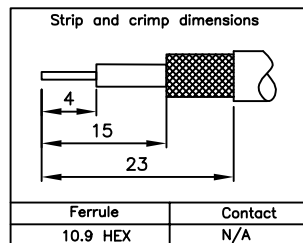
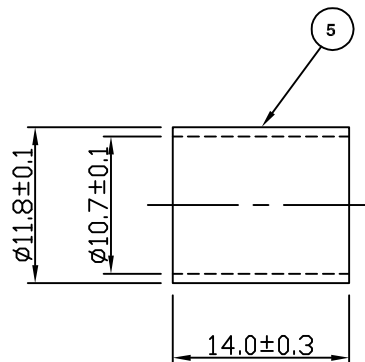
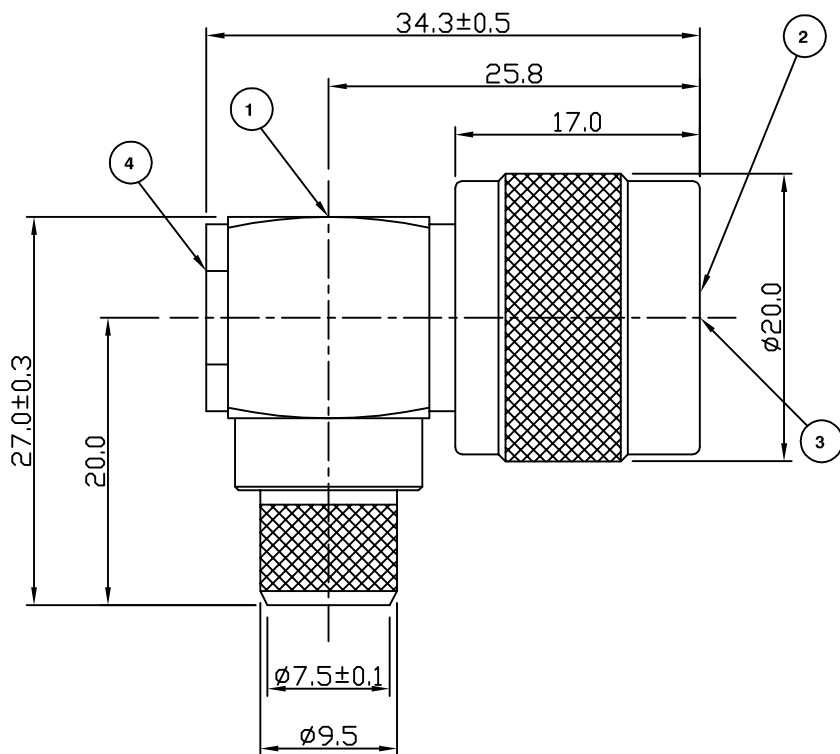


RoHS COMPLIANT



Electrical Characteristics

Nominal Impedance: 50 ohms
 Frequency Range: DC to 4 GHz
 VSWR: 1.35:1 maximum
 Insertion Loss: 0.2 dB at 4 GHz
 Operating Voltage (rms): 1000 V maximum at sea level
 Dielectric Withstand Voltage (rms): 2500 V maximum at sea level
 Contact Resistance: 1.0 milliohms maximum
 Insulation Resistance: 5000 megohms minimum

Mechanical Characteristics

Mating Cycles: 500 cycles minimum
 Interface Dimensions: Conform to MIL-C-39012

Environmental Characteristics

Temperature Range: -65 °C to +165 °C

	PART	DESCRIPTION
1	Body	Brass, nickel plated 1.78 µm
2	Dielectric	PTFE
3	Contact	Brass, gold plated 0.076 µm - 0.127 µm
4	Cap	Brass, nickel plated 1.78 µm
5	Ferrule	Brass, nickel plated 1.78 µm

Strip And Crimp Dims	LB	4	26 Aug 09
CAD Issue	SN	3	31 July 02
Up Issued	SN	2	06 July 01
First Issue	PDC	1	12 July 00
DESCRIPTION OF REVISION	APPVD	ISS	DATE

For stripping and assembly instructions see Drawing Number: VAIN2101



Cinch Connectivity Solutions
 7 - 13 Russell Way
 Widford Industrial Estate
 Chelmsford, Essex,
 CM1 3AA, UK
 Tel: 01245 359515
 Fax: 01245 358938

SCALE: Not To Scale

DIMENSIONS: mm

TOLERANCES:
 ± 0.2mm unless
 otherwise stated

DRAWN BY:

S Nash

CHECKED BY:

P Couzens

APPROVED BY:

P Couzens

DATE:

31 July 02

TITLE:

N R/A Crimp Plug For
 RG213

PART NUMBER:

VN20-2020

PAGE: 1 of 1