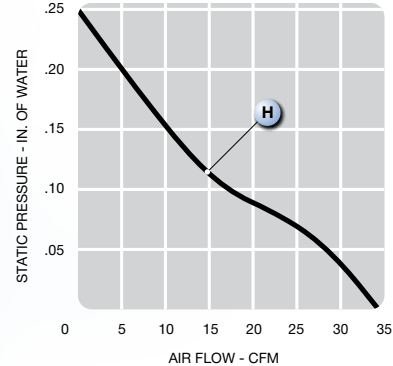
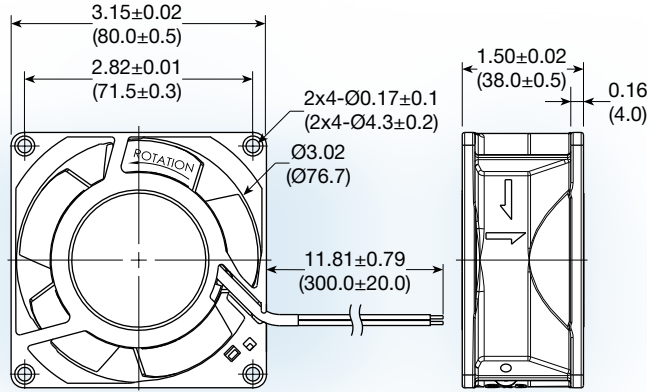


# UF80AM series



**(80 x 80 x 38 mm)**

3.15 x 3.15 x 1.50 inches

**Features:** high temp; -40°C ~+90°C, operating temperature range

**Operating Voltage:** 115 or 230 VAC

**Construction:** aluminium die cast frame; metal impeller

**Bearing option:** ball bearing with high temp lubricant

**Motor:** shaded pole - Class F insulation

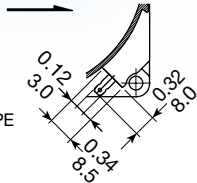
**Air Flow:** air exhaust over struts

**Connection:** terminal or 22 AWG lead wire

**Protection:** impedance

Air Flow

TERMINAL TYPE



Model No.	Rated Voltage V	Freq. HZ	Input Power W	Rated Cur. A	Speed RPM	Air Volume		Max. Sta tic Pressure (H <sub>2</sub> O)		Sound Noise dBa	Wt . g
						M <sup>3</sup> /Min.	CFM	MM	INCH		
<b>UF80AM11B-H</b>	115	60	11	0.13	3,250	0.96	34	6.6	0.26	40	390
<b>UF80AM23B-H</b>	230	60	11	0.07	3,250	0.96	34	6.6	0.26	40	390

