

Dual-Cell Li-Ion/Li-Polymer Battery Charge Management Controller with Input Overvoltage Protection

Features

- Complete Linear Charge Management Controller:
 - Integrated Input Overvoltage Protection
 - Integrated Pass Transistor
 - Integrated Current Sense
 - Integrated Reverse Discharge Protection
- Constant Current/Constant Voltage Operation with Thermal Regulation
- 4.15V Undervoltage Lockout (UVLO)
- 13V Input Overvoltage Protection
- High Accuracy Preset Voltage Regulation through Full Temperature Range (-5°C to +55°C ±0.6%)
- Battery Charge Voltage Options:
 - 8.20V, 8.40V, 8.7V or 8.8V
- Resistor Programmable Fast Charge Current:
 - 130 mA-1100 mA
- Preconditioning of Deeply Depleted Cells:
 - Available Options: 10% or Disable
- Integrated Precondition Timer:
 - 32 Minutes or Disable
- Automatic End-of-Charge Control:
 - Selectable Minimum Current Ratio: 5%, 7.5%, 10% or 20%
 - Elapse Safety Timer: 4 hr., 6 hr., 8 hr. or Disable
- Automatic Recharge:
 - Available Options: 95% or Disable
- Factory Preset Charge Status Output:
 - On/Off or Flashing
- Soft Start
- Temperature Range: -40°C to +85°C
- Packaging: DFN-10 (3 mm x 3 mm)

Applications

- Digital Camcorders
- Portable Media Players
- Ultra Mobile Personal Computers
- Netbook Computers
- Handheld Devices
- Walkie-Talkie
- Low-Cost 2-Cell Li-Ion/Li-Poly Chargers/Cradles

Description

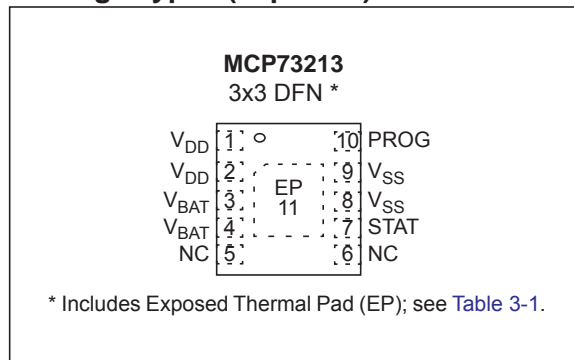
The MCP73213 is a highly integrated Li-Ion battery charge management controller for use in space-limited and cost-sensitive applications. The MCP73213 provides specific charge algorithms for dual-cell Li-Ion/Li-Polymer batteries to achieve optimal capacity and safety in the shortest charging time possible. Along with its small physical size, the low number of external components makes the MCP73213 ideally suitable for portable applications. The absolute maximum voltage, up to 18V, allows the use of MCP73213 in harsh environments, such as low-cost wall wart or voltage spikes from plug/unplug.

The MCP73213 employs a constant current/constant voltage charge algorithm. The various charging voltage regulations provide design engineers flexibility to use in different applications. The fast charge, constant current value is set with one external resistor from 130 mA to 1100 mA. The MCP73213 limits the charge current based on die temperature during high-power or high-ambient conditions. This thermal regulation optimizes the charge cycle time while maintaining device reliability.

The PROG pin of the MCP73213 also serves as enable pin. When high impedance is applied, the MCP73213 will be in Standby mode.

The MCP73213 is fully specified over the ambient temperature range of -40°C to +85°C. The MCP73213 is available in a 10-lead DFN package.

Package Types (Top View)



MCP73213

Typical Application

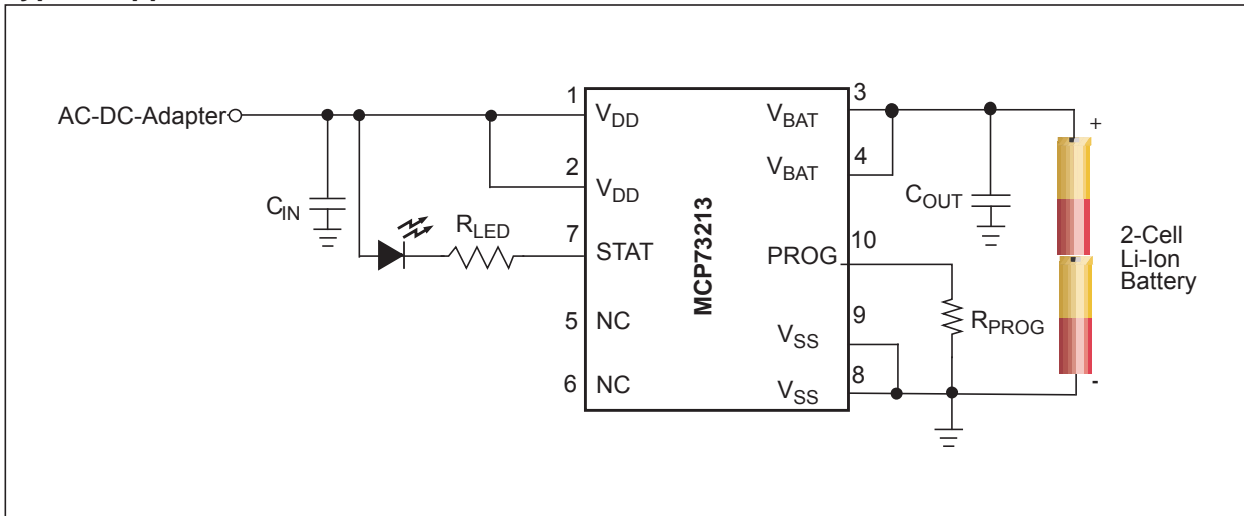


TABLE 1: AVAILABLE FACTORY PRESET OPTIONS

| Charge Voltage | OVP | Preconditioning Charge Current | Preconditioning Threshold | Precondition Timer | Elapse Timer | End-of-Charge Control | Automatic Recharge | Output Status |
|----------------|-----|--------------------------------|---------------------------|------------------------|----------------------------|-----------------------|--------------------|-------------------|
| 8.2V | 13V | Disable/10% | 66.5%/71.5% | Disable/ 32 Minimum | Disable/4 hr/ 6 hr/8 hr | 5%/7.5%/ 10%/20% | No/ Yes | Type 1/ Type 2 |
| 8.4V | 13V | Disable/10% | 66.5%/71.5% | Disable/ 32 Minimum | Disable/4 hr/ 6 hr/8 hr | 5%/7.5%/ 10%/20% | No/ Yes | Type 1/ Type 2 |
| 8.7V | 13V | Disable/10% | 66.5%/71.5% | Disable/ 32 Minimum | Disable/4 hr/ 6 hr/8 hr | 5%/7.5%/ 10%/20% | No/ Yes | Type 1/ Type 2 |
| 8.8V | 13V | Disable/10% | 66.5%/71.5% | Disable/ 32 Minimum | Disable/4 hr/ 6 hr/8 hr | 5%/7.5%/ 10%/20% | No/ Yes | Type 1/ Type 2 |

- Note 1:** I_{REG} : Regulated fast charge current.
2: V_{REG} : Regulated charge voltage.
3: I_{PREG}/I_{REG} : Preconditioning charge current; ratio of regulated fast charge current.
4: I_{TERM}/I_{REG} : End-of-Charge control; ratio of regulated fast charge current.
5: V_{RTH}/V_{REG} : Recharge threshold; ratio of regulated battery voltage.
6: V_{PTH}/V_{REG} : Preconditioning threshold voltage.
7: Type 1: On/Off; Type 2: Flashing. Please refer to [Table 5-2](#).

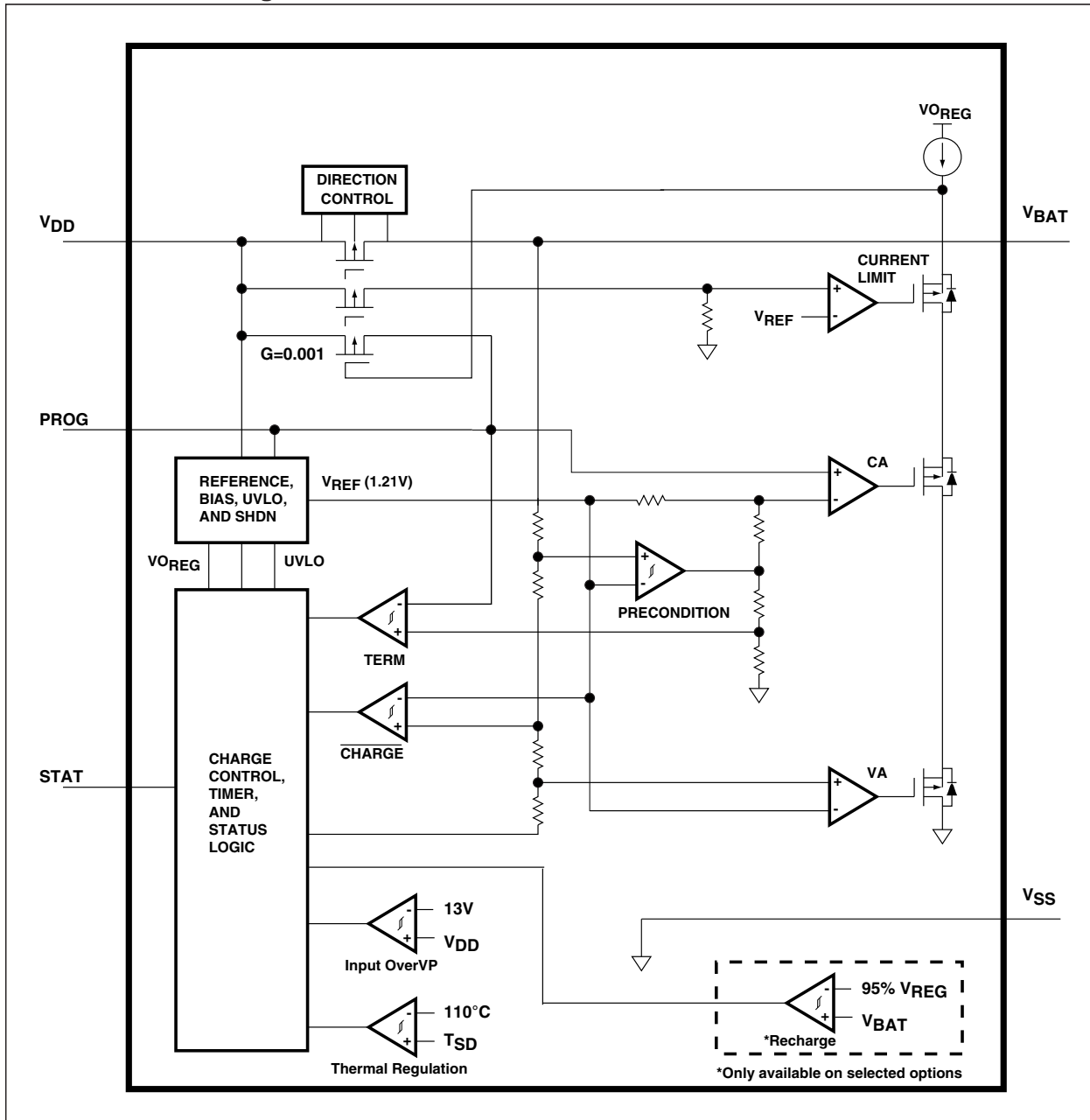
TABLE 2: STANDARD SAMPLE OPTIONS

| Part Number | V_{REG} | OVP | I_{PREG}/I_{REG} | Precharge Timer | Elapse Timer | I_{TERM}/I_{REG} | V_{RTH}/V_{REG} | V_{PTH}/V_{REG} | Output Status |
|-----------------|-----------|-----|--------------------|-----------------|--------------|--------------------|-------------------|-------------------|---------------|
| MCP73213-B6S/MF | 8.20V | 13V | 10% | 32 Minimum | 6 hr | 10% | 95% | 71.5% | Type 1 |
| MCP73213-A6S/MF | 8.40V | 13V | 10% | 32 Minimum | 6 hr | 10% | 95% | 71.5% | Type 1 |

- Note 1:** Customers should contact their distributor, representatives or field application engineer (FAE) for support and sample. Local sales offices are also available to help customers. A listing of sales offices and locations is included at the back of this document. Technical support is available through the web site at: <http://www.microchip.com/support>

MCP73213

Functional Block Diagram



1.0 ELECTRICAL CHARACTERISTICS

Absolute Maximum Ratings†

| | |
|--|---------------------------------|
| V _{DD} | 18.0V |
| V _{PROG} | 6.0V |
| All Inputs and Outputs w.r.t. V _{SS} | -0.3 to (V _{DD} +0.3)V |
| Maximum Junction Temperature, T _J .Internally Limited | |
| Storage Temperature | -65°C to +150°C |
| ESD Protection on All Pins | ≥ 4 kV HBM |
| ESD Protection on All Pins | ≥ 300V MM |

† **Notice:** Stresses above those listed under “Maximum Ratings” may cause permanent damage to the device. This is a stress rating only and functional operation of the device at those or any other conditions above those indicated in the operational listings of this specification is not implied. Exposure to maximum rating conditions for extended periods may affect device reliability.

DC CHARACTERISTICS

| Electrical Specifications: Unless otherwise indicated, all limits apply for V _{DD} = [V _{REG} (Typical) + 0.3V] to 12V, T _A = -40°C to +85°C. Typical values are at +25°C, V _{DD} = [V _{REG} (Typical) + 1.0V] | | | | | | |
|---|---|------|------|------|-------|---|
| Parameters | Sym. | Min. | Typ. | Max. | Units | Conditions |
| Supply Input | | | | | | |
| Input Voltage Range | V _{DD} | 4 | — | 16 | V | |
| Operating Supply Voltage | V _{DD} | 4.2 | — | 13 | V | |
| Supply Current | I _{SS} | — | 4 | 5.5 | μA | Shutdown (V _{DD} ≤ V _{BAT} – 150 mV) |
| | | — | 700 | 1500 | μA | Charging |
| | | — | 50 | 125 | μA | Standby (PROG Floating) |
| | | — | 50 | 150 | μA | Charge Complete; No Battery; V _{DD} < V _{STOP} |
| Battery Discharge Current | | | | | | |
| Output Reverse Leakage Current | I _{DISCHARGE} | — | 0.5 | 2 | μA | Standby (PROG Floating) |
| | | — | 0.5 | 2 | μA | Shutdown (V _{DD} ≤ V _{BAT} or V _{DD} < V _{STOP}) |
| | | — | 10 | 17 | μA | Charge Complete; V _{DD} is present |
| Undervoltage Lockout | | | | | | |
| UVLO Start Threshold | V _{START} | 4.10 | 4.15 | 4.25 | V | |
| UVLO Stop Threshold | V _{STOP} | 4.00 | 4.05 | 4.10 | V | |
| UVLO Hysteresis | V _{HYS} | — | 100 | — | mV | |
| Overvoltage Protection | | | | | | |
| OVP Start Threshold | V _{OVP} | 12.8 | 13 | 13.2 | V | |
| OVP Hysteresis | V _{OVPHYS} | — | 150 | — | mV | |
| Voltage Regulation (Constant Voltage Mode) | | | | | | |
| Regulated Output Voltage Options | V _{REG} | 8.15 | 8.20 | 8.25 | V | T _A = -5°C to +55°C V _{DD} = [V _{REG} (Typical)+1V] I _{OUT} = 50 mA |
| | | 8.35 | 8.40 | 8.45 | V | |
| | | 8.65 | 8.70 | 8.75 | V | |
| | | 8.75 | 8.80 | 8.85 | V | |
| Output Voltage Tolerance | V _{RTOL} | -0.6 | — | 0.6 | % | |
| Line Regulation | ΔV _{BAT} /V _{BAT} / ΔV _{DD} | — | 0.05 | 0.20 | %/V | V _{DD} = [V _{REG} (Typical)+1V] to 12V I _{OUT} = 50 mA |
| Load Regulation | ΔV _{BAT} /V _{BAT} | — | 0.05 | 0.20 | % | I _{OUT} = 50 mA – 150 mA V _{DD} = [V _{REG} (Typical)+1V] |

Note 1: Not production tested. Ensured by design.

MCP73213

DC CHARACTERISTICS (CONTINUED)

| Electrical Specifications: Unless otherwise indicated, all limits apply for $V_{DD} = [V_{REG}(\text{Typical}) + 0.3V]$ to 12V, $T_A = -40^\circ\text{C}$ to $+85^\circ\text{C}$. Typical values are at $+25^\circ\text{C}$, $V_{DD} = [V_{REG}(\text{Typical}) + 1.0V]$ | | | | | | |
|---|--------------------|--------------------------|---------------------------|---------------------------|---------------|---|
| Parameters | Sym. | Min. | Typ. | Max. | Units | Conditions |
| Supply Ripple Attenuation | PSRR | — | -46 | — | dB | $I_{OUT} = 20\text{ mA}$, 10 Hz to 1 kHz |
| | | — | -30 | — | dB | $I_{OUT} = 20\text{ mA}$, 10 Hz to 10 kHz |
| Battery Short Protection | | | | | | |
| BSP Start Threshold | V_{SHORT} | — | 3.4 | — | V | |
| BSP Hysteresis | V_{BSPHYS} | — | 150 | — | mV | |
| BSP Regulation Current | I_{SHORT} | — | 25 | — | mA | |
| Current Regulation (Fast Charge, Constant-Current Mode) | | | | | | |
| Fast Charge Current Regulation | I_{REG} | 130 | — | 1100 | mA | $T_A = -5^\circ\text{C}$ to $+55^\circ\text{C}$ |
| | | 117 | 130 | 143 | mA | PROG = 10 k Ω |
| | | 900 | 1000 | 1100 | mA | PROG = 1.1 k Ω |
| Preconditioning Current Regulation (Trickle Charge Constant-Current Mode) | | | | | | |
| Precondition Current Ratio | I_{PREG}/I_{REG} | — | 10 | — | % | PROG = 1 k Ω to 10 k Ω $T_A = -5^\circ\text{C}$ to $+55^\circ\text{C}$ |
| | | — | 100 | — | % | No Preconditioning |
| Precondition Voltage Threshold Ratio | V_{PTH}/V_{REG} | 64 | 66.5 | 69 | % | V_{BAT} Low-to-High |
| | | 69 | 71.5 | 74 | % | V_{BAT} Low-to-High |
| Precondition Hysteresis | V_{PHYS} | — | 100 | — | mV | V_{BAT} High-to-Low (Note 1) |
| Charge Termination | | | | | | |
| Charge Termination Current Ratio | I_{TERM}/I_{REG} | 3.7 | 5 | 6.3 | % | PROG = 1 k Ω to 10 k Ω $T_A = -5^\circ\text{C}$ to $+55^\circ\text{C}$ |
| | | 5.6 | 7.5 | 9.4 | % | |
| | | 7.5 | 10 | 12.5 | % | |
| | | 15 | 20 | 25 | % | |
| Automatic Recharge | | | | | | |
| Recharge Voltage Threshold Ratio | V_{RTH}/V_{REG} | 93 | 95.0 | 97 | % | V_{BAT} High-to-Low |
| | | — | 0 | — | % | No Automatic Recharge |
| Pass Transistor ON-Resistance | | | | | | |
| ON-Resistance | R_{DSON} | — | 350 | — | m Ω | $V_{DD} = 4.5V$, $T_J = 105^\circ\text{C}$ (Note 1) |
| Status Indicator - STAT | | | | | | |
| Sink Current | I_{SINK} | — | 20 | 35 | mA | |
| Low Output Voltage | V_{OL} | — | 0.2 | 0.5 | V | $I_{SINK} = 4\text{ mA}$ |
| Input Leakage Current | I_{LK} | — | 0.001 | 1 | μA | High Impedance, V_{DD} on pin |
| PROG Input | | | | | | |
| Charge Impedance Range | R_{PROG} | 1 | — | 22 | k Ω | |
| Shutdown Impedance | R_{PROG} | — | 200 | — | k Ω | Impedance for Shutdown |
| Automatic Power-Down | | | | | | |
| Automatic Power-Down Entry Threshold | V_{PENTRY} | $V_{BAT} + 10\text{ mV}$ | $V_{BAT} + 50\text{ mV}$ | — | V | V_{DD} Falling |
| Automatic Power-Down Exit Threshold | V_{PEXIT} | — | $V_{BAT} + 150\text{ mV}$ | $V_{BAT} + 250\text{ mV}$ | V | V_{DD} Rising |

Note 1: Not production tested. Ensured by design.

DC CHARACTERISTICS (CONTINUED)

Electrical Specifications: Unless otherwise indicated, all limits apply for $V_{DD} = [V_{REG}(\text{Typical}) + 0.3V]$ to 12V, $T_A = -40^\circ\text{C}$ to $+85^\circ\text{C}$. Typical values are at $+25^\circ\text{C}$, $V_{DD} = [V_{REG}(\text{Typical}) + 1.0V]$

| Parameters | Sym. | Min. | Typ. | Max. | Units | Conditions |
|----------------------------|-------------|------|------|------|------------------|------------|
| Thermal Shutdown | | | | | | |
| Die Temperature | T_{SD} | — | 150 | — | $^\circ\text{C}$ | |
| Die Temperature Hysteresis | T_{SDHYS} | — | 10 | — | $^\circ\text{C}$ | |

Note 1: Not production tested. Ensured by design.

AC CHARACTERISTICS

Electrical Specifications: Unless otherwise specified, all limits apply for $V_{DD} = [V_{REG}(\text{Typical}) + 0.3V]$ to 12V, $T_A = -40^\circ\text{C}$ to $+85^\circ\text{C}$. Typical values are at $+25^\circ\text{C}$, $V_{DD} = [V_{REG}(\text{Typical}) + 1.0V]$

| Parameters | Sym. | Min. | Typ. | Max. | Units | Conditions |
|------------------------------|----------------|------|------|------|---------------|---|
| Elapsed Timer | | | | | | |
| Elapsed Timer Period | $t_{EL-APSED}$ | — | 0 | — | Hours | Timer Disabled |
| | | 3.6 | 4.0 | 4.4 | Hours | |
| | | 5.4 | 6.0 | 6.6 | Hours | |
| | | 7.2 | 8.0 | 8.8 | Hours | |
| Preconditioning Timer | | | | | | |
| Preconditioning Timer Period | t_{PRECHG} | — | 0 | — | Hours | Disabled Timer |
| | | 0.4 | 0.5 | 0.6 | Hours | |
| Status Indicator | | | | | | |
| Status Output Turn-Off | t_{OFF} | — | — | 500 | μs | $I_{SINK} = 1 \text{ mA to } 0 \text{ mA}$ (Note 1) |
| Status Output Turn-On | t_{ON} | — | — | 500 | μs | $I_{SINK} = 0 \text{ mA to } 1 \text{ mA}$ (Note 1) |

Note 1: Not production tested. Ensured by design.

TEMPERATURE SPECIFICATIONS

Electrical Specifications: Unless otherwise indicated, all limits apply for $V_{DD} = [V_{REG}(\text{Typical}) + 0.3V]$ to 6V. Typical values are at $+25^\circ\text{C}$, $V_{DD} = [V_{REG}(\text{Typical}) + 1.0V]$

| Parameters | Sym. | Min. | Typ. | Max. | Units | Conditions |
|------------------------------------|---------------|------|------|------|--------------------|---|
| Temperature Ranges | | | | | | |
| Specified Temperature Range | T_A | -40 | — | +85 | $^\circ\text{C}$ | |
| Operating Temperature Range | T_J | -40 | — | +125 | $^\circ\text{C}$ | |
| Storage Temperature Range | T_A | -65 | — | +150 | $^\circ\text{C}$ | |
| Thermal Package Resistances | | | | | | |
| Thermal Resistance, DFN-10LD (3x3) | θ_{JA} | — | 62 | — | $^\circ\text{C/W}$ | 4-Layer JC51-7 Standard Board, Natural Convection |
| | θ_{JC} | — | 20.5 | — | $^\circ\text{C/W}$ | |

MCP73213

NOTES:

2.0 TYPICAL PERFORMANCE CURVES

Note: The graphs and tables provided following this note are a statistical summary based on a limited number of samples and are provided for informational purposes only. The performance characteristics listed herein are not tested or guaranteed. In some graphs or tables, the data presented may be outside the specified operating range (e.g., outside specified power supply range) and therefore outside the warranted range.

Note: Unless otherwise indicated, $V_{DD} = [V_{REG}(Typical) + 1V]$, $T_A = +25^\circ\text{C}$, Constant Voltage mode.

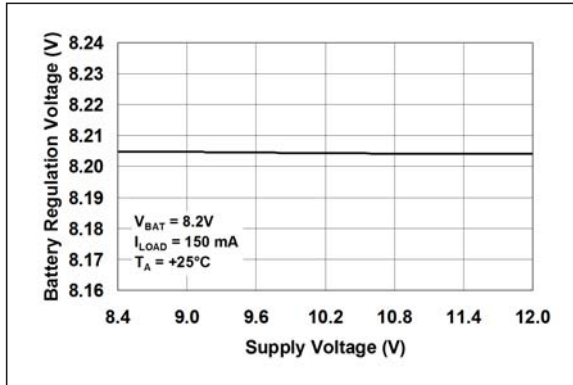


FIGURE 2-1: Battery Regulation Voltage (V_{BAT}) vs. Supply Voltage (V_{DD}).

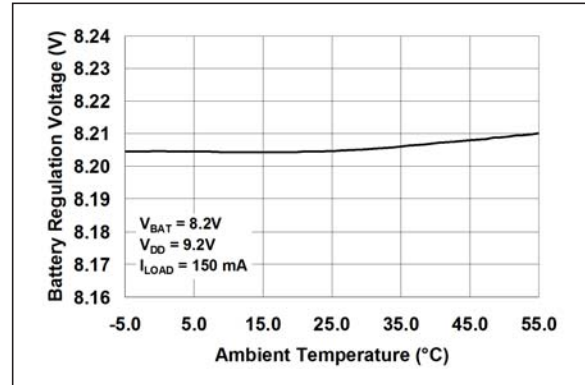


FIGURE 2-4: Battery Regulation Voltage (V_{BAT}) vs. Ambient Temperature (T_A).

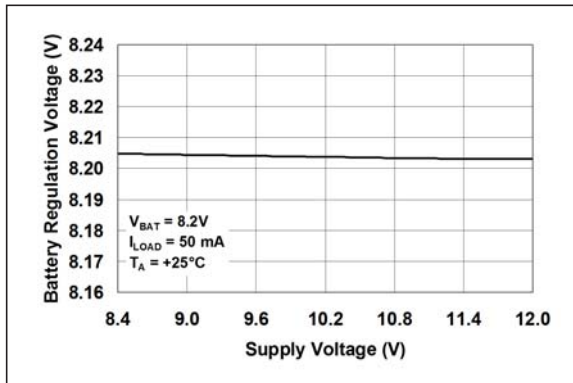


FIGURE 2-2: Battery Regulation Voltage (V_{BAT}) vs. Supply Voltage (V_{DD}).

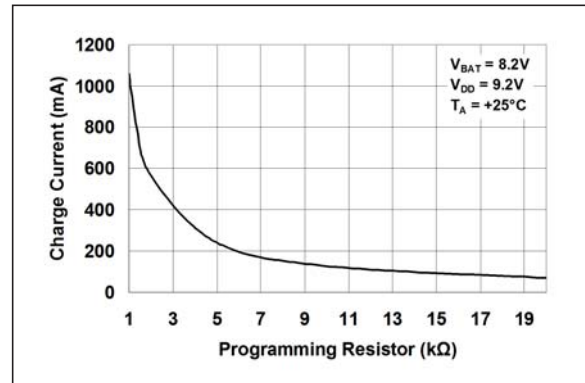


FIGURE 2-5: Charge Current (I_{OUT}) vs. Programming Resistor (R_{PROG}).

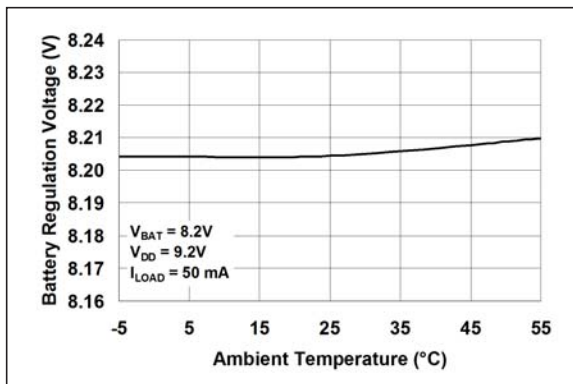


FIGURE 2-3: Battery Regulation Voltage (V_{BAT}) vs. Ambient Temperature (T_A).

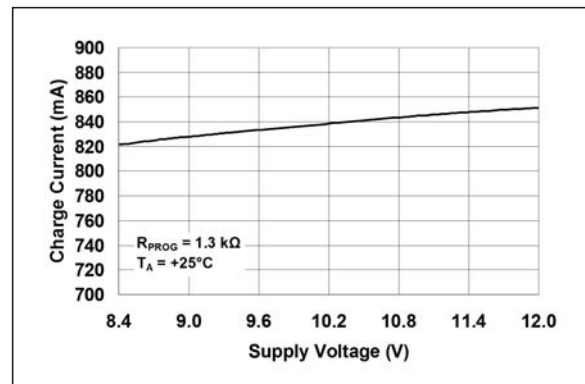


FIGURE 2-6: Charge Current (I_{OUT}) vs. Supply Voltage (V_{DD}).

MCP73213

TYPICAL PERFORMANCE CURVES (CONTINUED)

Note: Unless otherwise indicated, $V_{DD} = [V_{REG}(Typical) + 1V]$, $T_A = +25^\circ C$, Constant-voltage mode.

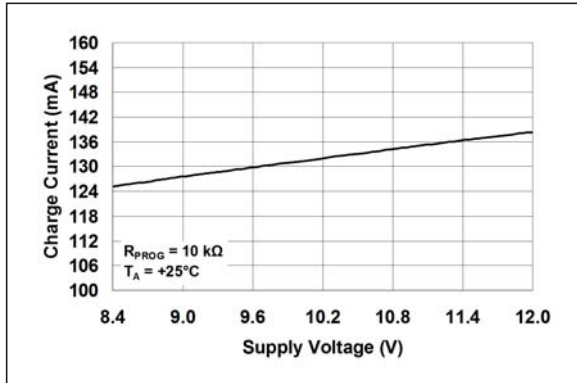


FIGURE 2-7: Charge Current (I_{OUT}) vs. Supply Voltage (V_{DD}).

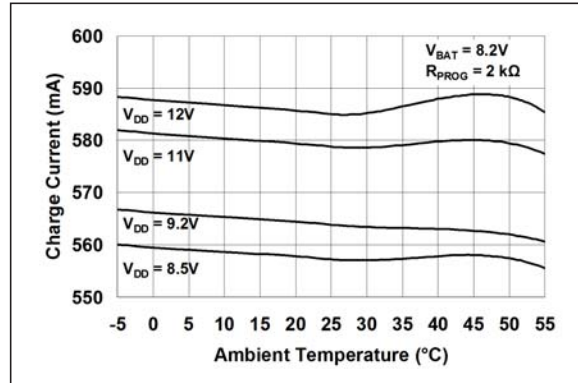


FIGURE 2-10: Charge Current (I_{OUT}) vs. Ambient Temperature (T_A).

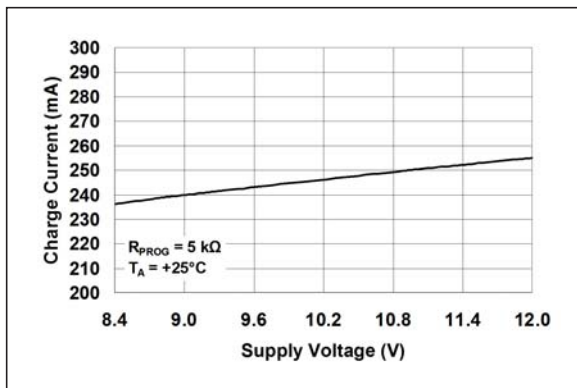


FIGURE 2-8: Charge Current (I_{OUT}) vs. Supply Voltage (V_{DD}).

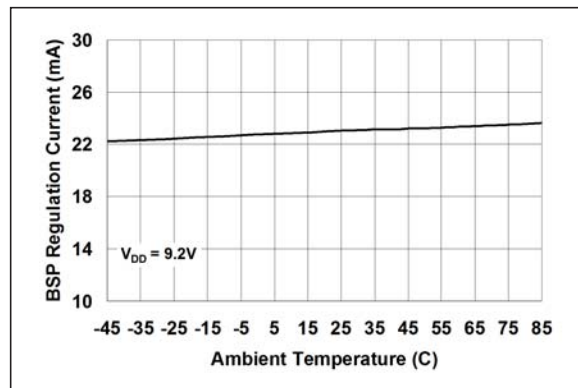


FIGURE 2-11: Battery Short Protection Regulation Current (I_{SHORT}) vs. Ambient Temperature (T_A).

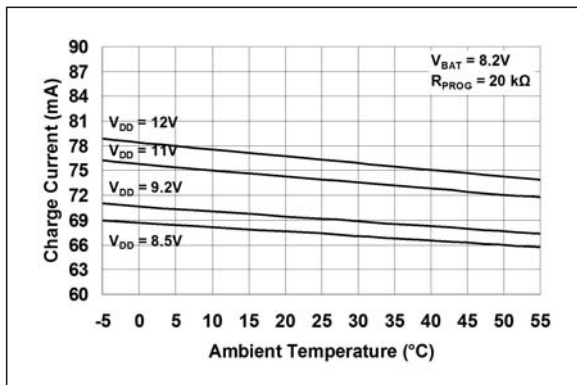


FIGURE 2-9: Charge Current (I_{OUT}) vs. Ambient Temperature (T_A).

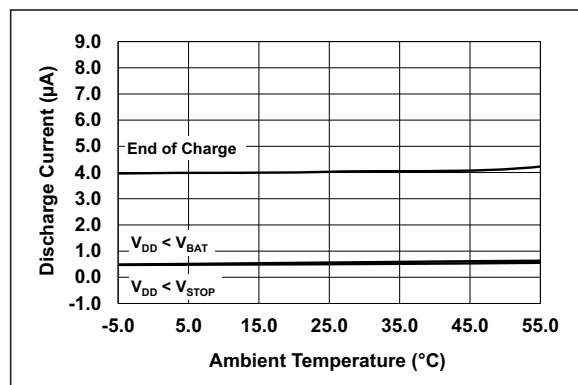


FIGURE 2-12: Output Leakage Current ($I_{DISCHARGE}$) vs. Ambient Temperature (T_A).

TYPICAL PERFORMANCE CURVES (CONTINUED)

Note: Unless otherwise indicated, $V_{DD} = [V_{REG}(Typical) + 1V]$, $T_A = +25^\circ C$, Constant-voltage mode.

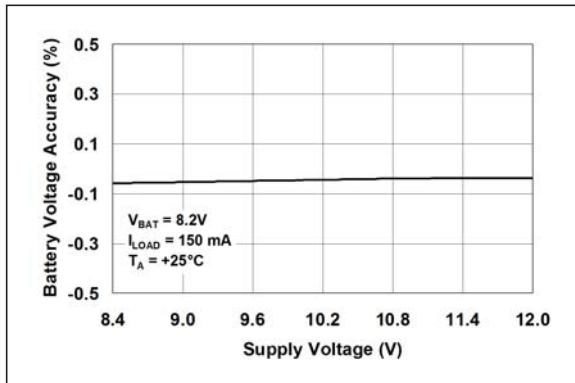


FIGURE 2-13: Battery Voltage Accuracy (V_{RTOI}) vs. Supply Voltage (V_{DD}).

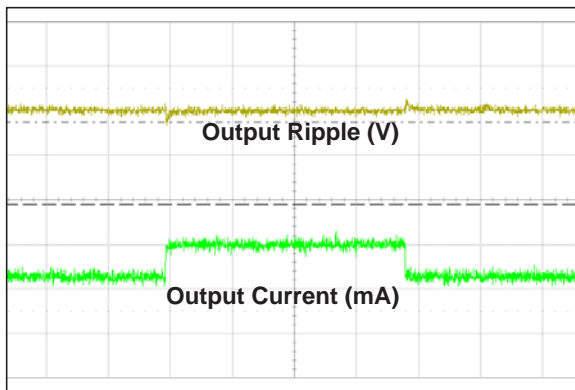


FIGURE 2-14: Load Transient Response ($I_{LOAD} = 50 \text{ mA/Div}$, Output: 100 mV/Div , Time: $100 \mu\text{s/Div}$).

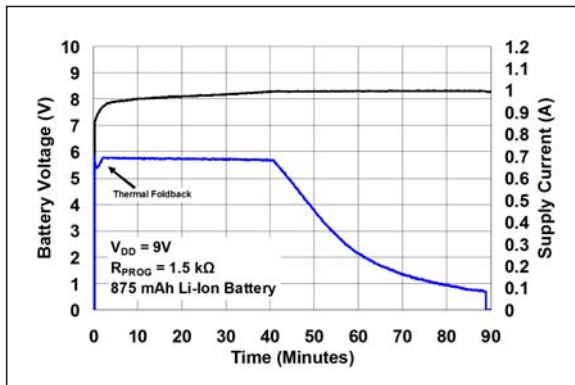


FIGURE 2-15: Complete Charge Cycle.

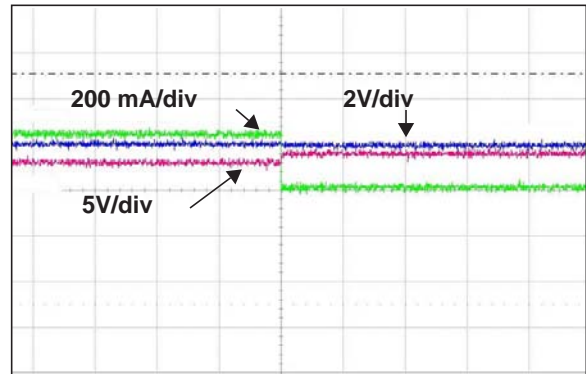


FIGURE 2-16: Input Overvoltage Protection

($V_{IN} = 5V/Div$, $V_{BAT} = 2V/Div$, $I_{LOAD} = 200 \text{ mA/Div}$, Time: 200 ms/Div)

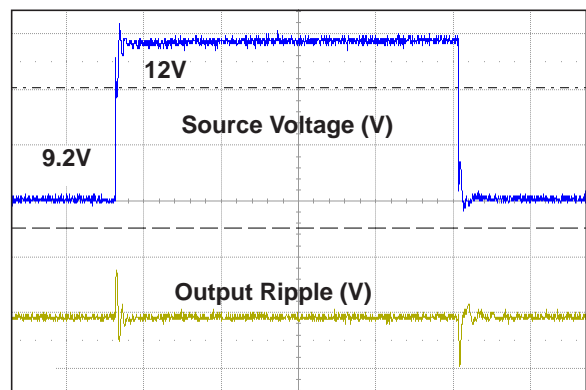


FIGURE 2-17: Line Transient Response ($I_{LOAD} = 10 \text{ mA}$, $V_{IN} = 1V/Div$, $V_{OUT} = 100 \text{ mV/Div}$, Time: $100 \mu\text{s/Div}$).

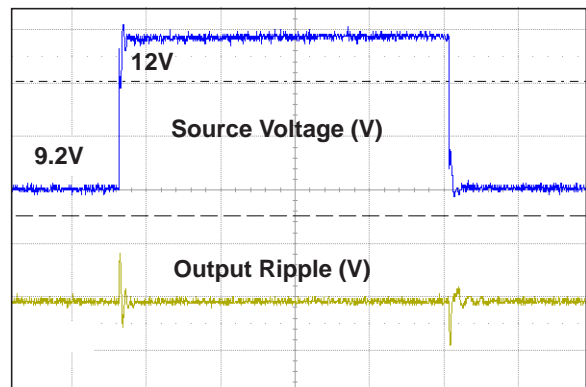


FIGURE 2-18: Line Transient Response ($I_{LOAD} = 100 \text{ mA}$, $V_{IN} = 1V/Div$, $V_{OUT} = 100 \text{ mV/Div}$, Time: $100 \mu\text{s/Div}$).

MCP73213

NOTES:

3.0 PIN DESCRIPTION

The descriptions of the pins are listed in [Table 3-1](#).

TABLE 3-1: PIN FUNCTION TABLE

| MCP73213 | Symbol | I/O | Description |
|----------|------------------|-----|---|
| DFN-10 | | | |
| 1, 2 | V _{DD} | I | Battery Management Input Supply Pin |
| 3, 4 | V _{BAT} | I/O | Battery Charge Control Output Pin |
| 5, 6 | NC | — | No Connection Pin |
| 7 | STAT | O | Battery Charge Status Output Pin |
| 8, 9 | V _{SS} | — | Battery Management 0V Reference Pin |
| 10 | PROG | I/O | Battery Charge Current Regulation Program and Charge Control Enable Pin |
| 11 | EP | — | Exposed Pad Pin |

3.1 Battery Management Input Supply (V_{DD})

A supply voltage of [V_{REG} (Typical) + 0.3V] to 13.0V is recommended. Bypass to V_{SS} with a minimum of 1 μF. The V_{DD} pin is rated 18V absolute maximum to prevent a sudden rise in input voltage from spikes or low-cost AC-DC wall adapters from causing an over-voltage condition and damaging the device.

3.2 Battery Charge Control Output (V_{BAT})

Connect to the positive terminal of the battery. Bypass to V_{SS} with a minimum of 1 μF to ensure loop stability when the battery is disconnected.

3.3 No Connection (NC)

No connection.

3.4 Status Output (STAT)

STAT is an open-drain logic output for connection to an LED for charge status indication in stand-alone applications. Alternatively, a pull-up resistor can be applied for interfacing to a host microcontroller. Refer to [Table 5-2](#) for a summary of the status output during a charge cycle.

3.5 Battery Management 0V Reference (V_{SS})

Connect to the negative terminal of the battery and input supply.

3.6 Current Regulation Set (PROG)

The fast charge current is set by placing a resistor from PROG to V_{SS} during constant current (CC) mode. PROG pin also serves as charge control enable. When a typical 200 kΩ impedance is applied to the PROG pin, the MCP73213 will go into standby mode until the high impedance is removed. Refer to [Section 5.5 “Constant-Current Mode - Fast Charge”](#) for details.

3.7 Exposed Pad (EP)

Connect the Exposed Thermal Pad (EP) to the exposed copper area on the Printed Circuit Board (PCB) for thermal enhancement. Additional vias in the copper area under the MCP73213 device can improve heat dissipation performance and simplify the assembly process.

MCP73213

NOTES:

4.0 DEVICE OVERVIEW

The MCP73213 are simple, but fully integrated linear charge management controllers. Figure 4-1 depicts the operational flow algorithm.

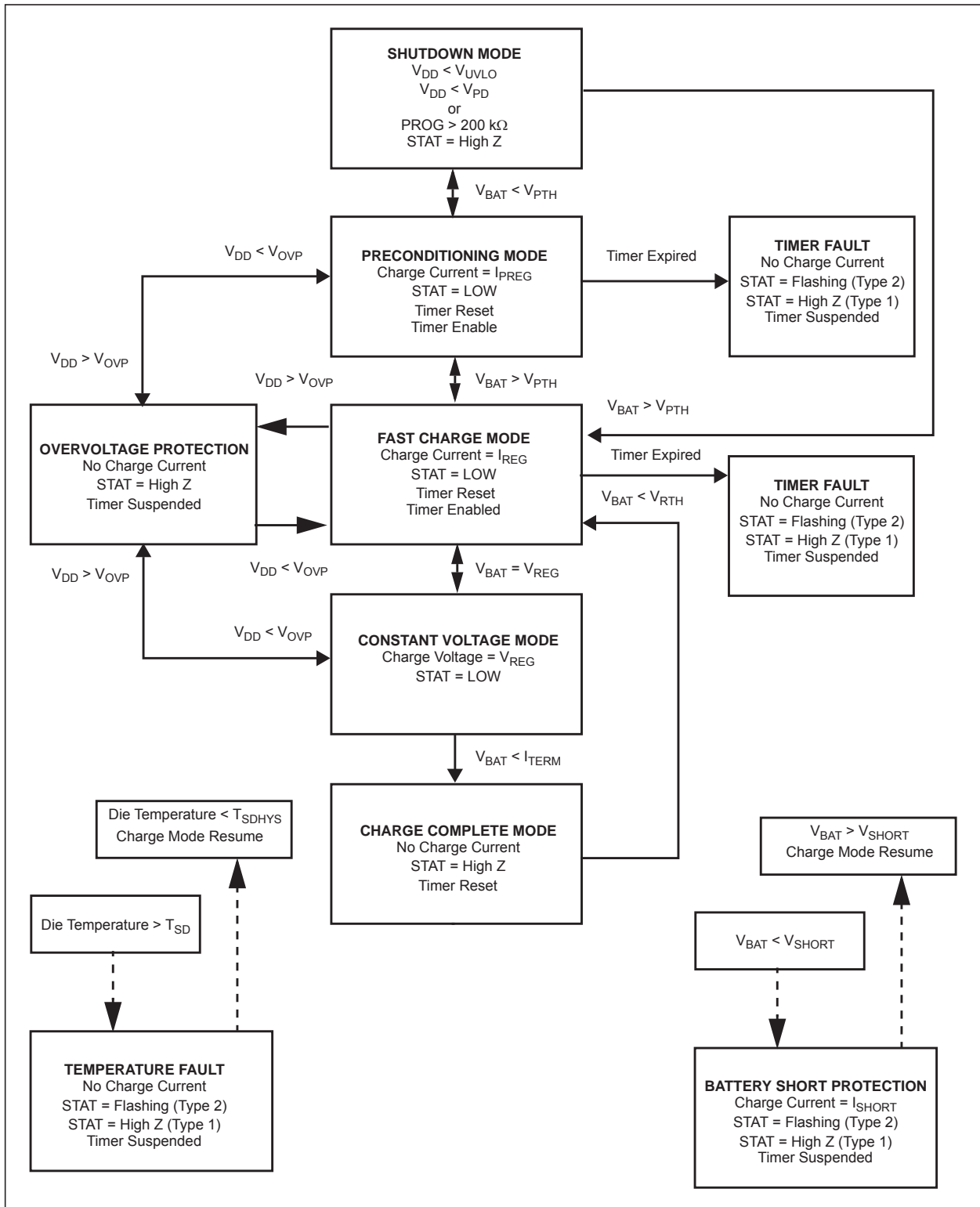


FIGURE 4-1: The MCP73213 Flow Chart.

MCP73213

NOTES:

5.0 DETAILED DESCRIPTION

5.1 Undervoltage Lockout (UVLO)

An internal undervoltage lockout (UVLO) circuit monitors the input voltage and keeps the charger in shutdown mode until the input supply rises above the UVLO threshold. In the event a battery is present when the input power is applied, the input supply must rise approximately 150 mV above the battery voltage before the MCP73213 device becomes operational.

The UVLO circuit places the device in shutdown mode if the input supply falls to approximately 150 mV above the battery voltage. The UVLO circuit is always active. Any time the input supply is below the UVLO threshold or approximately 150 mV of the voltage at the V_{BAT} pin, the MCP73213 device is placed in a shutdown mode.

5.2 Overvoltage Protection (OVP)

An internal overvoltage protection (OVP) circuit monitors the input voltage and keeps the charger in shutdown mode when the input supply rises above the typical 13V OVP threshold. The OVP hysteresis is approximately 150 mV for the MCP73213 device.

The MCP73213 device is operational between UVLO and OVP thresholds. The OVP circuit is also recognized as overvoltage lockout (OVLO).

5.3 Charge Qualification

When the input power is applied, the input supply must rise 150 mV above the battery voltage before the MCP73213 becomes operational.

The automatic power-down circuit places the device in a shutdown mode if the input supply falls to within +50 mV of the battery voltage.

The automatic circuit is always active. At any time the input supply is within +50 mV of the voltage at the V_{BAT} pin, the MCP73213 is placed in a shutdown mode.

For a charge cycle to begin, the automatic power-down conditions must be met and the charge enable input must be above the input high threshold.

5.3.1 BATTERY MANAGEMENT INPUT SUPPLY (V_{DD})

The V_{DD} input is the input supply to the MCP73213. The MCP73213 automatically enters a power-down mode if the voltage on the V_{DD} input falls to within +50 mV of the battery voltage. This feature prevents draining the battery pack when the V_{DD} supply is not present.

5.3.2 BATTERY CHARGE CONTROL OUTPUT (V_{BAT})

The battery charge control output is the drain terminal of an internal P-channel MOSFET. The MCP73213 provides constant current and voltage regulation to the battery pack by controlling this MOSFET in the linear region. The battery charge control output should be connected to the positive terminal of the battery pack.

5.3.3 BATTERY DETECTION

The MCP73213 detects the battery presence with charging of the output capacitor. The charge flow will initiate when the voltage on V_{BAT} is pulled below the $V_{RECHARGE}$ threshold. Refer to [Section 1.0 “Electrical Characteristics”](#) for $V_{RECHARGE}$ values. The value will be the same for nonrechargeable devices.

When $V_{BAT} > V_{REG} + \text{Hysteresis}$, the charge will be suspended (or not started, depending on the condition) to prevent overcharging.

5.4 Preconditioning

If the voltage at the V_{BAT} pin is less than the preconditioning threshold, the MCP73213 device enters a preconditioning mode. The preconditioning threshold is factory set. Refer to [Section 1.0 “Electrical Characteristics”](#) for preconditioning threshold options.

In this mode, the MCP73213 device supplies 10% of the fast charge current (established with the value of the resistor connected to the PROG pin) to the battery.

When the voltage at the V_{BAT} pin rises above the preconditioning threshold, the MCP73213 device enters the Constant Current (Fast Charge) mode.

| |
|---|
| Note: The MCP73213 device also offers options with no preconditioning. |
|---|

5.4.1 TIMER EXPIRED DURING PRECONDITIONING MODE

If the internal timer expires before the voltage threshold is reached for Fast Charge mode, a timer fault is indicated and the charge cycle terminates. The MCP73213 device remains in this condition until the battery is removed or input power is cycled. If the battery is removed, the MCP73213 device enters the Standby mode, where it remains until a battery is reinserted.

| |
|--|
| Note: The typical preconditioning timer for MCP73213 is 32 minutes. The MCP73213 also offers options with no preconditioning timer. |
|--|

MCP73213

5.5 Constant-Current Mode - Fast Charge

During Constant-Current mode, the programmed charge current is supplied to the battery or load.

The charge current is established using a single resistor from PROG to V_{SS}. The program resistor and the charge current are calculated using the following equation:

EQUATION 5-1:

$$I_{REG} = 1104 \times R_{PROG}^{-0.93}$$

Where:

R_{PROG} = kilohm (kΩ)
 I_{REG} = milliampere (mA)

EQUATION 5-2:

$$R_{PROG} = 10^{\left(\log\left(\frac{I_{REG}}{1104}\right)\right)/(-0.93)}$$

Where:

R_{PROG} = kilohm (kΩ)
 I_{REG} = milliampere (mA)

Table 5-1 provides commonly seen E96 (1%) and E24 (5%) resistors for various charge current to reduce design time.

TABLE 5-1: RESISTOR LOOKUP TABLE

| Charge Current (mA) | Recommended E96 Resistor (Ω) | Recommended E24 Resistor (Ω) |
|---------------------|------------------------------|------------------------------|
| 130 | 10k | 10k |
| 150 | 8.45k | 8.20k |
| 200 | 6.20k | 6.20k |
| 250 | 4.99k | 5.10k |
| 300 | 4.02k | 3.90k |
| 350 | 3.40k | 3.30k |
| 400 | 3.00k | 3.00k |
| 450 | 2.61k | 2.70k |
| 500 | 2.32k | 2.37k |
| 550 | 2.10k | 2.20k |
| 600 | 1.91k | 2.00k |
| 650 | 1.78k | 1.80k |
| 700 | 1.62k | 1.60k |
| 750 | 1.50k | 1.50k |
| 800 | 1.40k | 1.50k |
| 850 | 1.33k | 1.30k |
| 900 | 1.24k | 1.20k |
| 950 | 1.18k | 1.20k |
| 1000 | 1.10k | 1.10k |
| 1100 | 1.00k | 1.00k |

Constant-Current mode is maintained until the voltage at the V_{BAT} pin reaches the regulation voltage, V_{REG}. When Constant Current mode is invoked, the internal timer is reset.

5.5.1 TIMER EXPIRED DURING CONSTANT-CURRENT - FAST CHARGE MODE

If the internal timer expires before the recharge voltage threshold is reached, a timer fault is indicated and the charge cycle terminates. The MCP73213 device remains in this condition until the battery is removed. If the battery is removed or input power is cycled, the MCP73213 device enters the Standby mode where it remains until a battery is reinserted.

5.6 Constant-Voltage Mode

When the voltage at the V_{BAT} pin reaches the regulation voltage, V_{REG}, constant voltage regulation begins. The regulation voltage is factory set to 8.2V, 8.4V, 8.7V or 8.8V with a tolerance of ± 0.5%.

5.7 Charge Termination

The charge cycle is terminated when, during Constant-Voltage mode, the average charge current diminishes below a threshold established with the value of 5%, 7.5%, 10% or 20% of fast charge current or the internal timer expires. A 1 ms filter time on the termination comparator ensures that transient load conditions do not result in premature charge cycle termination. The timer period is factory set and can be disabled. Refer to Section 1.0 “Electrical Characteristics” for timer period options.

5.8 Automatic Recharge

The MCP73213 device continuously monitors the voltage at the V_{BAT} pin in the charge complete mode. If the voltage drops below the recharge threshold, another charge cycle begins and current is once again supplied to the battery or load. The recharge threshold is factory set. Refer to Section 1.0 “Electrical Characteristics” for recharge threshold options.

Note: The MCP73213 also offers options with no automatic recharge.

For the MCP73213 device with no recharge option, the MCP73213 will go into Standby mode when the termination condition is met. The charge will not restart until the following conditions have been met:

- Battery is removed from the system and inserted again
- V_{DD} is removed and plugged in again
- R_{PROG} is disconnected (or high-impedance) and reconnected

5.9 Thermal Regulation

The MCP73213 shall limit the charge current based on the die temperature. The thermal regulation optimizes the charge cycle time while maintaining device reliability. Figure 5-1 depicts the thermal regulation for the MCP73213 device. Refer to Section 1.0 “Electrical Characteristics” for thermal package resistances and Section 6.1.1.2 “Thermal Considerations” for calculating power dissipation.

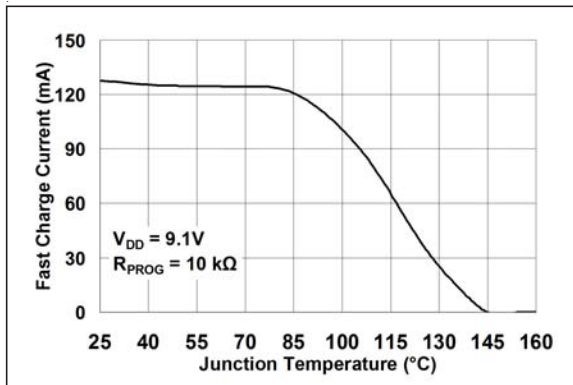


FIGURE 5-1: Thermal Regulation.

5.10 Thermal Shutdown

The MCP73213 suspends charge if the die temperature exceeds +150°C. Charging will resume when the die temperature has cooled by approximately 10°C. The thermal shutdown is a secondary safety feature in the event that there is a failure within the thermal regulation circuitry.

5.11 Status Indicator

The charge status outputs are open-drain outputs with two different states: Low (L), and High-Impedance (High Z). The charge status outputs can be used to illuminate LEDs. Optionally, the charge status outputs can be used as an interface to a host microcontroller. Table 5-2 summarizes the state of the status outputs during a charge cycle.

TABLE 5-2: STATUS OUTPUTS

| CHARGE CYCLE STATE | STAT |
|------------------------------|--|
| Shutdown | High Z |
| Standby | High Z |
| Preconditioning | L |
| Constant Current Fast Charge | L |
| Constant Voltage | L |
| Charge Complete - Standby | High Z |
| Temperature Fault | 1.6 second 50% D.C. Flashing (Type 2) High Z (Type 1) |
| Timer Fault | 1.6 second 50% D.C. Flashing (Type 2) High Z (Type 1) |
| Preconditioning Timer Fault | 1.6 second 50% D.C. Flashing (Type 2) High Z (Type 1) |

5.12 Battery Short Protection

Once a single-cell Li-Ion battery is detected, an internal battery short protection (BSP) circuit starts monitoring the battery voltage. When V_{BAT} falls below a typical 1.7V battery short protection threshold voltage, the charging behavior is postponed. A typical 25 mA detection current is supplied for recovering from the battery short condition.

Preconditioning mode resumes when V_{BAT} raises above the battery short protection threshold. The battery voltage must rise approximately 150 mV above the battery short protection voltage before the MCP73213 device becomes operational.

MCP73213

NOTES:

6.0 APPLICATIONS

The MCP73213 is designed to operate in conjunction with a host microcontroller or in stand-alone applications. The MCP73213 provides the preferred charge algorithm for dual Lithium-Ion or Lithium-Polymer cells: Constant Current followed by Constant Voltage. [Figure 6-1](#) depicts a typical stand-alone application circuit, while [Figure 6-2](#) depicts the accompanying charge profile.

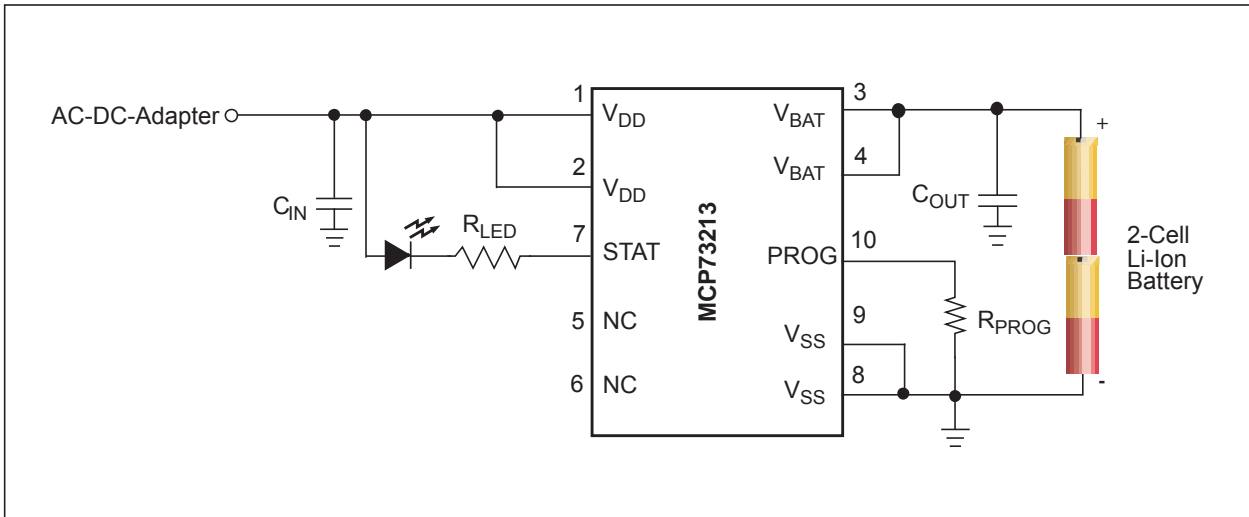


FIGURE 6-1: Typical Application Circuit.

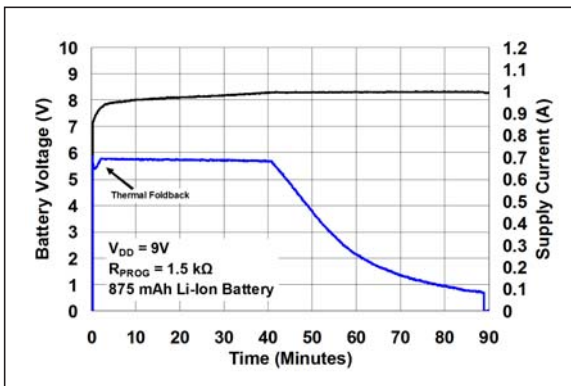


FIGURE 6-2: Typical Charge Profile (875 mAh Li-Ion Battery).

MCP73213

6.1 Application Circuit Design

Due to the low efficiency of linear charging, the most important factors are thermal design and cost, which are a direct function of the input voltage, output current and thermal impedance between the battery charger and the ambient cooling air. The worst-case situation is when the device has transitioned from the Preconditioning mode to the Constant Current mode. In this situation, the battery charger has to dissipate the maximum power. A trade-off must be made between the charge current, cost and thermal requirements of the charger.

6.1.1 COMPONENT SELECTION

Selection of the external components in [Figure 6-1](#) is crucial to the integrity and reliability of the charging system. The following discussion is intended as a guide for the component selection process.

6.1.1.1 Charge Current

The preferred fast charge current for Li-Ion/Li-Poly cells is below the 1C rate, with an absolute maximum current at the 2C rate. **The recommended fast charge current should be obtained from the battery manufacturer.** For example, a 500 mAh battery pack with 0.7C preferred fast charge current has a charge current of 350 mA. Charging at this rate provides the shortest charge cycle times without degradation to the battery pack performance or life.

Note: Please consult with your battery supplier or refer to the battery data sheet for the preferred charge rate.

6.1.1.2 Thermal Considerations

The worst-case power dissipation in the battery charger occurs when the input voltage is at the maximum and the device has transitioned from Preconditioning mode to Constant-Current mode. In this case, the power dissipation is:

EQUATION 6-1:

$$PowerDissipation = (V_{DDMAX} - V_{PTHMIN}) \times I_{REGMAX}$$

Where:

V_{DDMAX} = the maximum input voltage
 I_{REGMAX} = the maximum fast charge current
 V_{PTHMIN} = the minimum transition threshold voltage

Power dissipation with a 9V, $\pm 10\%$ input voltage source, 350 mA $\pm 10\%$ and preconditioning threshold voltage at 6V is:

EQUATION 6-2:

$$Power\ dissipation = (9.9V - 6.0V) \times 385\ mA = 1.50W$$

This power dissipation with the battery charger in the DFN-10 package will result approximately 93°C above room temperature.

6.1.1.3 External Capacitors

The MCP73213 is stable with or without a battery load. In order to maintain good AC stability in Constant-Voltage mode, a minimum capacitance of 1 μ F is recommended to bypass the V_{BAT} pin to V_{SS} . This capacitance provides compensation when there is no battery load. In addition, the battery and interconnections appear inductive at high frequencies. These elements are in the control feedback loop during Constant Voltage mode. Therefore, bypass capacitance may be necessary to compensate for the inductive nature of the battery pack.

For typical applications, it is recommended to apply a minimum of 16V rated 1 μ F to the output capacitor and a minimum of 25V rated 1 μ F to the input capacitor.

TABLE 6-1: MLCC CAPACITOR EXAMPLE

| MLCC Capacitors | Temperature Range | Tolerance |
|-----------------|-------------------|------------|
| X7R | -55°C to +125°C | $\pm 15\%$ |
| X5R | -55°C to +85°C | $\pm 15\%$ |

Virtually any good quality output filter capacitor can be used independent of the capacitor's minimum Effective Series Resistance (ESR) value. The actual value of the capacitor (and its associated ESR) depends on the output load current. A 1 μ F ceramic, tantalum or aluminum electrolytic capacitor at the output is usually sufficient to ensure stability.

6.1.1.4 Reverse-Blocking Protection

The MCP73213 provides protection from a faulted or shorted input. Without the protection, a faulted or shorted input would discharge the battery pack through the body diode of the internal pass transistor.

6.2 PCB Layout Issues

For optimum voltage regulation, place the battery pack as close as possible to the device's V_{BAT} and V_{SS} pins to minimize voltage drops along the high-current-carrying PCB traces.

If the PCB layout is used as a heatsink, adding multiple vias in the heatsink pad can help conduct more heat to the backplane of the PCB, thus reducing the junction temperature. Figures 6-4 and 6-5 depict a typical layout with PCB heatsinking.

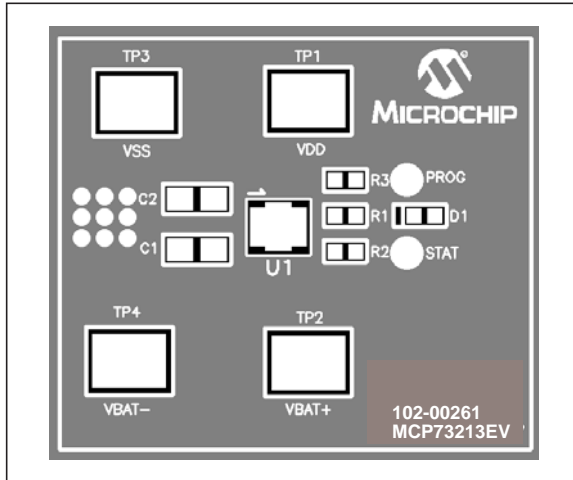


FIGURE 6-3: Typical Layout (Top).

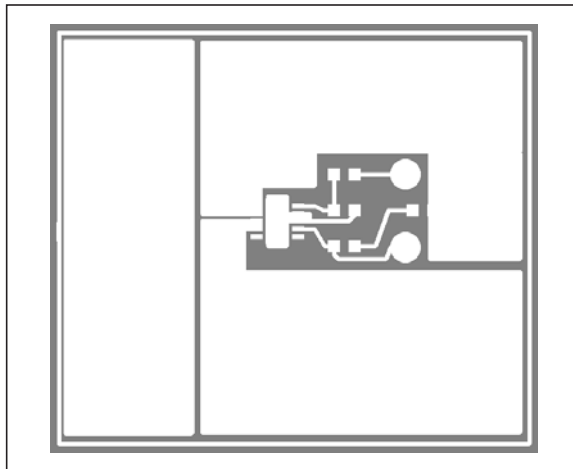


FIGURE 6-4: Typical Layout (Top Metal).

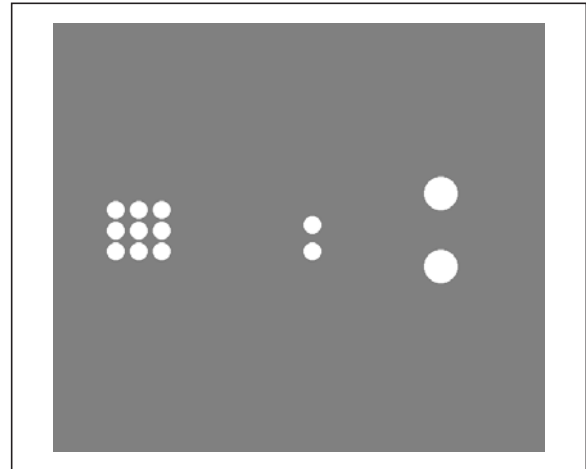


FIGURE 6-5: Typical Layout (Bottom).

MCP73213

NOTES:

7.0 PACKAGING INFORMATION

7.1 Package Marking Information

10-Lead DFN (3x3)

| |
|------|
| XXXX |
| YYWW |
| NNN |

| Standard * | |
|-------------------|------|
| Part Number | Code |
| MCP73213-A6SI/MF | Z3HI |
| MCP73213T-A6SI/MF | Z3HI |
| MCP73213-B6SI/MF | Y3HI |
| MCP73213T-B6SI/MF | Y3HI |

Example:

| |
|------|
| Z3HI |
| 1443 |
| 256 |

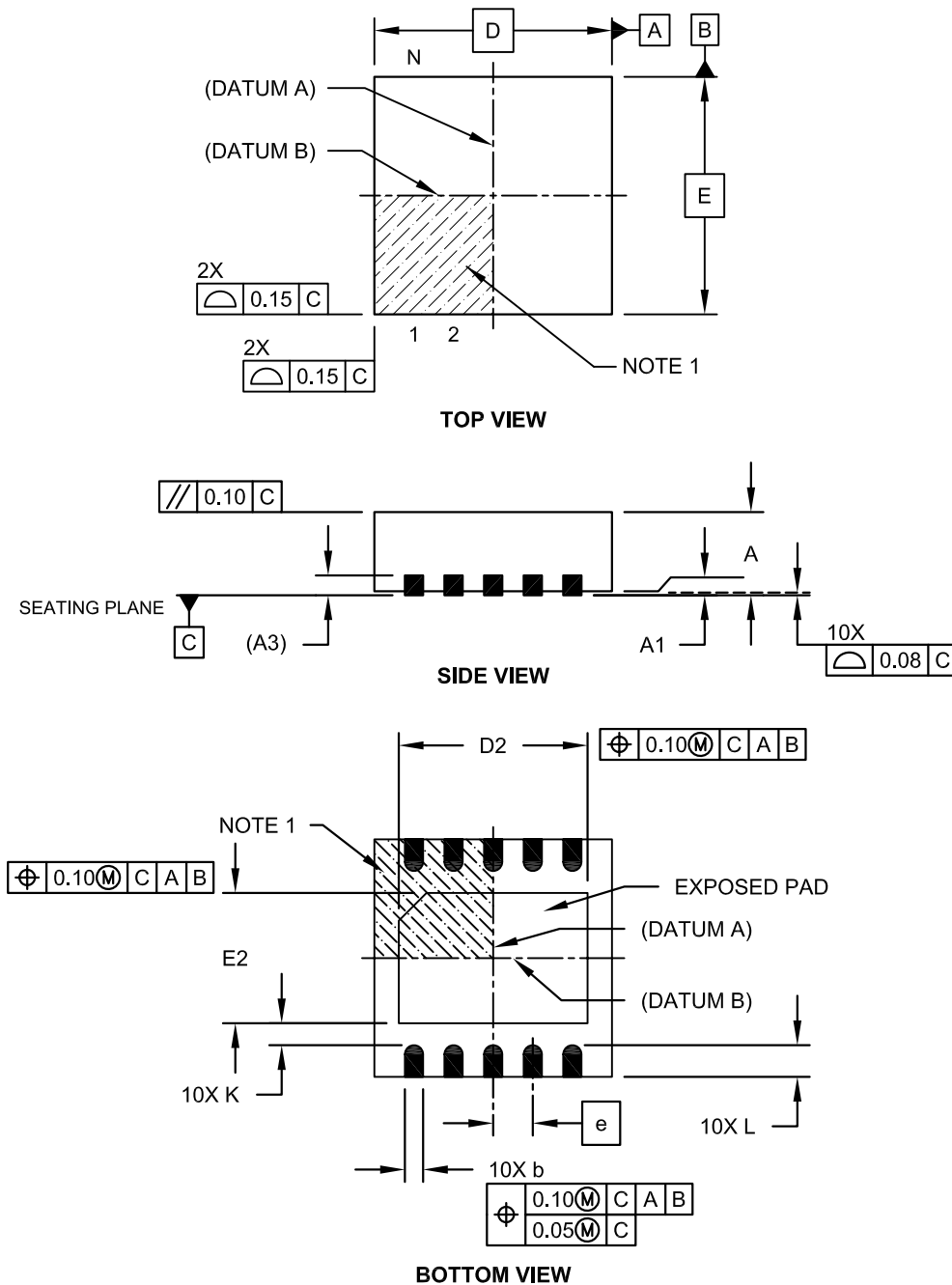
Legend: XX...X Customer-specific information
 Y Year code (last digit of calendar year)
 YY Year code (last 2 digits of calendar year)
 WW Week code (week of January 1 is week '01')
 NNN Alphanumeric traceability code
 Ⓔ3 Pb-free JEDEC® designator for Matte Tin (Sn)
 * This package is Pb-free. The Pb-free JEDEC designator (Ⓔ3) can be found on the outer packaging for this package.

Note: In the event the full Microchip part number cannot be marked on one line, it will be carried over to the next line, thus limiting the number of available characters for customer-specific information.

MCP73213

10-Lead Plastic Dual Flat, No Lead Package (MF) - 3x3x0.9mm Body [DFN]

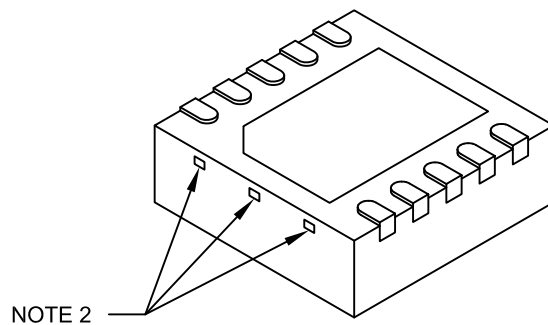
Note: For the most current package drawings, please see the Microchip Packaging Specification located at <http://www.microchip.com/packaging>



Microchip Technology Drawing No. C04-063C Sheet 1 of 2

10-Lead Plastic Dual Flat, No Lead Package (MF) - 3x3x0.9mm Body [DFN]

Note: For the most current package drawings, please see the Microchip Packaging Specification located at <http://www.microchip.com/packaging>



| Dimension Limits | Units | MILLIMETERS | | |
|------------------------|-------|-------------|------|------|
| | | MIN | NOM | MAX |
| Number of Pins | N | 10 | | |
| Pitch | e | 0.50 BSC | | |
| Overall Height | A | 0.80 | 0.90 | 1.00 |
| Standoff | A1 | 0.00 | 0.02 | 0.05 |
| Contact Thickness | A3 | 0.20 REF | | |
| Overall Length | D | 3.00 BSC | | |
| Exposed Pad Length | D2 | 2.15 | 2.35 | 2.45 |
| Overall Width | E | 3.00 BSC | | |
| Exposed Pad Width | E2 | 1.40 | 1.50 | 1.75 |
| Contact Width | b | 0.18 | 0.25 | 0.30 |
| Contact Length | L | 0.30 | 0.40 | 0.50 |
| Contact-to-Exposed Pad | K | 0.20 | - | - |

Notes:

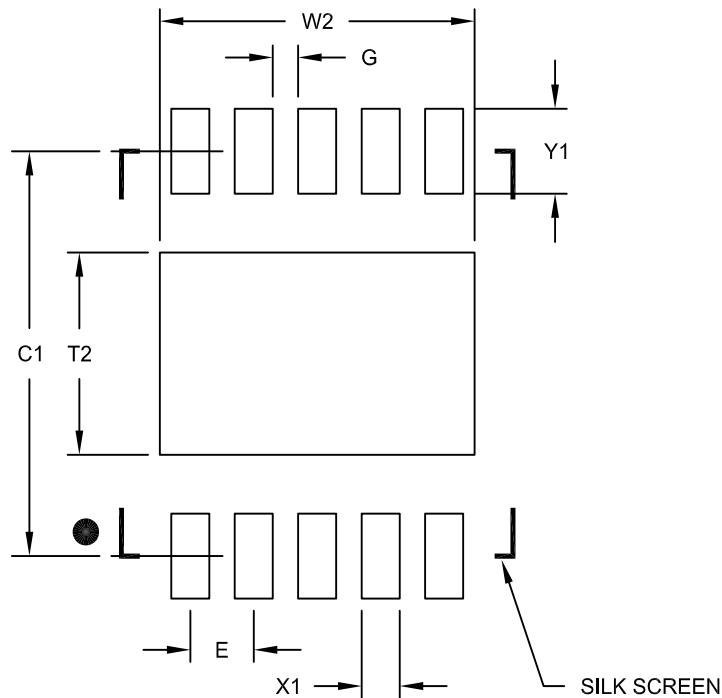
- Pin 1 visual index feature may vary, but must be located within the hatched area.
- Package may have one or more exposed tie bars at ends.
- Package is saw singulated.
- Dimensioning and tolerancing per ASME Y14.5M.
 BSC: Basic Dimension. Theoretically exact value shown without tolerances.
 REF: Reference Dimension, usually without tolerance, for information purposes only.

Microchip Technology Drawing No. C04-063C Sheet 2 of 2

MCP73213

10-Lead Plastic Dual Flat, No Lead Package (MF) - 3x3x0.9mm Body [DFN]

Note: For the most current package drawings, please see the Microchip Packaging Specification located at <http://www.microchip.com/packaging>



RECOMMENDED LAND PATTERN

| Dimension Limits | Units | MILLIMETERS | | |
|----------------------------|-------|-------------|------|------|
| | | MIN | NOM | MAX |
| Contact Pitch | E | 0.50 BSC | | |
| Optional Center Pad Width | W2 | | | 2.48 |
| Optional Center Pad Length | T2 | | | 1.55 |
| Contact Pad Spacing | C1 | | 3.10 | |
| Contact Pad Width (X10) | X1 | | | 0.30 |
| Contact Pad Length (X10) | Y1 | | | 0.65 |
| Distance Between Pads | G | 0.20 | | |

Notes:

1. Dimensioning and tolerancing per ASME Y14.5M

BSC: Basic Dimension. Theoretically exact value shown without tolerances.

Microchip Technology Drawing No. C04-2063B

APPENDIX A: REVISION HISTORY

Revision D (January 2018)

The following is the list of modifications:

1. Changed captions for [Figure 2-16](#), [Figure 2-17](#), [Figure 2-18](#).
2. Minor typographical corrections.

Revision C (December 2014)

The following is the list of modifications:

1. Added [Note 7](#) in [Table 1](#) regarding the Type 1 and Type 2 descriptions.
2. Updated the [Functional Block Diagram](#).
3. Updated the thermal resistances in the [Temperature Specifications](#).
4. Changed captions for the [Figures 2-7](#), [2-8](#), [2-15](#), [2-16](#).
5. Updated [Figure 4-1](#).
6. Updated [Section 6.1.1.2, Thermal Considerations](#).
7. Updated [Section 7.1, Package Marking Information](#).
8. Minor typographical corrections.

Revision B (December 2009)

The following is the list of modifications:

1. Updated the Battery Short Protection values in the [DC Characteristics](#) table.

Revision A (July 2009)

- Original Release of this Document.

MCP73213

NOTES:

PRODUCT IDENTIFICATION SYSTEM

To order or obtain information, e.g., on pricing or delivery, refer to the factory or the listed sales office.

| <u>PART NO.</u> | <u>[X]⁽¹⁾</u> | <u>X</u> | <u>/XX</u> | <u>XXX</u> | Examples: |
|---|-----------------------------|--------------------------|----------------|----------------|---|
| Device | Tape and Reel Option | Temperature Range | Package | Pattern | |
| <p>Device: MCP73213-xxx: Dual Cell Li-Ion/Li-Polymer Battery Device MCP73213T-xxx: Dual Cell Li-Ion/Li-Polymer Battery Device, Tape and Reel</p> <p>Tape and Reel Option: T = Tape and Reel⁽¹⁾</p> <p>Temperature Range: I = -40°C to +85°C (Industrial)</p> <p>Package: MF = 10-Lead Plastic Dual Flat, No Lead - 3x3 mm Body (DFN)</p> | | | | | <p>a) MCP73213-A6SI/MF: Dual Cell Li-Ion/Li-Polymer Battery Device</p> <p>b) MCP73213-B6SI/MF: Dual Cell Li-Ion/Li-Polymer Battery Device</p> <p>c) MCP73213T-A6SI/MF: Tape and Reel, Dual Cell Li-Ion/Li-Polymer Battery Device</p> <p>d) MCP73213T-B6SI/MF: Tape and Reel, Dual Cell Li-Ion/Li-Polymer Battery Device</p> |
| | | | | | <p>Note 1: Tape and Reel identifier only appears in the catalog part number description. This identifier is used for ordering purposes and is not printed on the device package. Check with your Microchip Sales Office for package availability with the Tape and Reel option.</p> |

MCP73213

NOTES:

Note the following details of the code protection feature on Microchip devices:

- Microchip products meet the specification contained in their particular Microchip Data Sheet.
- Microchip believes that its family of products is one of the most secure families of its kind on the market today, when used in the intended manner and under normal conditions.
- There are dishonest and possibly illegal methods used to breach the code protection feature. All of these methods, to our knowledge, require using the Microchip products in a manner outside the operating specifications contained in Microchip's Data Sheets. Most likely, the person doing so is engaged in theft of intellectual property.
- Microchip is willing to work with the customer who is concerned about the integrity of their code.
- Neither Microchip nor any other semiconductor manufacturer can guarantee the security of their code. Code protection does not mean that we are guaranteeing the product as “unbreakable.”

Code protection is constantly evolving. We at Microchip are committed to continuously improving the code protection features of our products. Attempts to break Microchip's code protection feature may be a violation of the Digital Millennium Copyright Act. If such acts allow unauthorized access to your software or other copyrighted work, you may have a right to sue for relief under that Act.

Information contained in this publication regarding device applications and the like is provided only for your convenience and may be superseded by updates. It is your responsibility to ensure that your application meets with your specifications. MICROCHIP MAKES NO REPRESENTATIONS OR WARRANTIES OF ANY KIND WHETHER EXPRESS OR IMPLIED, WRITTEN OR ORAL, STATUTORY OR OTHERWISE, RELATED TO THE INFORMATION, INCLUDING BUT NOT LIMITED TO ITS CONDITION, QUALITY, PERFORMANCE, MERCHANTABILITY OR FITNESS FOR PURPOSE. Microchip disclaims all liability arising from this information and its use. Use of Microchip devices in life support and/or safety applications is entirely at the buyer's risk, and the buyer agrees to defend, indemnify and hold harmless Microchip from any and all damages, claims, suits, or expenses resulting from such use. No licenses are conveyed, implicitly or otherwise, under any Microchip intellectual property rights unless otherwise stated.

Microchip received ISO/TS-16949:2009 certification for its worldwide headquarters, design and wafer fabrication facilities in Chandler and Tempe, Arizona; Gresham, Oregon and design centers in California and India. The Company's quality system processes and procedures are for its PIC® MCUs and dsPIC® DSCs, KEELoQ® code hopping devices, Serial EEPROMs, microperipherals, nonvolatile memory and analog products. In addition, Microchip's quality system for the design and manufacture of development systems is ISO 9001:2000 certified.

**QUALITY MANAGEMENT SYSTEM
CERTIFIED BY DNV
= ISO/TS 16949 =**

Trademarks

The Microchip name and logo, the Microchip logo, AnyRate, AVR, AVR logo, AVR Freaks, BeaconThings, BitCloud, chipKIT, chipKIT logo, CryptoMemory, CryptoRF, dsPIC, FlashFlex, flexPWR, Helder, JukeBlox, KEELoQ, KEELoQ logo, Kleer, LANCheck, LINK MD, maXStylus, maXTouch, MediaLB, megaAVR, MOST, MOST logo, MPLAB, OptoLyzer, PIC, picoPower, PICSTART, PIC32 logo, Prochip Designer, QTouch, RightTouch, SAM-BA, SpyNIC, SST, SST Logo, SuperFlash, tinyAVR, UNI/O, and XMEGA are registered trademarks of Microchip Technology Incorporated in the U.S.A. and other countries.

ClockWorks, The Embedded Control Solutions Company, EtherSynch, Hyper Speed Control, HyperLight Load, IntellIMOS, mTouch, Precision Edge, and Quiet-Wire are registered trademarks of Microchip Technology Incorporated in the U.S.A.

Adjacent Key Suppression, AKS, Analog-for-the-Digital Age, Any Capacitor, AnyIn, AnyOut, BodyCom, CodeGuard, CryptoAuthentication, CryptoCompanion, CryptoController, dsPICDEM, dsPICDEM.net, Dynamic Average Matching, DAM, ECAN, EtherGREEN, In-Circuit Serial Programming, ICSP, Inter-Chip Connectivity, JitterBlocker, KleerNet, KleerNet logo, Mindi, MiWi, motorBench, MPASM, MPF, MPLAB Certified logo, MPLIB, MPLINK, MultiTRAK, NetDetach, Omniscient Code Generation, PICDEM, PICDEM.net, PICKit, PICtail, PureSilicon, QMatrix, RightTouch logo, REAL ICE, Ripple Blocker, SAM-ICE, Serial Quad I/O, SMART-I.S., SQI, SuperSwitcher, SuperSwitcher II, Total Endurance, TSHARC, USBCheck, VariSense, ViewSpan, WiperLock, Wireless DNA, and ZENA are trademarks of Microchip Technology Incorporated in the U.S.A. and other countries.

SQTP is a service mark of Microchip Technology Incorporated in the U.S.A.

Silicon Storage Technology is a registered trademark of Microchip Technology Inc. in other countries.

GestIC is a registered trademark of Microchip Technology Germany II GmbH & Co. KG, a subsidiary of Microchip Technology Inc., in other countries.

All other trademarks mentioned herein are property of their respective companies.

© 2009-2018, Microchip Technology Incorporated, All Rights Reserved.

ISBN: 978-1-5224-2559-5



MICROCHIP

Worldwide Sales and Service

AMERICAS

Corporate Office
2355 West Chandler Blvd.
Chandler, AZ 85224-6199
Tel: 480-792-7200
Fax: 480-792-7277
Technical Support:
<http://www.microchip.com/support>
Web Address:
www.microchip.com

Atlanta
Duluth, GA
Tel: 678-957-9614
Fax: 678-957-1455

Austin, TX
Tel: 512-257-3370

Boston
Westborough, MA
Tel: 774-760-0087
Fax: 774-760-0088

Chicago
Itasca, IL
Tel: 630-285-0071
Fax: 630-285-0075

Dallas
Addison, TX
Tel: 972-818-7423
Fax: 972-818-2924

Detroit
Novi, MI
Tel: 248-848-4000

Houston, TX
Tel: 281-894-5983

Indianapolis
Noblesville, IN
Tel: 317-773-8323
Fax: 317-773-5453
Tel: 317-536-2380

Los Angeles
Mission Viejo, CA
Tel: 949-462-9523
Fax: 949-462-9608
Tel: 951-273-7800

Raleigh, NC
Tel: 919-844-7510

New York, NY
Tel: 631-435-6000

San Jose, CA
Tel: 408-735-9110
Tel: 408-436-4270

Canada - Toronto
Tel: 905-695-1980
Fax: 905-695-2078

ASIA/PACIFIC

Australia - Sydney
Tel: 61-2-9868-6733

China - Beijing
Tel: 86-10-8569-7000

China - Chengdu
Tel: 86-28-8665-5511

China - Chongqing
Tel: 86-23-8980-9588

China - Dongguan
Tel: 86-769-8702-9880

China - Guangzhou
Tel: 86-20-8755-8029

China - Hangzhou
Tel: 86-571-8792-8115

China - Hong Kong SAR
Tel: 852-2943-5100

China - Nanjing
Tel: 86-25-8473-2460

China - Qingdao
Tel: 86-532-8502-7355

China - Shanghai
Tel: 86-21-3326-8000

China - Shenyang
Tel: 86-24-2334-2829

China - Shenzhen
Tel: 86-755-8864-2200

China - Suzhou
Tel: 86-186-6233-1526

China - Wuhan
Tel: 86-27-5980-5300

China - Xian
Tel: 86-29-8833-7252

China - Xiamen
Tel: 86-592-2388138

China - Zhuhai
Tel: 86-756-3210040

ASIA/PACIFIC

India - Bangalore
Tel: 91-80-3090-4444

India - New Delhi
Tel: 91-11-4160-8631

India - Pune
Tel: 91-20-4121-0141

Japan - Osaka
Tel: 81-6-6152-7160

Japan - Tokyo
Tel: 81-3-6880-3770

Korea - Daegu
Tel: 82-53-744-4301

Korea - Seoul
Tel: 82-2-554-7200

Malaysia - Kuala Lumpur
Tel: 60-3-7651-7906

Malaysia - Penang
Tel: 60-4-227-8870

Philippines - Manila
Tel: 63-2-634-9065

Singapore
Tel: 65-6334-8870

Taiwan - Hsin Chu
Tel: 886-3-577-8366

Taiwan - Kaohsiung
Tel: 886-7-213-7830

Taiwan - Taipei
Tel: 886-2-2508-8600

Thailand - Bangkok
Tel: 66-2-694-1351

Vietnam - Ho Chi Minh
Tel: 84-28-5448-2100

EUROPE

Austria - Wels
Tel: 43-7242-2244-39
Fax: 43-7242-2244-393

Denmark - Copenhagen
Tel: 45-4450-2828
Fax: 45-4485-2829

Finland - Espoo
Tel: 358-9-4520-820

France - Paris
Tel: 33-1-69-53-63-20
Fax: 33-1-69-30-90-79

Germany - Garching
Tel: 49-8931-9700

Germany - Haan
Tel: 49-2129-3766400

Germany - Heilbronn
Tel: 49-7131-67-3636

Germany - Karlsruhe
Tel: 49-721-625370

Germany - Munich
Tel: 49-89-627-144-0
Fax: 49-89-627-144-44

Germany - Rosenheim
Tel: 49-8031-354-560

Israel - Ra'anana
Tel: 972-9-744-7705

Italy - Milan
Tel: 39-0331-742611
Fax: 39-0331-466781

Italy - Padova
Tel: 39-049-7625286

Netherlands - Drunen
Tel: 31-416-690399
Fax: 31-416-690340

Norway - Trondheim
Tel: 47-7289-7561

Poland - Warsaw
Tel: 48-22-3325737

Romania - Bucharest
Tel: 40-21-407-87-50

Spain - Madrid
Tel: 34-91-708-08-90
Fax: 34-91-708-08-91

Sweden - Gothenberg
Tel: 46-31-704-60-40

Sweden - Stockholm
Tel: 46-8-5090-4654

UK - Wokingham
Tel: 44-118-921-5800
Fax: 44-118-921-5820