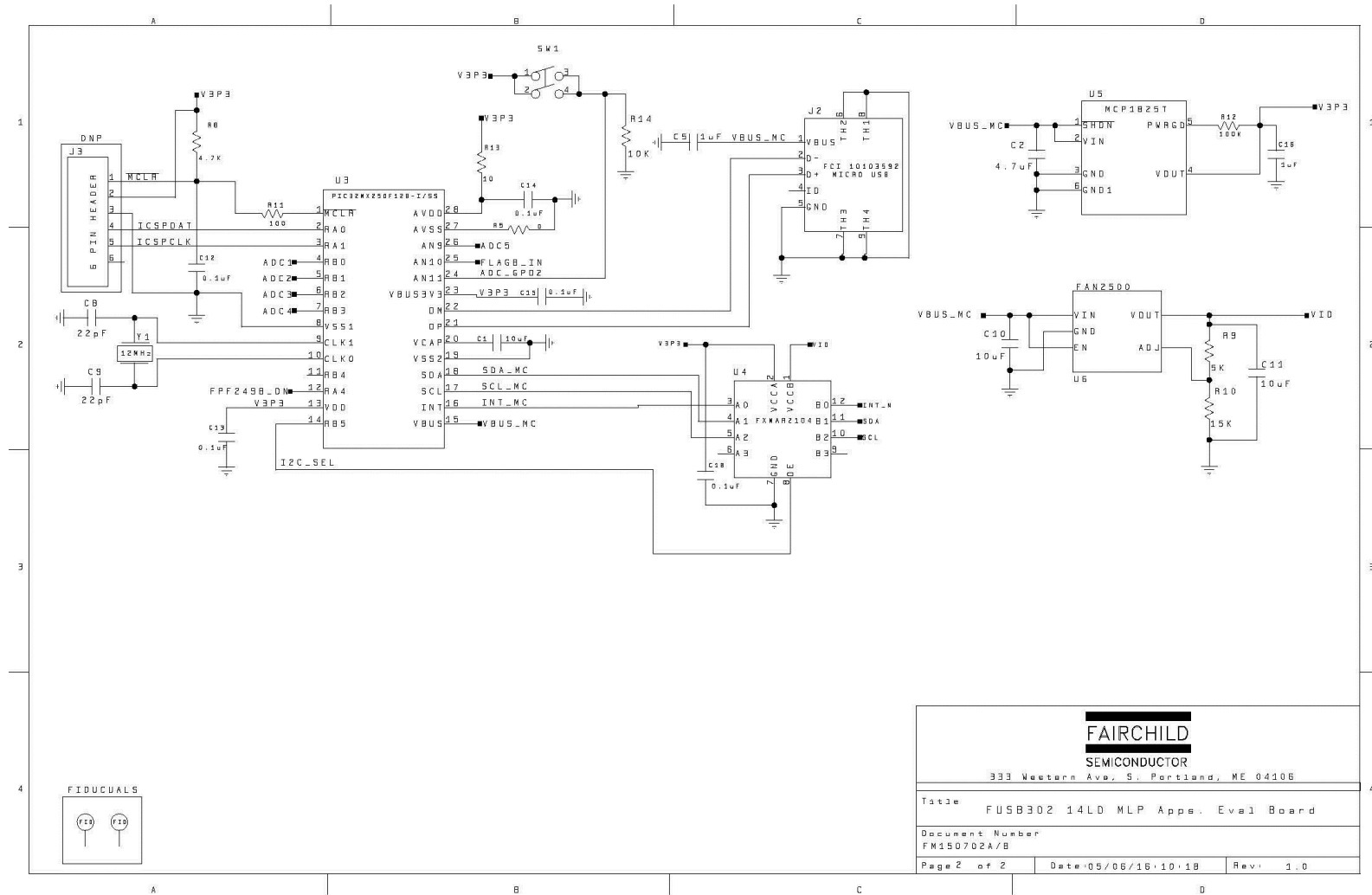
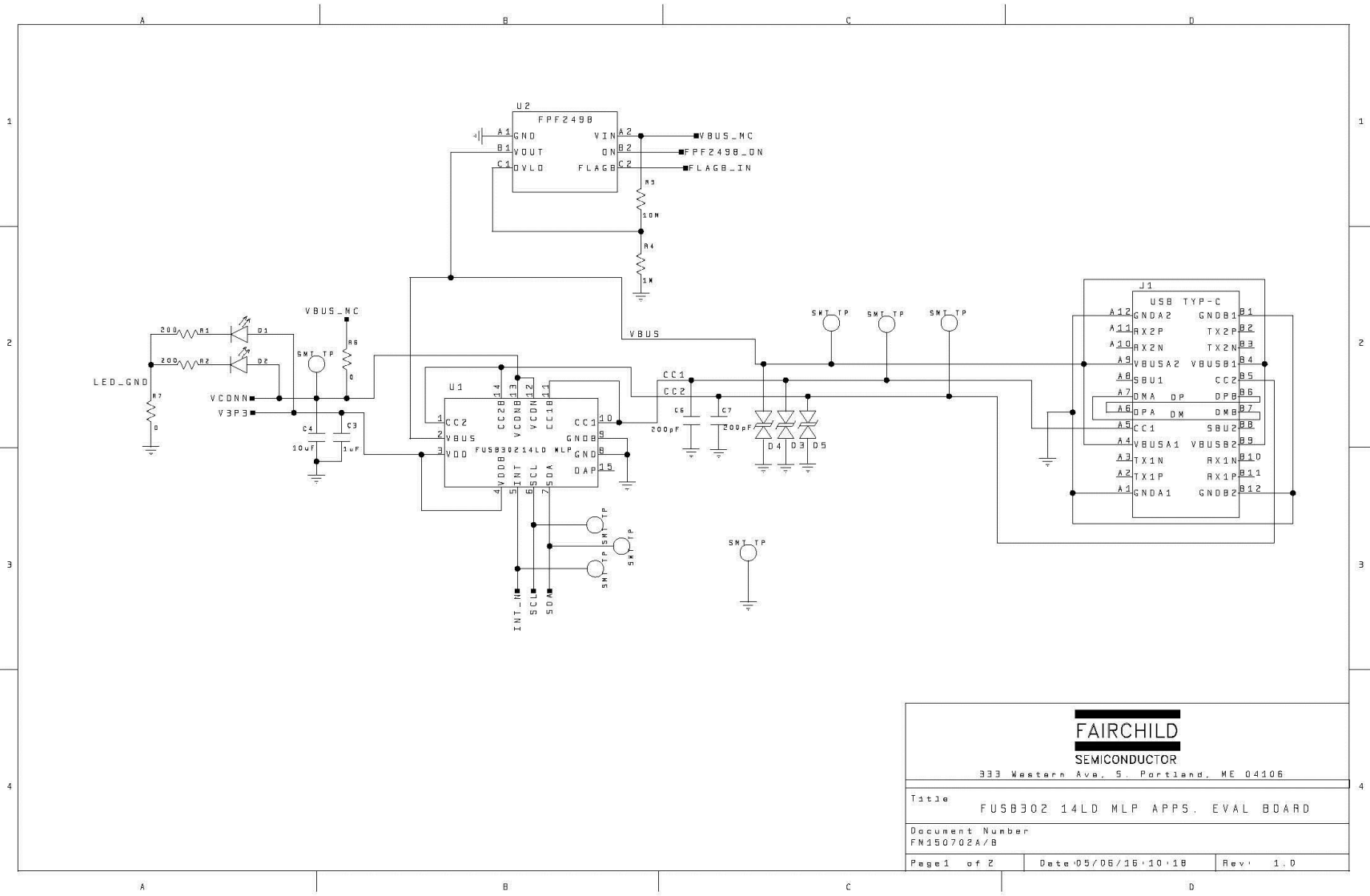


## Schematic for the FUSB302BGEVB Evaluation Board



<b>FAIRCHILD</b> SEMICONDUCTOR		
333 Western Ave., S. Portland, ME 04106		
Title: FUSB302 14LD MLP Apps. Eval Board		
Document Number: FN150702A/B		
Page 2 of 2	Date: 05/06/16.10.18	Rev: 1.0



**FAIRCHILD**  
SEMICONDUCTOR

333 Western Ave., S. Portland, ME 04106

---

Title FUSB302 14LD MLP APPS. EVAL BOARD

Document Number  
FN150702A/B

Page 1 of 2	Date 05/05/16 10:18	Rev. 1.0
-------------	---------------------	----------