

# PanView iQ™ (PViQ™) TX6™ PLUS Keyed Shielded Jack Module

## specifications

Category 6/Class E, 8-position keyed shielded jack module shall terminate shielded twisted 4-pair, 22 – 26 AWG, 100 ohm cable without the use of a punchdown tool. The forward motion termination method shall optimize performance by maintaining cable pair geometry and eliminating conductor untwist. The jack module shall be mechanically keyed with positive keying features to prevent unintentional mating with unlike keyed or non-keyed (non-PViQ™) patch cords. The termination cap shall indicate T568A and T568B wiring schemes. PViQ™ Jack Modules shall be used with the PViQ™ System only.



## technical information

<b>Category 6A/ Class E<sub>A</sub> channel and component performance:</b>	Certified channel performance in a 4-connector configuration up to 100 meters and exceeds the requirements of ANSI/TIA-568-C.2 Category 6 and ISO 11801 Class E standards
	Certified component performance to the ANSI/TIA-568-C.2 Category 6A and ISO 11801 Class E <sub>A</sub> standards
<b>FCC compliance:</b>	Meets ANSI/TIA-968-A; contacts plated with 50 micro-inches of gold for superior performance
<b>IEC compliance:</b>	Meets IEC 60603-7
<b>PoE compliance:</b>	Meets IEEE 802.3af and IEEE 802.3at for PoE application
<b>UL rated:</b>	UL 1863 approved
<b>Conductor termination range:</b>	Wire cap compatible with 22 – 26 AWG solid or stranded cable with conductor insulation diameters of 0.060 in. max and overall cable O.D. 0.200 in. to 0.330 in.

## key features and benefits

<b>Positive keying features</b>	Improves security by mechanically preventing connections with non-PViQ™ Patch Cords
<b>Integrated block out feature</b>	Prevents insertion of RJ11 phone plugs
<b>100% performance tested</b>	Confidence that each jack module will deliver the critical electrical performance requirements
<b>Utilizes enhanced Giga-TX™ Technology</b>	Wire cap optimizes performance by eliminating conductor untwist and reduces installation time and expense; simplifies termination and maintains conductor twists for reliable and consistent terminations
<b>Modular</b>	Shielded jack modules snap in and out of shielded PViQ™ Modular Patch Panels for easy moves, adds, and changes
<b>True strain relief</b>	Controls cable bend radius for long term installed performance
<b>Individually serialized</b>	Marked with quality control number for future traceability
<b>Termination tools (optional)</b>	EGJT termination tool ensures conductors are fully terminated by utilizing a smooth forward motion without impact on critical internal components for maximum reliability; TGJT is tool ideal for high volume installations

## applications

Panduit's PanView iQ™ (PViQ™) System, which includes intelligent patch panels, modules and cabling, seamlessly feeds information directly into the Physical Infrastructure Manager™ (PIM™) Software Platform to provide continuous real-time patch field monitoring and visibility of physical infrastructure

connectivity for enhanced system reliability, security, and capacity management.

PViQ™ Keyed Shielded Jack Modules provide mechanical differentiation and physical layer security that conventional cabling systems cannot provide.

### PanView iQ™ TX6™ PLUS Keyed Shielded Jack Module

**Jack module:** CJSQ688TGBL\*

### PanView iQ™ Patch Panels

**Modular, intelligent, blank 24-port  
Flat shielded:** PVQ-MIQPS24  
**Angled, shielded:** PVQ-MIQAPS24

### PanView iQ™ Intelligence Modules

**Panel Manager  
(PM):** PVQ-PM

**Expansion  
Manager (EM):** PVQ-EM

Note: PM requires PanView iQ™ Power Supply (not included).

### PanView iQ™ TX6™ 10Gig™ Keyed Shielded Patch Cords

**Cross-Connect STP 10Gig  
Meter lengths:** PVSTP6X<sup>^</sup>MBBU

**Interconnect – Enhanced STP 10Gig  
Foot lengths:** PVQ-ES6X<sup>^^</sup>BU  
**Meter lengths:** PVQ-ES6X<sup>^^</sup>MBBU

### TX6™ 10Gig™ Shielded Copper Cable

**Plenum:** PUF6X04<sup>\*\*</sup>-UG  
**Riser:** PUF6X04<sup>\*\*</sup>-UG

### PanView iQ™ Power Supply

**12 volt power supply  
(North America):** PVQ-PS12VDC-S  
**(Europe):** PVQ-PS12VDC-E  
**(UK):** PVQ-PS12VDC-U  
**(Japan):** PVQ-PS12VDC-J  
**(China):** PVQ-PS12VDC-C

### Tools and Accessories

**Termination tools:** TGJT or EGJT  
**Wire snipping tool:** CWST  
**Wire stripping tool:** CJUST  
**Clear dust cap:** MDC-C

\*Available in black only.

\*\*To designate color, add suffix BU (Blue), or WH (White).

<sup>^</sup>For lengths 1 to 10 meters (one meter increments) and 1, 2, 3, 5, 10 meters, change the length designation in the part number to the desired length. For standard cable colors other than BU (Blue), substitute the BU suffix with BL (Black), RD (Red), YL (Yellow), or GR (Green). For example, the part number for a green 5-foot patch cord is PVSTP6X5MBGR.

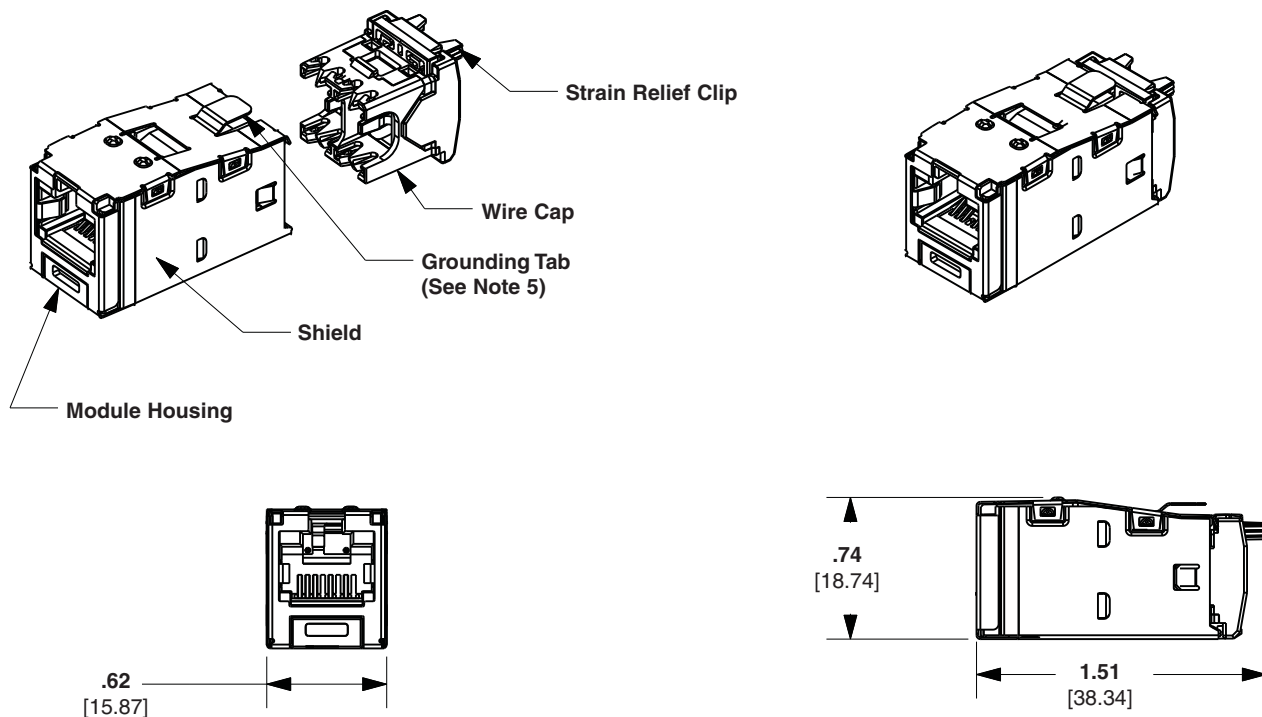
<sup>^^</sup>For lengths 3 to 20 feet (one foot increments) and 3, 5, 7, 10, 14, 20 feet, change the length designation in the part number to the desired length. For standard cable colors other than BU (Blue), substitute the BU suffix with WH (White). For example, the part number for a white 5-foot patch cord is PVQ-ES6X5WH.

<sup>^^^</sup>For lengths 1 to 10 meters (one meter increments) and 1, 2, 3, 5, 10 meters, change the length designation in the part number to the desired length. For standard cable colors other than BU (Blue), substitute the BU suffix with WH (White). For example, the part number for a white 5-foot patch cord is PVQ-ES6X5MWH.

# PanView iQ™ (PViQ™) TX6™ PLUS Keyed Shielded Jack Module

## Reliability Tests

Mechanical Test	Test Method	Measurement	Typical Test Results
<i>Normal Force</i>	—	Load (grams)	> 100
<i>Vibration</i>	IEC 512-6d	Circuit Resistance (mOhms)	< 40
<i>Shock</i>	IEC 512-6c	Contact Disturbance (microsecond)	< 5
<i>Durability</i>	IEC 512-9a	Circuit Resistance (mOhms)	< 40
<i>Mating/Un-Mating</i>	IEC 512-13b	Mating Force (N)	< 20
		Un-Mating Force (N)	< 20
Electrical Test	Test Method	Measurement	Typical Test Results
<i>Low Level Circuit Resistance</i>	IEC 512-2a	Resistance (mOhms)	< 20
<i>Dielectric Withstand Voltage</i>	IEC 512-4a	1000 V, 1 minute	Passed
<i>Insulation Resistance</i>	IEC 512-3a	Resistance (MOhms)	> 500
Environmental	Test Method	Measurement	Typical Test Results
<i>Temperature Life</i>	IEC 512-9b	Circuit Resistance (mOhms)	< 40
<i>Humidity</i>	IEC 512-11c	Circuit Resistance (mOhms)	< 40
<i>Thermal Shock</i>	IEC 512-11d	Circuit Resistance (mOhms)	< 40
<i>Climatic Sequence</i>	IEC 512-11a	Circuit Resistance (mOhms)	< 40
<i>Flowing Mixed Gas Corrosion</i>	IEC 512-11g	Circuit Resistance (mOhms)	< 40



Dimensions are in inches. [Dimensions in brackets are metric].

### WORLDWIDE SUBSIDIARIES AND SALES OFFICES

PANDUIT CANADA  
Markham, Ontario  
cs-cdn@panduit.com  
Phone: 800.777.3300

PANDUIT EUROPE LTD.  
London, UK  
cs-emea@panduit.com  
Phone: 44.20.8601.7200

PANDUIT SINGAPORE PTE. LTD.  
Republic of Singapore  
cs-ap@panduit.com  
Phone: 65.6305.7575

PANDUIT JAPAN  
Tokyo, Japan  
cs-japan@panduit.com  
Phone: 81.3.6863.6000

PANDUIT LATIN AMERICA  
Guadalajara, Mexico  
cs-la@panduit.com  
Phone: 52.33.3777.6000

PANDUIT AUSTRALIA PTY. LTD.  
Victoria, Australia  
cs-aus@panduit.com  
Phone: 61.3.9794.9020

For a copy of Panduit product warranties, log on to [www.panduit.com/warranty](http://www.panduit.com/warranty)

For more information

Visit us at [www.panduit.com](http://www.panduit.com)

Contact Customer Service by email: [cs@panduit.com](mailto:cs@panduit.com)  
or by phone: 800.777.3300

**PANDUIT**®

©2012 Panduit Corp.  
ALL RIGHTS RESERVED.  
PVSP75--WW-ENG  
Replaces WW-PVSP38  
12/2012