

NOTE

1. 材料及び仕上げ(めっき仕様):TABLE 1  
MATERIAL AND FINISHES:SEE TABLE 1

2. 適合ハウジング : 502380-\*\*\*\*  
APPLICABLE HOUSING:502380-\*\*\*\*

3. 錫めっき品 製品番号:502381-0000  
MATERIAL No. FOR TIN PLATING:502381-0000

4. 図示の斜線部の範囲は、接点部のため、傷,打痕,汚れなどを付けないようにして下さい。  
PLEASE DON'T DAMAGE,DON'T DENT,  
AND DON'T MAKE IT DIRTY.  
BECAUSE THE RANGE IN THE SHADED PORTION  
SHOWN IN FIGURE IS THE CONTACT AREA.

TABLE 1

部品 PART	材質 MATERIAL
ターミナル TERMINAL	銅合金 COPPER ALLOY
	めっき仕様(前めっき) PLATING(PRE-PLATING)
	金めっき(接点部) : 0.1 micro-meter MIN. GOLD PLATING(CONTACT AREA)
	錫めっき(バレル部両面) : 0.4 micro-meter MIN. MATTE TIN PLATING(BOTH SIDES OF BARREL AREA)
	ニッケルめっき(下地) : 0.1 micro-meter MIN. NICKEL(UNDER PLATING)

Φ0.78-1.07mm	AWG#26-28	リール REEL	502381-0010	連鎖状 CHAIN
絶縁被覆外形範囲 INS. RANGE	適用電線範囲 WIRE RANGE	梱包形態 PACKAGING	製品番号 MATERIAL No.	端子形状 FORM

THIS DRAWING CONTAINS INFORMATION THAT IS PROPRIETARY TO MOLEX ELECTRONIC TECHNOLOGIES, LLC AND SHOULD NOT BE USED WITHOUT WRITTEN PERMISSION

DIMENSION UNITS mm	SCALE NTS	CURRENT REV DESC:		
GENERAL TOLERANCES (UNLESS SPECIFIED)		<p><b>molex</b></p> <p>CLIK-MATE 1.25 W/B CRIMP TERMINAL GOLD PLATING</p> <p>PRODUCT CUSTOMER DRAWING</p>		
ANGULAR TOL	± 3.0 °			
4 PLACES	± 0.2			
3 PLACES	± 0.2			
2 PLACES	± 0.2	INITIAL REVISION:		
1 PLACE	± 0.2	DRWN: AISHIKAWA 2018/02/01		
0 PLACES	± 0.2	CHK'D: AIDA 2018/10/30		
DRAFT WHERE APPLICABLE MUST REMAIN WITHIN DIMENSIONS		APPR: TKANEKO 2018/10/30		
THIRD ANGLE PROJECTION	DRAWING	SERIES	MATERIAL NUMBER	CUSTOMER
	A3-SIZE	502381	SEE CHART	GENERAL
		DOCUMENT NUMBER	DOC TYPE	DOC PART
		5023810010-SD	PSD	000
		REVISION		A
		SHEET NUMBER		1 OF 1

10 9 8 7 6 5 4 3 2 1

F

E

D

C

B

A

F

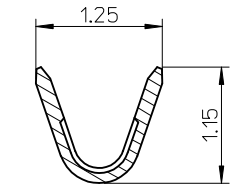
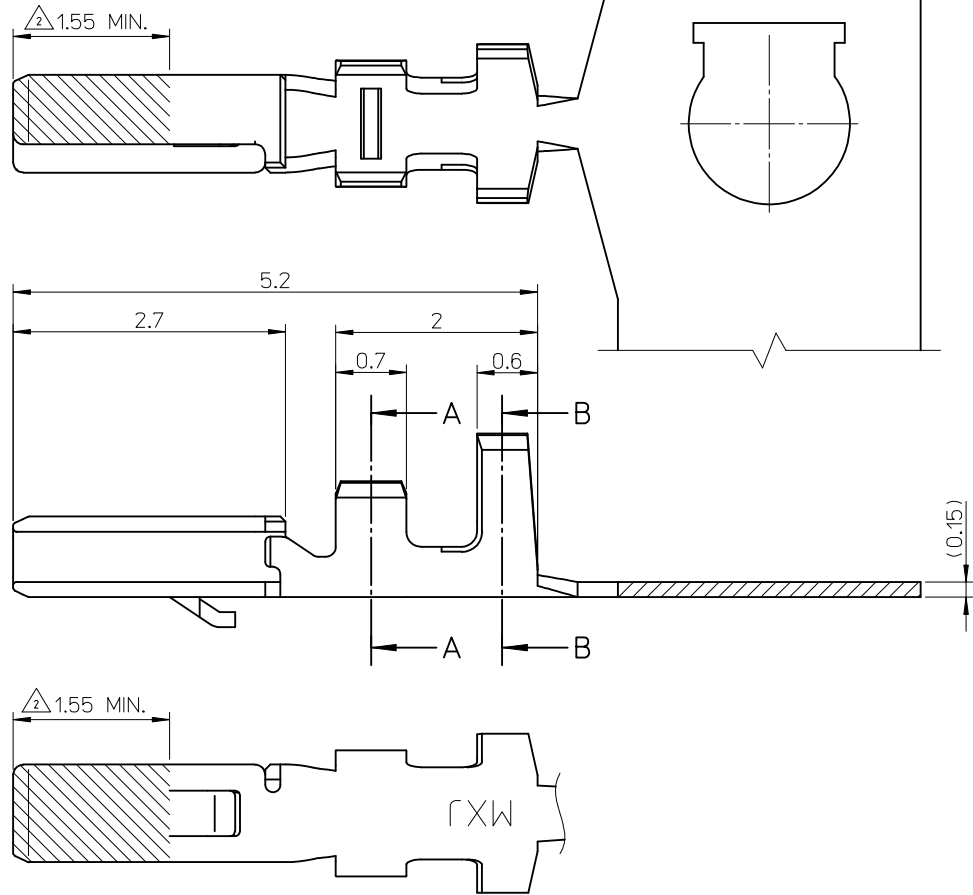
E

D

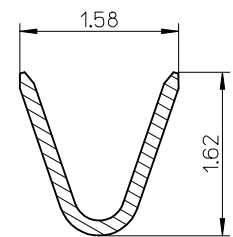
C

B

A

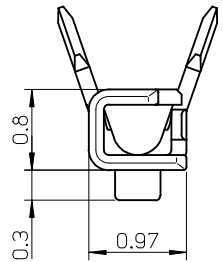


SECTION A-A



SECTION B-B

NOTES  
 1.適合ハウジング: 502380-\*\*\*\*  
 APPLICABLE HOUSING: 502380-\*\*\*\*  
 2.図示の斜線部の範囲は、接点部のため、傷、打痕、汚れなどを付けないようにして下さい。  
 PLEASE DON'T DAMAGE, DON'T DENT, AND DON'T MAKE IT DIRTY, BECAUSE THE RANGE IN THE SHADED PORTION SHOWN IN FIGURE IS THE CONTACT AREA.  
 3.ELV AND ROHS COMPLIANT.



0.8  
0.3  
0.97

φ0.78-1.07mm	AWG#26-28	502381-0010	連鎖状 CHAIN
絶縁被覆外径範囲 INS. RANGE	適用電線範囲 WIRE RANGE	製品番号 MATERIAL NO.	端子形状 FORM

部品 PART	材質 MATERIAL
ターミナル TERMINAL	銅合金 COPPER ALLOY 前めっき REFLOW TREATMENT (PRE-PLATED) 接点部 CONTACT 金めっき:0.1マイクロメートル以上 GOLD PLATING:0.1MICRO-METER MIN. 下地めっき UNDERPLATING ニッケルめっき:0.1マイクロメートル以上 NICKEL-PLATING:0.1MICRO-METER MIN.

REVISED	EC NO: J2017-0305	2016/12/05	GENERAL TOLERANCES (UNLESS SPECIFIED)
DESCRIPTION	DRW:SSAT002	2016/12/05	0.25 UNDER UNDER ±0.05
REV	CHK:DAIDA	2016/12/05	0.25 OVER 0.5 UNDER ±0.1
	APPR:TKANEKO		0.5 OVER 1.0 UNDER ±0.1
			1.0 OVER 10 UNDER ±0.2
			10 OVER 30 UNDER ±0.25
			30 OVER ±0.3
			ANGULAR ±3 °
			DRAFT WHERE APPLICABLE MUST REMAIN WITHIN DIMENSIONS

DIMENSION STYLE		SCALE	DESIGN UNITS	THIRD ANGLE PROJECTION
MM ONLY		20:1	METRIC	
DRAWN BY	DATE	TITLE		
Y. AOYAGI	2007/06/28	1.25 W/B CONN. SINGLE PLUG TERMINAL		
CHECKED BY	DATE			
M. ISOGAYA	2007/06/28			
APPROVED BY	DATE			
N. UKITA	2007/06/28			
MATERIAL NO.	DOCUMENT NO.	SHEET NO.		
SEE TABLE	SD-502381-002	1 OF 1		

THIS DRAWING CONTAINS INFORMATION THAT IS PROPRIETARY TO MOLEX ELECTRONIC TECHNOLOGIES, LLC AND SHOULD NOT BE USED WITHOUT WRITTEN PERMISSION	
---	--

9 8 7 6 5 4 3 2 1