

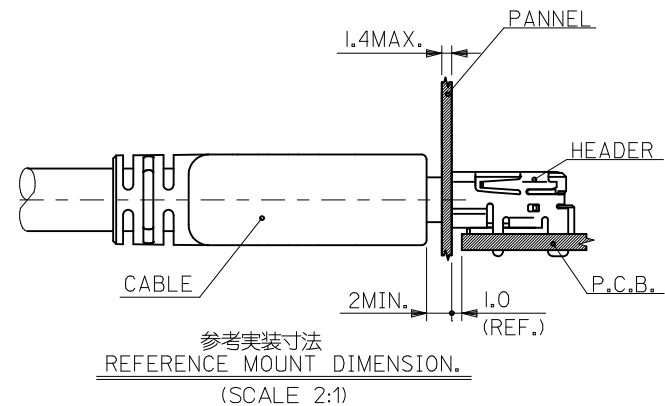
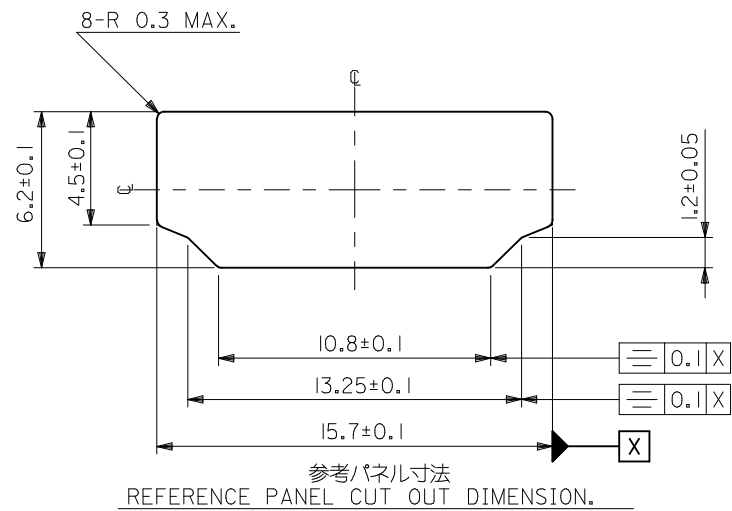
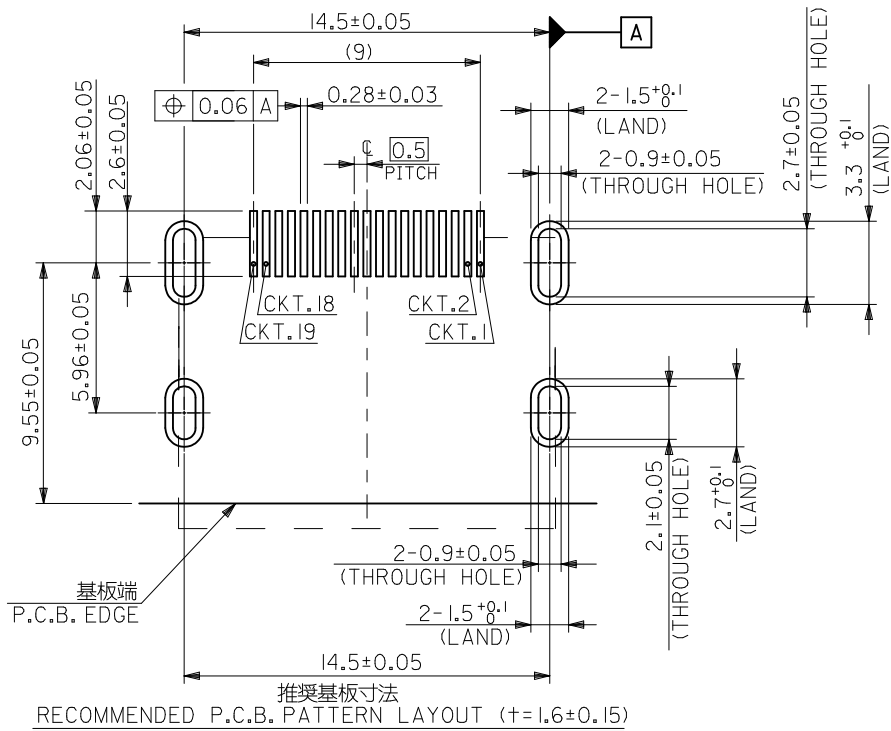
注記
NOTE

1. 材質
MATERIAL
ハウジング: ガラス入り耐熱樹脂
HOUSING: GLASS FILLED HEAT-RESISTED RESIN, UL94V-0
ターミナル: 銅合金
TERMINAL: COPPER ALLOY
シェル: 銅合金
SHELL: COPPER ALLOY
2. めっき仕様
PLATING
ターミナル: <接点部>金めっき 0.76μm以上
TERMINAL <CONTACT AREA>: (1) GOLD(Au) 0.76 MICROMETER MINIMUM.
(2) GOLD FLASH OVER Pd/Ni

<半田付け部>錫めっき 1.0μm以上
<SOLDER TAIL AREA> TIN(Sn) 1.0 MICROMETER MINIMUM.
<下地>ニッケルめっき 2μm以上
<UNDER-PLATING> NICKEL(Ni) 2 MICROMETER MINIMUM.
シェル: 錫めっき 1.0μm以上
SHELL TIN(Sn) 1.0 MICROMETER MINIMUM.
下地ニッケルめっき 1.27μm以上
UNDER-PLATING NICKEL (Ni) 1.27 MICROMETER MINIMUM.
3. テール部の平坦度: 0.1 MAXIMUM.
COPLANALITY OF TAIL: 0.1 MAXIMUM.

500254-1926	SEE NOTES 2(2)	
500254-1927	SEE NOTES 2(1)	19
EMBOSS PACKAGING		CURCUIITS
MATERIAL NO.	CONTACT AREA PLATING	

ADD NEW P/N EC NO: S2012-0578 DRWN: ZENG 2012/01/18 CHKD: JESSIECHUA 2012/03/15 APPR: NAGESHKN 2012/03/19	GENERAL TOLERANCES (UNLESS SPECIFIED)		DIMENSION STYLE MM ONLY		SCALE		DESIGN UNITS METRIC		THIRD ANGLE PROJECTION	
	10 UNDER	±0.2	DRAWN BY	DATE	TITLE					
	10 OVER 30 UNDER	±0.25	K. TOYODA	'04/03/26	HDMI RIGHT ANGLE HEADER ASSY -LEAD FREE- MOLEX INCORPORATED					
	30 OVER	±0.3	K. ASAKAWA	'04/03/26						
ANGULAR	±3 °	APPROVED BY	DATE	MATERIAL NO.		DOCUMENT NO.		SHEET NO.		
DRAFT WHERE APPLICABLE MUST REMAIN WITHIN DIMENSIONS		S. ICHIKAWA	'04/03/26	SEE CHART		SD-500254-005		1 OF 3		
C1	REV	THIS DRAWING CONTAINS INFORMATION THAT IS PROPRIETARY TO MOLEX INCORPORATED AND SHOULD NOT BE USED WITHOUT WRITTEN PERMISSION								



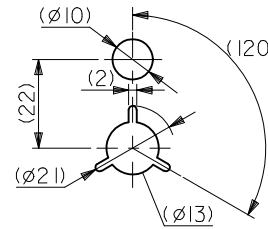
SEE SHEET1 EC NO: S2012-0578 DRWN: JZENG 2012/01/18 CHKD: JESSIECHUA 2012/03/15 APPR: NAGESHKN 2012/03/19	GENERAL TOLERANCES (UNLESS SPECIFIED)		DIMENSION STYLE MM ONLY	SCALE	DESIGN UNITS METRIC	THIRD ANGLE PROJECTION
	10 UNDER	±0.2	DRAWN BY K. TOYODA	DATE '04/03/26	TITLE HDMI RIGHT ANGLE HEADER ASSY -LEAD FREE-	
	10 OVER 30 UNDER	±0.25	CHECKED BY K. ASAKAWA	DATE '04/03/26	MOLEX INCORPORATED	
	30 OVER	±0.3	APPROVED BY S. ICHIKAWA	DATE '04/03/26	MATERIAL NO. SEE CHART	DOCUMENT NO. SD-500254-005
C1	ANGULAR ±3 °	DRAFT WHERE APPLICABLE MUST REMAIN WITHIN DIMENSIONS	SIZE A3	THIS DRAWING CONTAINS INFORMATION THAT IS PROPRIETARY TO MOLEX INCORPORATED AND SHOULD NOT BE USED WITHOUT WRITTEN PERMISSION		

エンボス梱包
EMBOSS PACKAGE

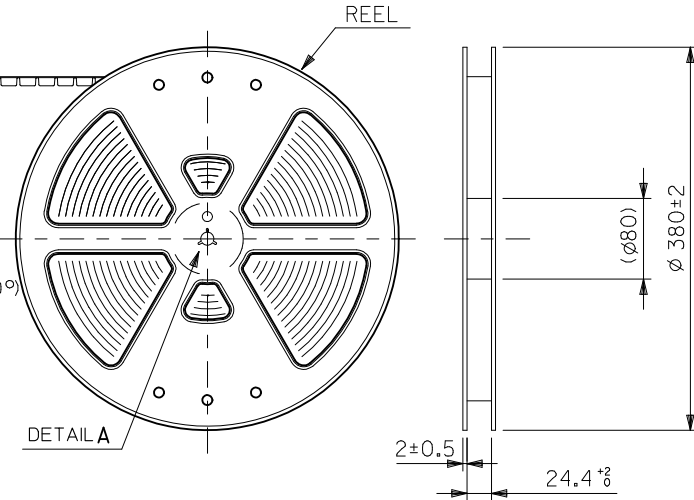
NOTE

- 梱包数量： 500 個/リール
NUMBER OF CONNECTORS:500 PCS/REEL
- リードテープ長さ
LEAD TAPE LENGTH

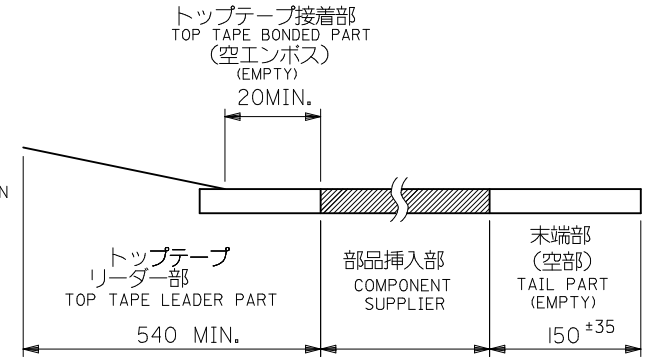
引き出し方向
PULL OUT DIRECTION



DETAIL A



引き出し方向
PULL OUT DIRECTION

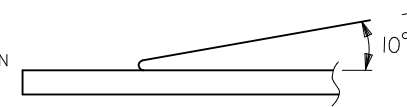


- トップテープの剥離強度： 0.1 □ 1.3N (10 □ 130gf)
(剥離方向は下図参照) キャリアテープ幅： 2.4 mm
PEEL-OFF FORCE OF TOP TAPE: 0.1 □ 1.3N (10 □ 130gf)
(PEELING DIRECTION AS SHOWN IN FOLLOWING FIG.)
CARRIER TAPE WIDTH

尚、本規格値は、出荷時に適用。
THIS REQUIREMENT SHOULD BE APPLIED AT SHIPMENT
(但し、輸送時に剥離が発生しない事。)
(PEEL OFF SHOULD NOT BE ALLOWED, DURING TRANSPORTATION)

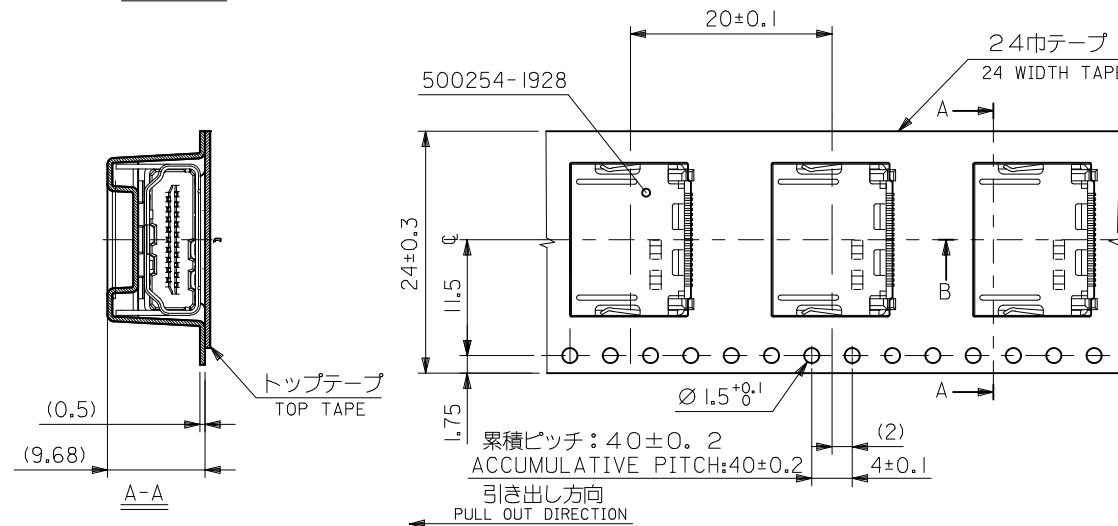
剥離方向
PEEL OFF DIRECTION

引き出し方向
PULL OUT DIRECTION

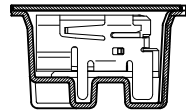


7.材料
MATERIAL

キャリアテープ：ポリプロピレン
CARRIER TAPE: POLYPROPYLENE
トップテープ：ポリエステル、ポリエチレン
TOP TAPE: POLYESTER, POLYETHYLENE
リール：ポリスチレン
REEL: POLYSTYRENE



エンボステープ内の製品の向き
DIRECTION OF CONNECTOR IN EMBOSS TAPE



B-B

500254-1926	
500254-1927	19
MATERIAL NO.	CIRCUITS

SEE SHEET 1 EC NO: S2012-0578 DRWN: ZENG 2012/01/18 CHKD: JESSIECHUA 2012/03/15 APPR: MAGESHKN 2012/03/19	GENERAL TOLERANCES (UNLESS SPECIFIED)		DIMENSION STYLE MM ONLY		SCALE	DESIGN UNITS METRIC	THIRD ANGLE PROJECTION	
	10 UNDER	±0.2	DRAWN BY K. TOYODA	DATE '04/03/26	TITLE HDMI RIGHT ANGLE HEADER ASSY -LEAD FREE-			
	10 OVER 30 UNDER	±0.25	CHECKED BY K. ASAKAWA	DATE '04/03/26	MOLEX INCORPORATED			
	30 OVER	±0.3	APPROVED BY S. ICHIKAWA	DATE '04/03/26	DOCUMENT NO. SD-500254-005			
ANGULAR	±3 °	DRAFT WHERE APPLICABLE MUST REMAIN WITHIN DIMENSIONS		SEE CHART		SHEET NO. 3 OF 3		
SIZE A3		THIS DRAWING CONTAINS INFORMATION THAT IS PROPRIETARY TO MOLEX INCORPORATED AND SHOULD NOT BE USED WITHOUT WRITTEN PERMISSION						