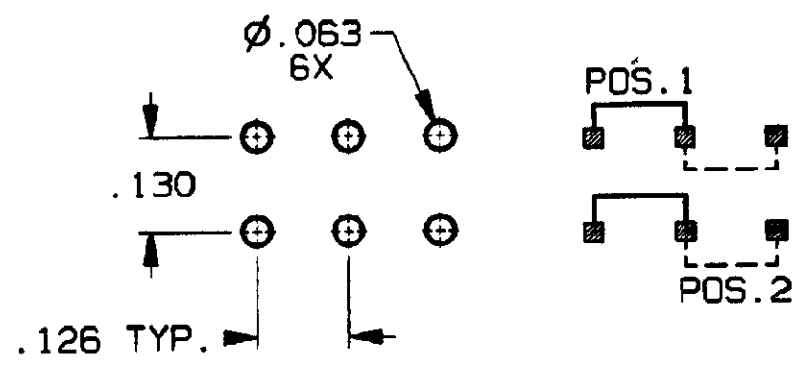
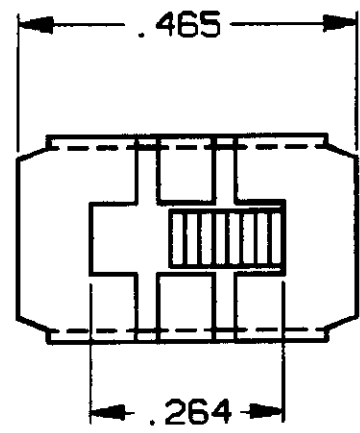
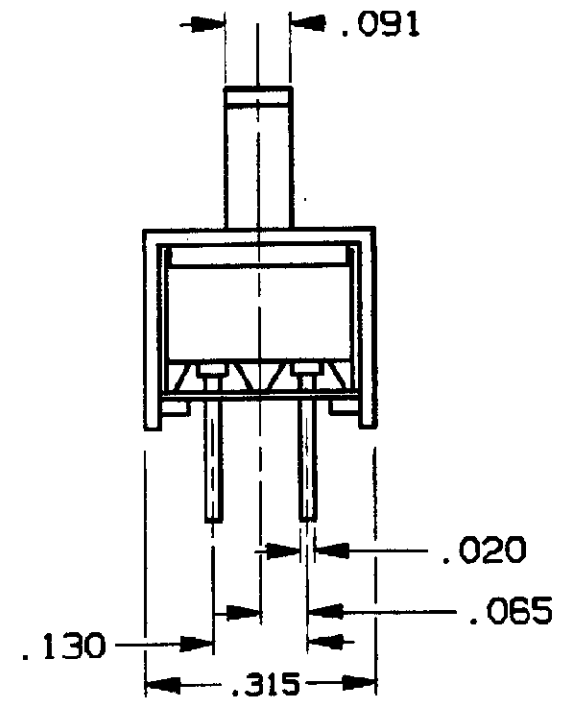
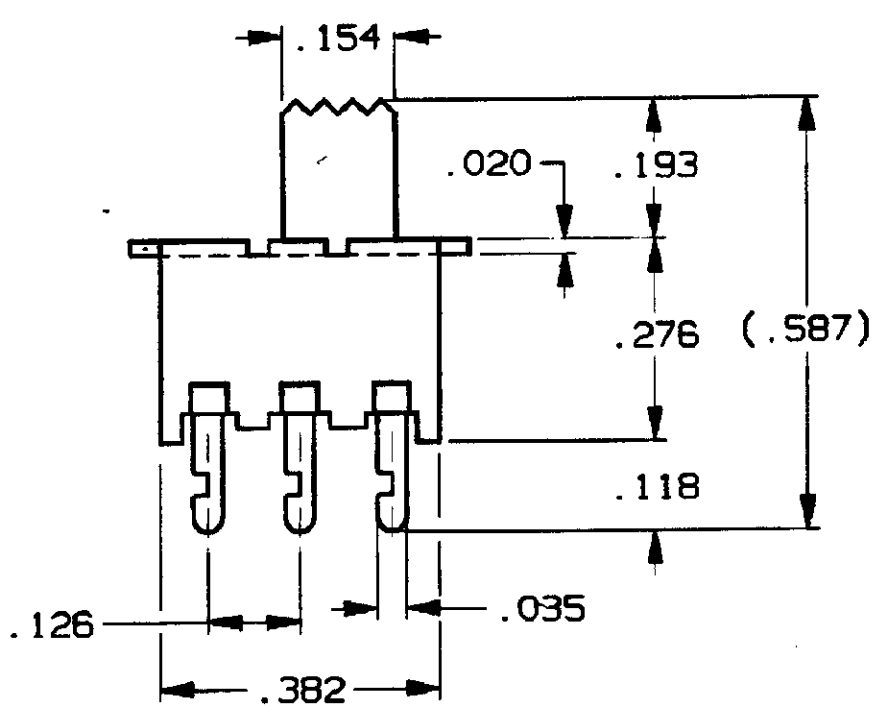


CONVERSION CHART	
INCH	MM
.002	0,05
.010	0,25
.020	0,50
.035	0,89
.063	1,60
.065	1,65
.091	2,31
.118	3,00
.126	3,20
.130	3,30
.154	3,91
.264	6,70
.276	7,01
.315	8,00
.382	9,70
.465	11,81
.587	14,91



**RECOMMENDED HOLE LAYOUT**  
TOLERANCE ±.002 UNLESS OTHERWISE NOTED



**SPECIFICATIONS:**

**MATERIAL:**  
 FRAME: STEEL, ZINC PLATE.  
 ACTUATOR: POLYESTER, BLACK  
 FIXED CONTACT/TERMINAL: COPPER ALLOY, SILVER PLATE OVER NICKEL.  
 MOVING CONTACT: COPPER ALLOY, SILVER PLATE OVER NICKEL.  
 COIL SPRING: STEEL WIRE.  
 LEAF SPRING: COPPER ALLOY.  
 TERMINAL BOARD: THERMOSET.  
 TERMINAL SEAL: EPOXY.

**ELECTRICAL:**  
 CONTACT RATING: 500mA @ 125 VAC  
 CONTACT RESISTANCE: 30 MILLOHMS MAX.  
 INSULATION RESISTANCE: 100 MEGOHMS MIN.  
 DIELECTRIC STRENGTH: 500 VAC  
 LIFE EXPECTANCY: 10,000 CYCLES MIN.

**MECHANICAL:**  
 ACTUATION FORCE: 350±150 GRAMS  
 ACTUATION TRAVEL: 0.106" (2.69mm)

**ENVIRONMENTAL:**  
 OPERATING TEMPERATURE: -4F TO +185F (-20C TO +85C)  
 STORAGE TEMPERATURE: -40F TO +212F (-40C TO +100C)

**OUTLINE DRAWING**  
SPECIFICATIONS ARE SUBJECT TO CHANGES WITHOUT NOTICE

THIS IS A C.A.D. GENERATED DRAWING.  
DO NOT MAKE MANUAL REVISIONS TO MASTER.

REV	DESCRIPTION
0	INT'L RELEASE ESR NO. A8122 TRU-D 11-20-96 APP'D <i>W. Kelly</i> 11-25-96

**THIRD ANGLE PROJECTION**

TOLERANCES (EXCEPT AS NOTED)  
 ANGULAR = ±1°  
 DECIMAL .XX = ±.010  
 DECIMAL .XXX = ±.010  
 DECIMAL .XXXX = ±.010

**AUGAT CONFIDENTIAL**  
 This document contains information which is the exclusive property of Augat Inc. Distribution, reproduction or use by others is not permitted without the expressed written consent of Augat Inc.

UNLESS OTHERWISE SPECIFIED DIMENSIONS ARE IN INCHES DO NOT SCALE PRINT

FILE NAME: 80391OUT      DIRECTORY: SWITCHES/SLDSWCH

MATERIAL: SEE SPECIFICATIONS

FINISH: SEE SPECIFICATIONS

ORIGINAL DATE OF DRAWING: 11-20-96

DRAWN: TRU-D      DATE: 11-20-96

CHECKED:      DATE:

APPROVED: *W. Kelly*      DATE: 11-25-96

CODE IDENT. NO. 91506      DWG. SIZE B

NEXT ASSY:

**AUGAT INC.** 452 JOHN DIETSCH BLVD. ATTLEBORO FALLS, MASS. 02763

TITLE: **OUTLINE DRAWING**  
SLIDE SWITCH (SLS220-1)

DWG. NO. 80391-SD      REV. 0

PRODUCT CODE: C16

SCALE: 4:1      SHEET 1 OF 1