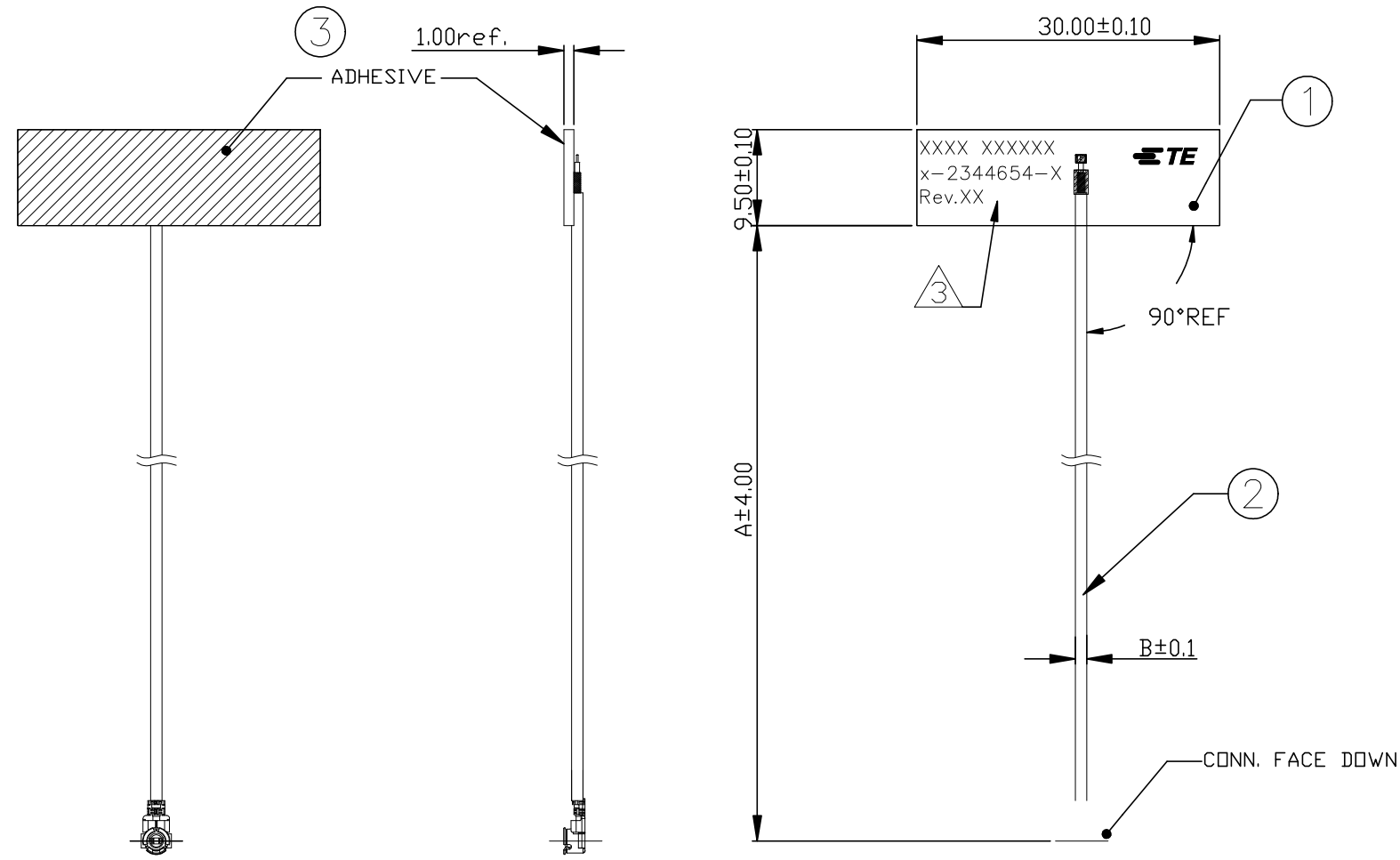


THIS DRAWING IS UNPUBLISHED. RELEASED FOR PUBLICATION
 © COPYRIGHT - TE Connectivity ALL RIGHTS RESERVED.

REVISIONS				
P	LTR	DESCRIPTION	DATE	APVD
D3		CLARIFY CONN DIRECTION	22FEB2023	DC SJ



1. MATERIALS : REFER TO TABLE.
2. A: ALL MATERIALS, COMPONENTS AND PROCESSES SHALL COMPLY WITH TEC-138-702 (CONTAINS NO BANNED OR RESTRICTED SUBSTANCES)
 B: NO REACH SVHC SHALL BE CONTAINED ABOVE THE THRESHOLD AS DEFINED IN REACH SVHC
 C :LOW Bromine/Chlorine - Br and Cl < 900 ppm. PER HOMOGENEOUS MATERIAL ALSO BFR/CFR/PVC FREE
3. IDENTIFICATION INCLUDES : FOUR DIGIT DATE CODE(FIRST 2 DIGITS FOR THE WEEK CODE AND THE 2ND TWO DIGITS FOR THE YEAR CODE), MANUFACTURING CONTROL NUMBER, TE PART NUMBER & REVISION NO.

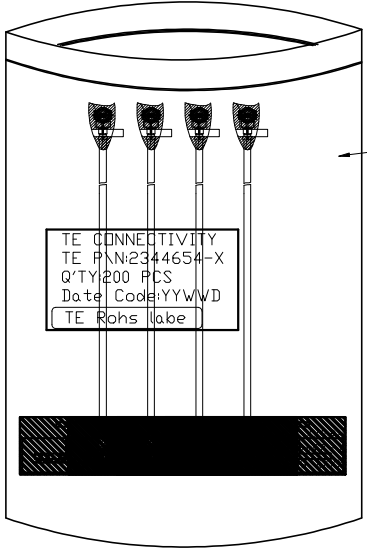
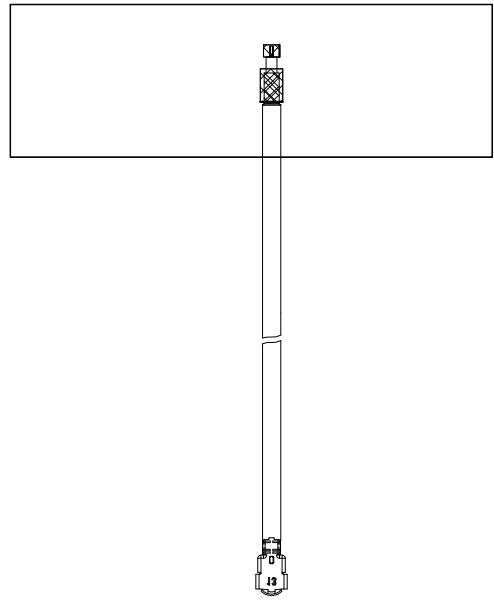
CONNECTOR TYPE	B DIMENSION	A DIMENSION	PART NUMBER
		150	2344654-7
		100	2344654-6
		50	2344654-5
UMCC GEN.1 (MHF1 TYPE)	1.13	180	1-2344654-0
		350	2344654-9
		200	2344654-4
		150	2344654-3
		100	2344654-2
	50	2344654-1	

MATERIAL	NAME	ITEM NO.
DOUBLE-SIDED TAPE	ADHESIVE	3
COAXIAL CABLE & CONN	CABLE ASSY	2
FR-4	PCB ANTENNA	1

THIS DRAWING IS A CONTROLLED DOCUMENT.

DWN PAUL HUNAG 22OCT2018	TE TE Connectivity
CHK AKU HUANG 22OCT2018	
APVD AMOS CHEAH 22OCT2018	NAME
PRODUCT SPEC	WLAN DUAL BAND ANTENNA PCB V
APPLICATION SPEC	
WEIGHT	SIZE A2 CAGE CODE 00779 DRAWING NO. C=2344654 RESTRICTED TO
CUSTOMER DRAWING	SCALE 1:1 SHEET 1 of 2 REV D3

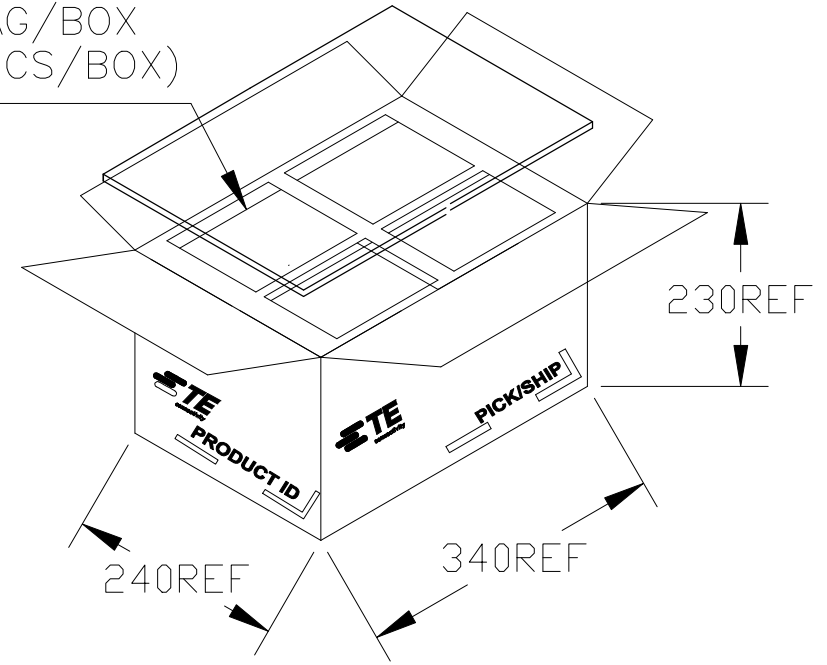
REVISIONS				
P	LTR	DESCRIPTION	DATE	APVD
-	-	SEE SHEET 1	-	-



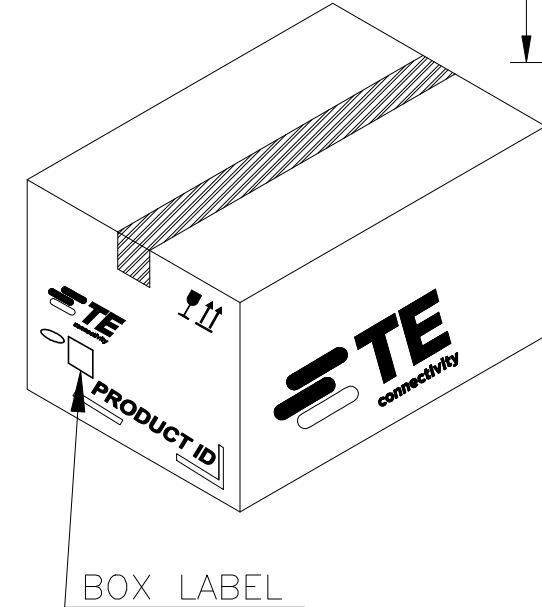
40REF
 25REF
 TE CONNECTIVITY
 TE P\N:2344654-X
 Q'TY:200 PCS
 Date Code:YYWWD
 TE Rohs labe
 PACKING LABEL

Q' TY	PACKING QUANTITY		
	Pcs/BAG	BAG/BOX	PCS/BOX
1	200	25	5000

25BAG/BOX
(5000PCS/BOX)



55REF
 45REF
 TE CONNECTIVITY
 TE P\N:2344654-X
 Q'TY:5000 PCS
 Date Code:YYWWD
 TE Rohs labe
 BOX LABEL



THIS DRAWING IS A CONTROLLED DOCUMENT.		DWN PAUL HUNAG 22OCT2018	TE TE Connectivity	
DIMENSIONS: mm		CHK AKU HUANG 22OCT2018		
TOLERANCES UNLESS OTHERWISE SPECIFIED:		APVD AMOS CHEAH 22OCT2018	NAME	
0 PLC ± -		PRODUCT SPEC	WLAN DUAL BAND ANTENNA PCB V	
1 PLC ± -		APPLICATION SPEC	SIZE	CAGE CODE
2 PLC ± -		WEIGHT	A2	00779
3 PLC ± -		CUSTOMER DRAWING	C=2344654	
4 PLC ± -		SCALE	NTS	SHEET 2 of 2
ANGLES ± -		REV	D3	
FINISH				