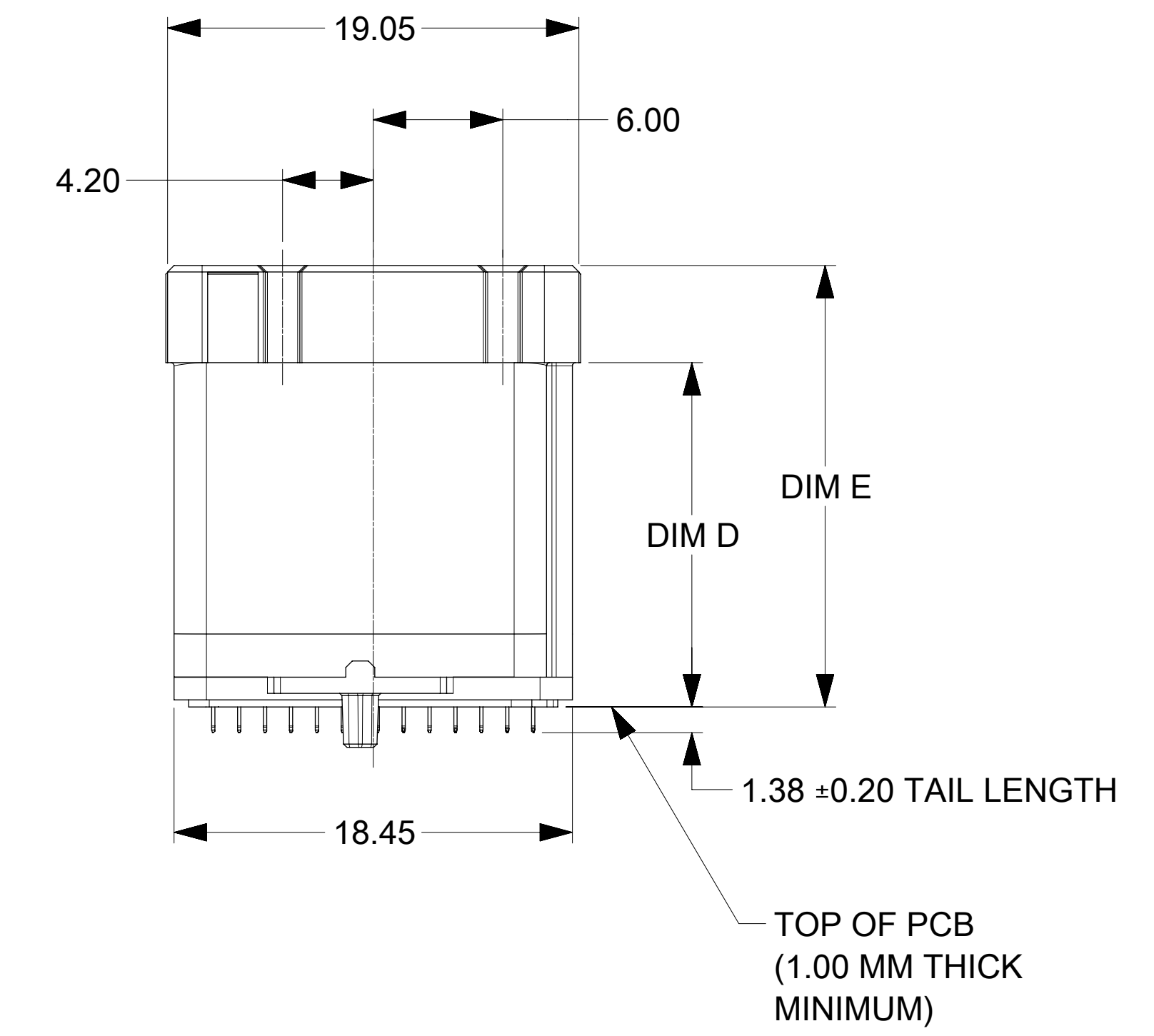
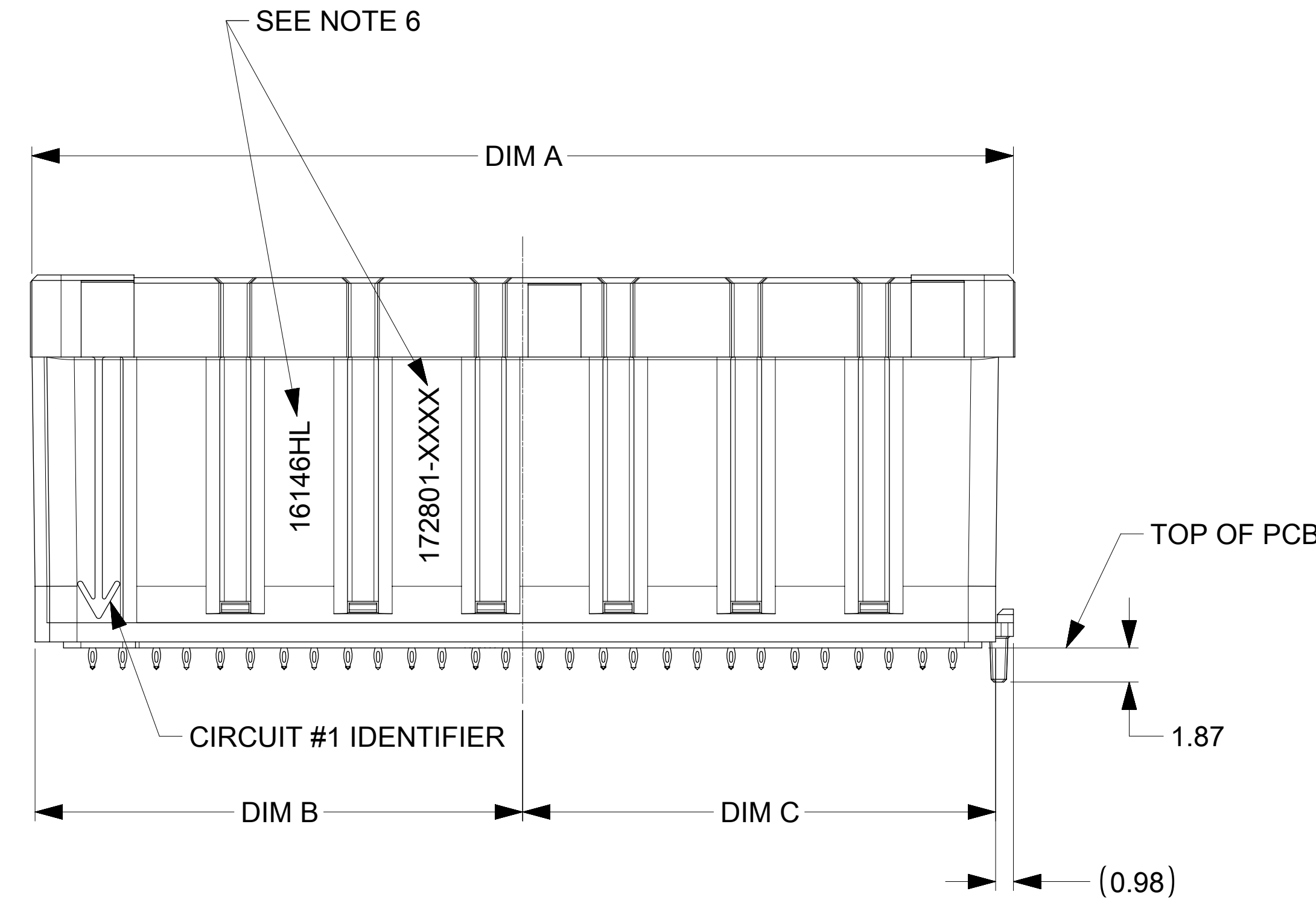
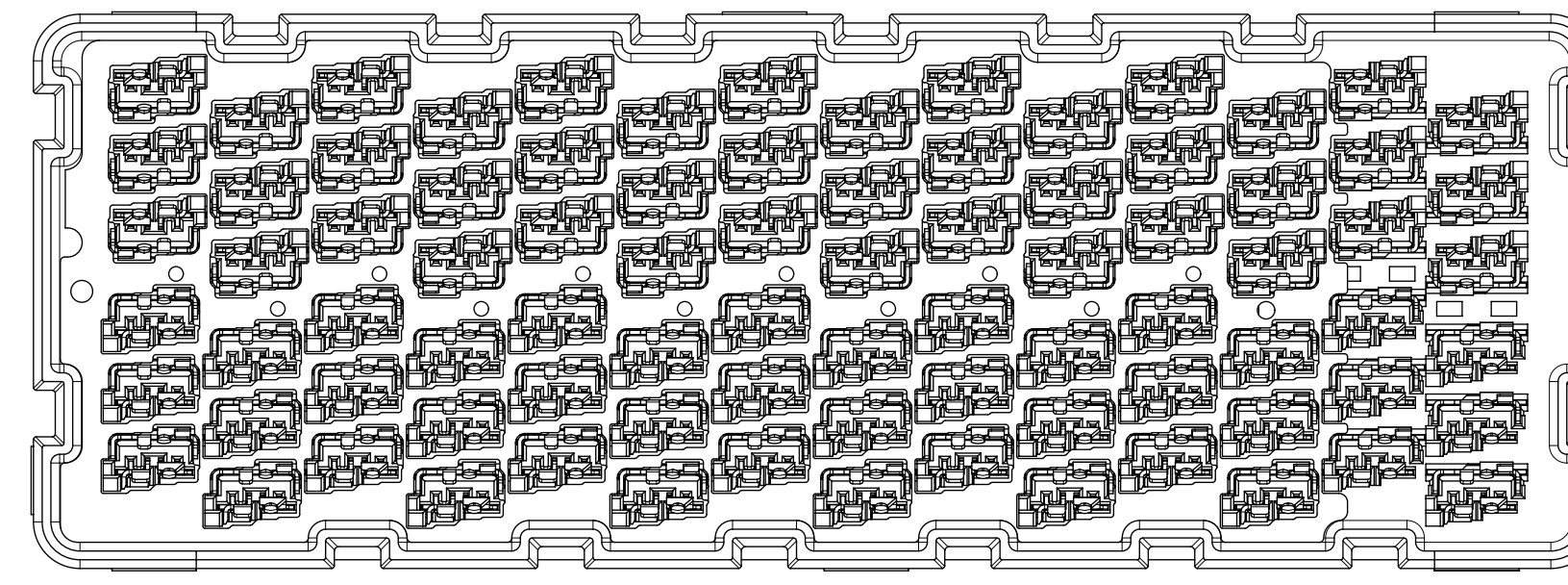


# 172801-0009 PLUG ASSEMBLY SHOWN

**NOTES:**

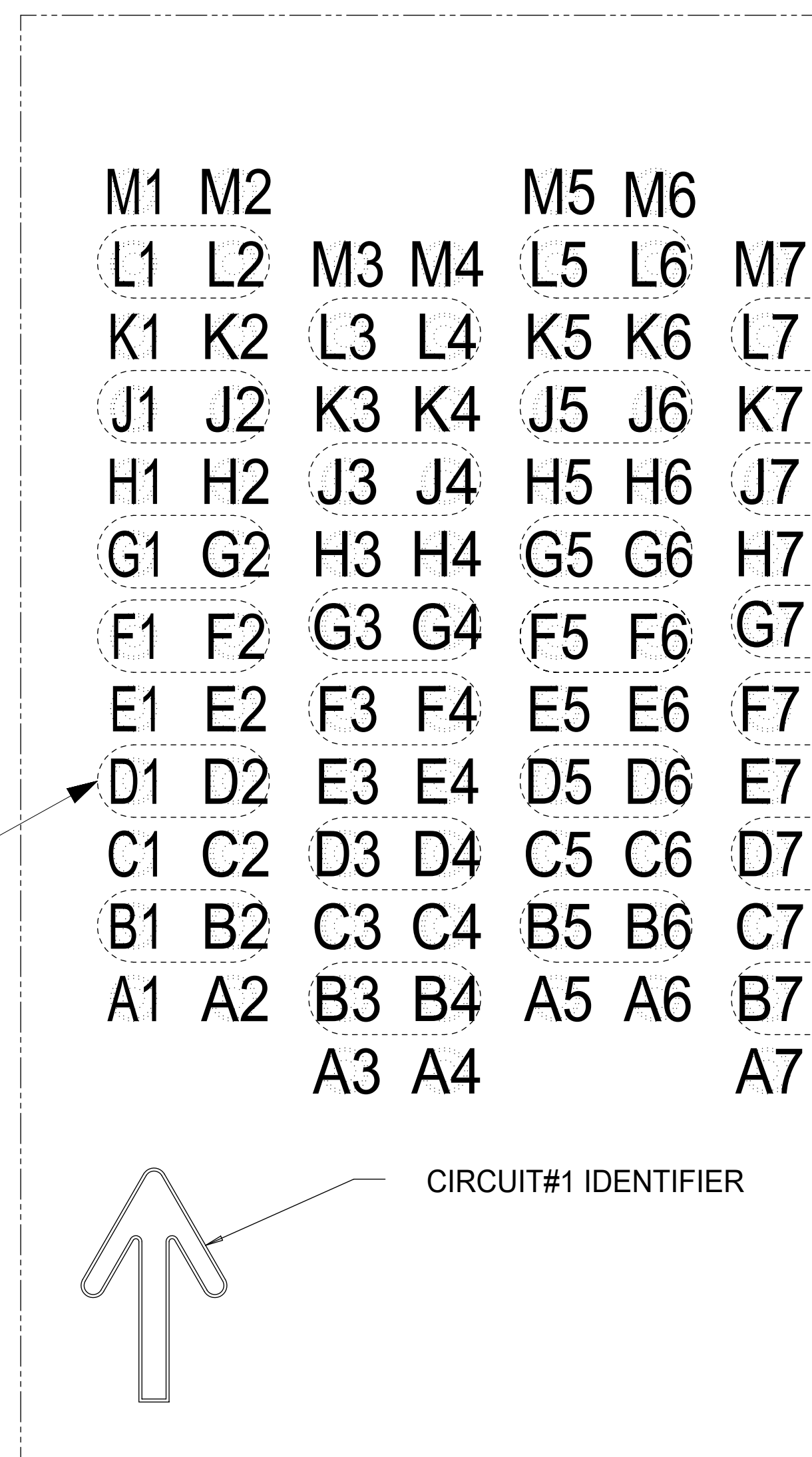
1. HOUSING MATERIAL: LCP, GLASS FILLED, UL 94V-0, BLACK  
CONTACT MATERIAL: HIGH PERFORMANCE COPPER ALLOY
2. FINISH:  
CONTACTS: SELECTIVE GOLD: 30 MICRO INCHES MINIMUM ON CONTACT AREA  
SELECTIVE TIN ON COMPLIANT PIN OVER 50 MICRO INCHES MINIMUM  
NICKEL OVERALL
3. PRODUCT SPECIFICATION: PS-172801-0001
4. PACKAGING SPECIFICATION: PK-173358-0001
5. APPLICATION SPECIFICATION: AS-172801-0001
6. PARTS TO BE MARKED WITH THE PART NUMBER AND DATE CODE.  
FORMAT IS 2 DIGIT YEAR, 3 DIGIT DAY, 1 DIGIT HOUR (IF NEEDED), AND  
ONE DIGIT ASSEMBLY LINE (IF NEEDED) BY MARKING THE HOUSING AS SHOWN.
7. THIS PART CONFORMS TO CLASS B REQUIREMENTS OF  
MOLEX COSMETIC SPEC. PS-45499-002



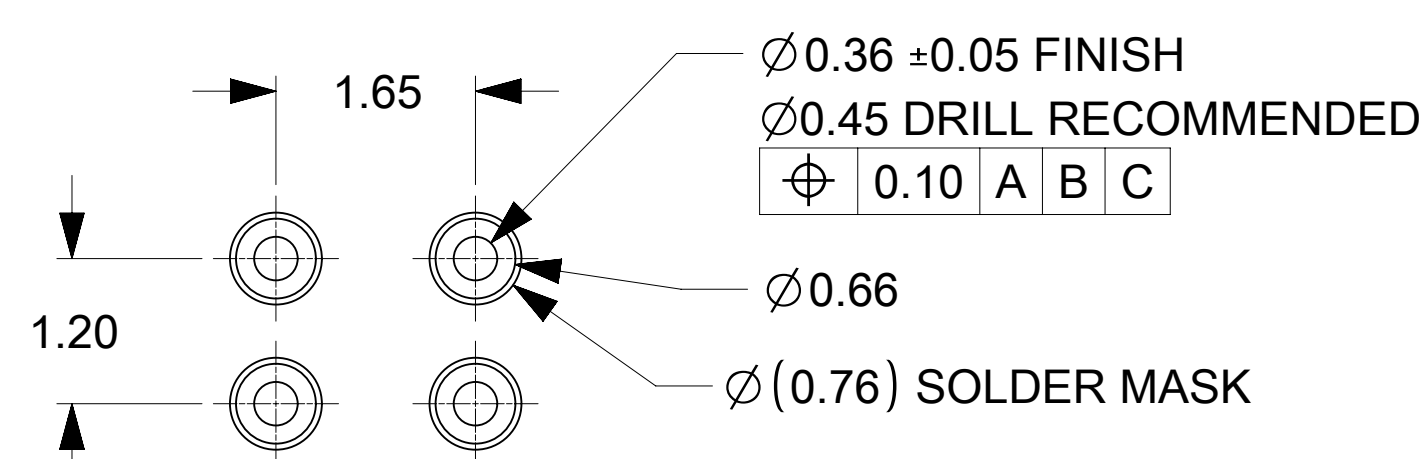
| MATERIAL NUMBER | HEIGHT | NO. OF COLUMNS | DIM A | DIM B | DIM C | DIM D | DIM E | LOCATING PEG | TOOLED | MATES TO                |
|-----------------|--------|----------------|-------|-------|-------|-------|-------|--------------|--------|-------------------------|
| 1728010001      | 13.5   | 14             | 53.80 | 26.73 | 25.93 | 10.95 | 15.45 | NO           | YES    | 1728320001              |
| 1728010005      | 13.5   | 10             | 39.80 | 19.73 | 18.93 | 10.95 | 15.45 | PRESENT      | YES    | 1728320005              |
| 1728010006      | 21.5   | 10             | 39.80 | 19.73 | 18.93 | 18.95 | 23.45 | PRESENT      | YES    | 1728320005              |
| 1728010013      | 18.5   | 16             | 60.80 | 30.23 | 29.43 | 15.95 | 20.45 | PRESENT      | YES    | 1728320013              |
| 1728010017      | 13.5   | 8              | 32.80 | 16.23 | 15.43 | 10.95 | 15.45 | PRESENT      | NO     | 1728320017              |
| 1728010018      | 21.5   | 12             | 46.80 | 23.23 | 22.43 | 18.95 | 23.45 | PRESENT      | NO     | 1728320018 & 1728320019 |
| 1728010021      | 21.5   | 20             | 74.80 | 37.23 | 36.43 | 18.95 | 23.45 | PRESENT      | NO     | 1728320024              |
| 1728010022      | 21.5   | 25             | 92.30 | 45.98 | 45.18 | 18.95 | 23.45 | PRESENT      | NO     | 1728320025              |
| 1728010035      | 18.5   | 16             | 60.80 | 30.23 | 29.43 | 15.95 | 20.45 | PRESENT      | YES    | 1728320034              |
| 1728010037      | 18.5   | 14             | 53.80 | 26.73 | 25.93 | 15.95 | 20.45 | PRESENT      | YES    | 1728320036              |

|   |          |                     |  |  |  |                |  |  |  |   |  |          |          |          |     |     |    |
|---|----------|---------------------|--|--|--|----------------|--|--|--|---|--|----------|----------|----------|-----|-----|----|
| THIS DRAWING CONTAINS INFORMATION THAT IS PROPRIETARY TO MOLEX ELECTRONIC TECHNOLOGIES, LLC AND SHOULD NOT BE USED WITHOUT WRITTEN PERMISSION |          |                     |  |  |  |                |  |  |  |   |  |          |          |          |     |     |    |
| DIMENSION UNITS<br><b>mm</b>  |          | SCALE<br><b>5:1</b> |  | CURRENT REV DESC: REMOVED OBSOLETE PART NUMBER AS PER PCN#511691.  |  |                |  |  |  |   |  |          |          |          |     |     |    |
| GENERAL TOLERANCES (UNLESS SPECIFIED)   |          |                     |  | <div style="text-align: center; font-size: 2em; font-weight: bold; margin-bottom: 10px;">molex</div> <p>NEOPRESS 6 ROW PLUG ASSY, 100 OHMS<br/>100 OHM</p> <p>PRODUCT CUSTOMER DRAWING</p> |  |                |  |  |  |   |  |          |          |          |     |     |    |
| ANGULAR TOL ± 0.5°  |          |                     |  |  |  |                |  |  |  |   |  |          |          |          |     |     |    |
| 4 PLACES ±  |          |                     |  |  |  |                |  |  |  |   |  |          |          |          |     |     |    |
| 3 PLACES ±  |          |                     |  |  |  |                |  |  |  |   |  |          |          |          |     |     |    |
| 2 PLACES ± 0.15   |          |                     |  |  |  |                |  |  |  |   |  |          |          |          |     |     |    |
| 1 PLACE ±   |          |                     |  |  |  |                |  |  |  |   |  |          |          |          |     |     |    |
| 0 PLACES ±  |          |                     |  | EC NO: 737858  |  | 2023/02/08     |  | <div style="text-align: center; font-size: 1.5em; font-weight: bold;">1728010002</div> |  | <table border="1"> <tr> <td>DOC TYPE</td> <td>DOC PART</td> <td>REVISION</td> </tr> <tr> <td>PSD</td> <td>000</td> <td>D1</td> </tr> </table> |  | DOC TYPE | DOC PART | REVISION | PSD | 000 | D1 |
| DOC TYPE  | DOC PART | REVISION            |  |  |  |                |  |  |  |   |  |          |          |          |     |     |    |
| PSD   | 000      | D1                  |  |  |  |                |  |  |  |   |  |          |          |          |     |     |    |
| INITIAL REVISION:   |          |                     |  | DRWN: GMINNICK   |  | 2017/04/19     |  |  |  |   |  |          |          |          |     |     |    |
|   |          |                     |  | APPR: GGA  |  | 2023/02/24     |  |  |  |   |  |          |          |          |     |     |    |
| DRAFT WHERE APPLICABLE MUST REMAIN WITHIN DIMENSIONS  |          |                     |  | THIRD ANGLE PROJECTION   |  | DRAWING SERIES |  | MATERIAL NUMBER  |  | CUSTOMER SHEET NUMBER   |  |          |          |          |     |     |    |
|   |          |                     |  | E-SIZE   |  | 172801         |  | SEE TABLE  |  | 1 OF 2  |  |          |          |          |     |     |    |

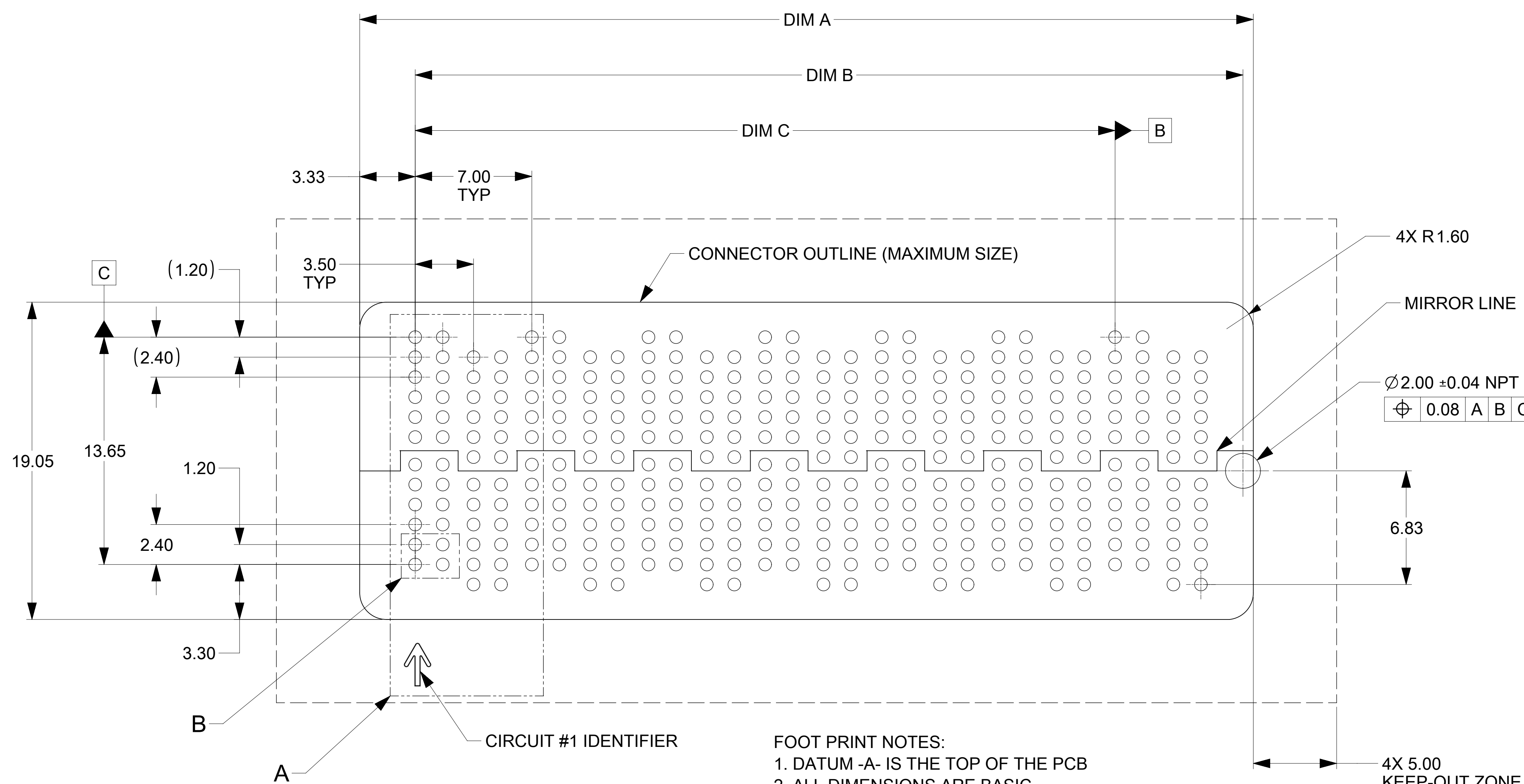
CIRCLED VIAS ARE CONNECTED TO THE SAME SHIELD TERMINAL. ALSO, ALL SHIELD VIAS ARE ELECTRICALLY INTERCONNECTED INSIDE THE CONNECTOR. (SEE CHART FOR EXCEPTIONS FOR POWER TERMINALS\*. THE LOW SPEED TRIADS SHIELD TERMINALS MUST BE USED FOR GROUNDS ONLY AND MAY BE CONNECTED TO OTHER SHIELDS IN THIS CONNECTOR EXCEPT THE ELECTRICALLY ISOLATED SHIELDS).



DETAIL A  
SCALE 12:1  
NUMBERING SCHEME



DETAIL B  
SCALE 16:1



FOOT PRINT NOTES:  
1. DATUM -A- IS THE TOP OF THE PCB  
2. ALL DIMENSIONS ARE BASIC

FOOT PRINT 6X14 SHOWN

| MATERIAL NUMBER | NO. OF COLUMNS | DIM A | DIM B | DIM C | ELECTRICALLY ISOLATED SHIELDS *  | LOW SPEED TRIADS *   |
|-----------------|----------------|-------|-------|-------|--|--|
| 1728010001      | 14             | 53.80 | 49.68 | 42.00 | COLUMN 14: B27,B28,D27,D28,F27,F28,G27,G28,J27,J28,L27,L28   | COLUMN 13: B25,B26,D25,D26,F25,F26,G25,G26,J25,J26,L25,L26 |
| 1728010005      | 10             | 39.80 | 35.68 | 28.00 | N/A  | N/A  |
| 1728010006      | 10             | 39.80 | 35.68 | 28.00 | N/A  | N/A  |
| 1728010013      | 16             | 60.80 | 56.68 | 49.00 | N/A  | N/A  |
| 1728010017      | 8              | 32.80 | 28.68 | 21.00 | N/A  | N/A  |
| 1728010018      | 12             | 46.80 | 42.68 | 35.00 | N/A  | N/A  |
| 1728010021      | 20             | 74.80 | 70.68 | 63.00 | COLUMN 19: B37,B38,D37,D38,F37,F38,G37,G38,J37,J38,L37,L38 COLUMN 20: B39,B40,D39,D40,F39,F40,G39,G40,J39,J40,L39,L40  | COLUMN 18: B35,B36,D35,D36,F35,F36,G35,G36,J35,J36,L35,L36 |
| 1728010022      | 25             | 92.30 | 88.18 | 80.50 | N/A  | N/A  |
| 1728010035      | 16             | 60.80 | 56.68 | 49.00 | COLUMN 15: B29,B30,D29,D30,F29,F30,G29,G30,J29,J30,L29,L30 COLUMN 16: B31,B32,D31,D32,F31,F32,G31,G32,J31,J32,L31,L32  | COLUMN 14: B27,B28,D27,D28,F27,F28,G27,G28,J27,J28,L27,L28 |
| 1728010037      | 14             | 53.80 | 49.68 | 42.00 | COLUMN 12: B23,B24,D23,D24,F23,F24,G23,G24,J23,J24,L23,L24 COLUMN 13: B25,B26,D25,D26,F25,F26,G25,G26,J25,J26,L25,L26 COLUMN 14: B27,B28,D27,D28,F27,F28,G27,G28,J27,J28,L27,L28 | COLUMN 11: B21,B22,D21,D22,F21,F22,G21,G22,J21,J22,L21,L22 |

|   |  |                        |  |   |  |                         |  |                                     |  |                          |  |
|---|--|------------------------|--|---|--|-------------------------|--|-------------------------------------|--|--------------------------|--|
| THIS DRAWING CONTAINS INFORMATION THAT IS PROPRIETARY TO MOLEX ELECTRONIC TECHNOLOGIES, LLC AND SHOULD NOT BE USED WITHOUT WRITTEN PERMISSION |  |                        |  |   |  |                         |  |                                     |  |                          |  |
| DIMENSION UNITS<br><b>mm</b>  |  | SCALE<br><b>1:1</b>    |  | CURRENT REV DESC: REMOVED OBSOLETE PART NUMBER AS PER PCN#511691. |  |                         |  |                                     |  | <b>molex</b>             |  |
| GENERAL TOLERANCES (UNLESS SPECIFIED)   |  |                        |  | EC NO: 737858   |  |                         |  |                                     |  |                          |  |
| ANGULAR TOL ± 0.5°  |  |                        |  | DRWN: SANTHN 2023/02/08   |  |                         |  |                                     |  | PRODUCT CUSTOMER DRAWING |  |
| 4 PLACES ±  |  |                        |  | CHK'D: GGA 2023/02/24   |  |                         |  |                                     |  |                          |  |
| 3 PLACES ±  |  |                        |  | APPR: GGA 2023/02/24  |  |                         |  |                                     |  | DOC TYPE<br><b>PSD</b>   |  |
| 2 PLACES ± 0.15   |  |                        |  | INITIAL REVISION:   |  |                         |  |                                     |  |                          |  |
| 1 PLACE ±   |  |                        |  | DRWN: GMINNICK 2017/04/19   |  |                         |  |                                     |  | REVISION<br><b>D1</b>    |  |
| 0 PLACES ±  |  |                        |  | APPR: KLANG 2017/07/31  |  |                         |  |                                     |  |                          |  |
| DRAFT WHERE APPLICABLE MUST REMAIN WITHIN DIMENSIONS  |  | THIRD ANGLE PROJECTION |  | DRAWING<br><b>E-SIZE</b>  |  | SERIES<br><b>172801</b> |  | MATERIAL NUMBER<br><b>SEE TABLE</b> |  | CUSTOMER                 |  |