



Tango 11A

GSM/GPRS (2G) & UMTS (3G) Puck Antenna

Key Features

- Quad Band GSM / GPRS 2G and UMTS 3G
- Low profile
- Peak gain of 3dBi



General Description

The Tango 11A puck antennas operate on 850/900/1800/1900/2100MHz bands supporting quad band GSM/GPRS networks throughout Europe, Asia and Africa with the addition of 3G UMTS.

The tough case and through hole mount design makes it suitable for use in external environments like high sided vehicles. The RF cable is fed via the through hole mount base to ensure no cable is visible when fixed and the rubber 'skirt' around the base protects against water ingress.

The antenna is finished with an SMA Male connector and comes in different cable lengths. Alternative connector types and cable lengths can be specified for volume orders.

Additional Considerations

- Internal or external use
- Strong puck design
- Meets all EU compliance criteria for electronic goods





Tango 11A

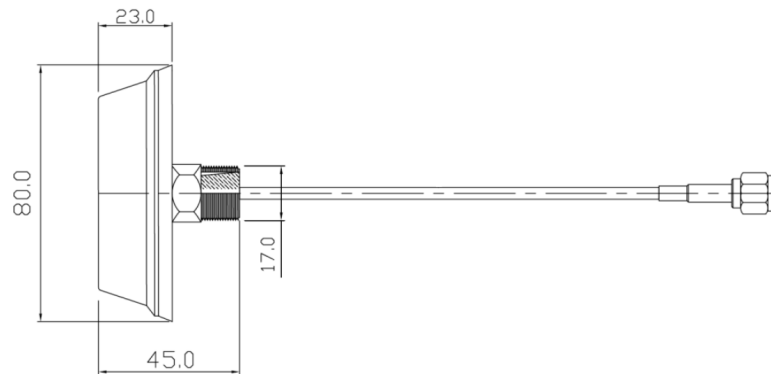
GSM/GPRS (2G) & UMTS (3G) Puck Antenna

Electrical Specifications

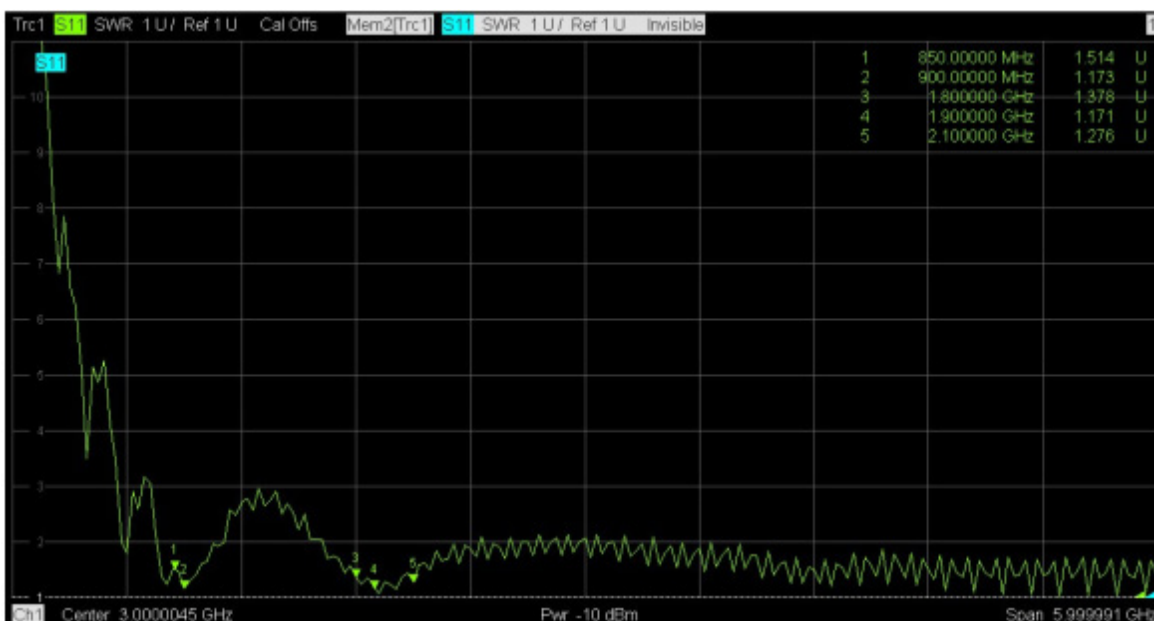
Temperature range:	-40 - 85°C
Humidity:	40 to 95% RH
Impedance:	50 Ohm
Gain:	3dBi
VSWR:	<1.8
Frequency Range:	850/ 900/ 1800/ 1900/ 2100MHz
Polarization:	Linear vertical
Humidity:	40% - 95% RH

Mechanical Specifications

Dimensions:	L45 x W80 x H23mm
Cable:	RG174
Connector:	SMA Male
Mounting Method:	22mm Screw Mount
Mounting screw length:	22mm
Max Panel Thickness:	13mm



VSWR

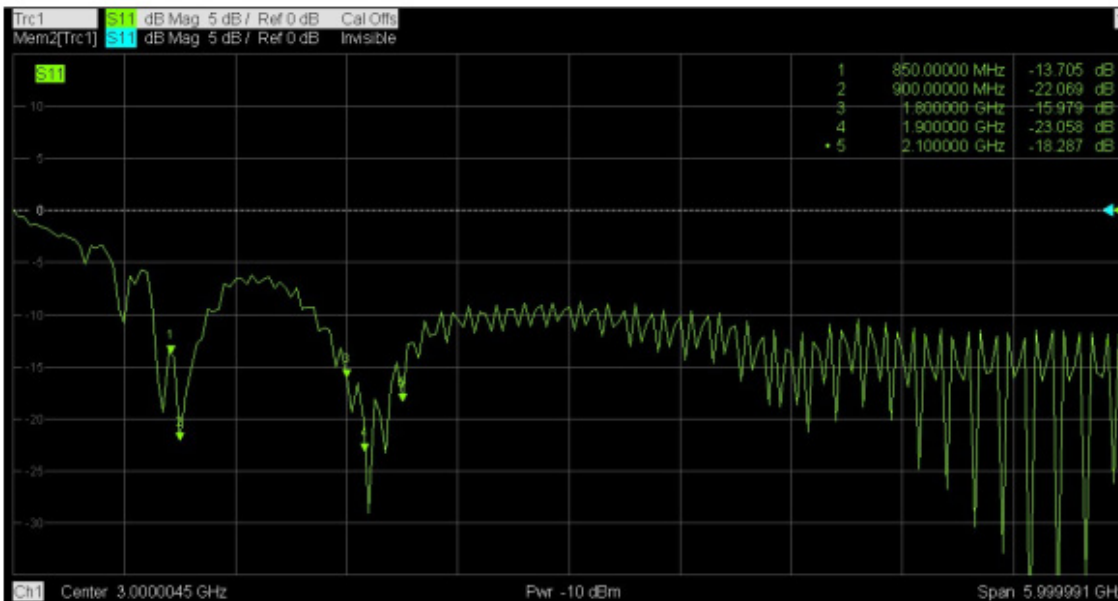




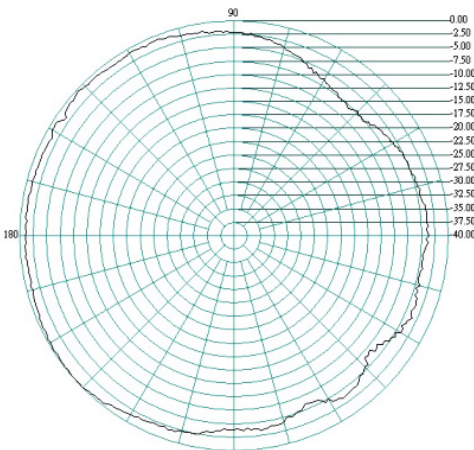
Tango 11A

GSM/GPRS (2G) & UMTS (3G) Puck Antenna

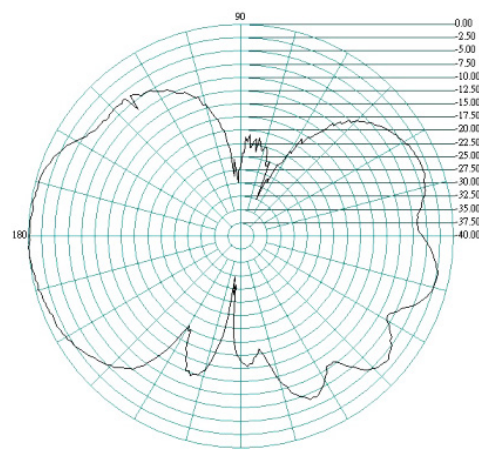
Return Loss



Radiation Pattern H Plane



E Plane



Ordering Details

Part Number	Description
TANGO11A/1.5M/SMAM/S/S/19	IP65 2G/GPRS & 3G Puck Antenna 1.5m Cable SMA Male Connector
TANGO11A/2.5M/SMAM/S/S/19	IP65 2G/GPRS & 3G Puck Antenna 2.5m Cable SMA Male Connector
TANGO11A/5M/SMAM/S/S/19	IP65 2G/GPRS & 3G Puck Antenna 5m Cable SMA Male Connector