

## LPS28DFW adapter board for a standard DIL24 socket



### Features

- Complete [LPS28DFW](#) pinout for a standard DIL24 socket
- Fully compatible with the [STEVAL-MKI109V3](#) motherboard
- RoHS compliant

### Description

The [STEVAL-MKI225A](#) is an adapter board designed to facilitate the evaluation of MEMS devices in the [LPS28DFW](#) product family.

The board offers an effective solution for fast system prototyping and device evaluation directly within the user's own application.

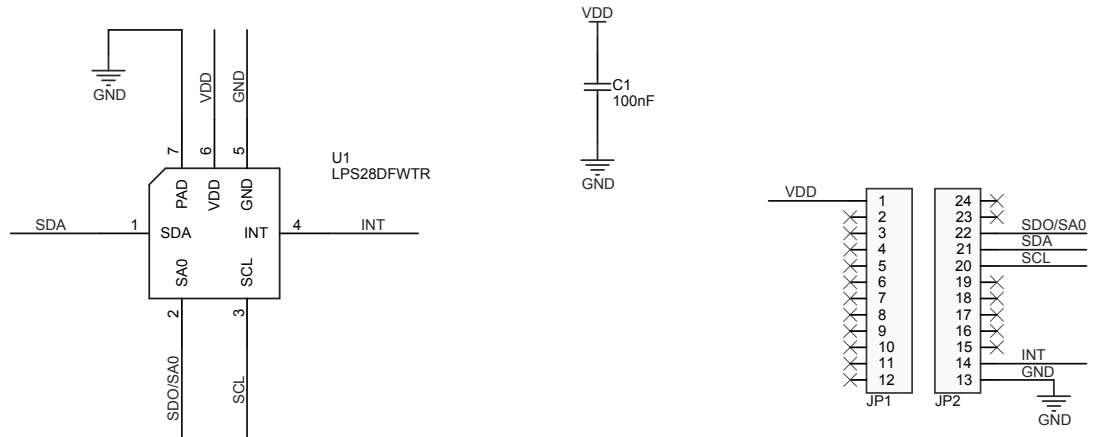
The [STEVAL-MKI225A](#) can be plugged into a standard DIL24 socket. The adapter provides the complete [LPS28DFW](#) pinout and comes ready-to-use with the required decoupling capacitors on the VDD power supply line.

This adapter is supported by the [STEVAL-MKI109V3](#) motherboard, which includes a high-performance 32-bit microcontroller functioning as a bridge between the sensor and a PC, on which it is possible to use the downloadable graphical user interface ([Unico-GUI](#)), or dedicated software routines for customized applications.

Product summary	
LPS28DFW adapter board for a standard DIL24 socket	<a href="#">STEVAL-MKI225A</a>
Dual full-scale, 1260 hPa and 4060 hPa, absolute digital output barometer with water-resistant package	<a href="#">LPS28DFWTR</a>
MEMS adapter motherboard based on the STM32F401VE	<a href="#">STEVAL-MKI109V3</a>
Motion MEMS and microphone MEMS expansion board for STM32 Nucleo	<a href="#">X-NUCLEO-IKS02A1</a>
Applications	Water Metering

# 1 Schematic diagrams

Figure 1. STEVAL-MKI225A circuit schematic



## 2 Board versions

Table 1. STEVAL-MKI225A versions

Finished good	Schematic diagrams	Bill of materials
STEVAL\$MKI225AA <sup>(1)</sup>	STEVAL\$MKI225AA schematic diagrams	STEVAL\$MKI225AA bill of materials

1. This code identifies the STEVAL-MKI225A evaluation board first version.

## Revision history

**Table 2. Document revision history**

Date	Revision	Changes
17-Mar-2022	1	Initial release.

**IMPORTANT NOTICE – READ CAREFULLY**

STMicroelectronics NV and its subsidiaries (“ST”) reserve the right to make changes, corrections, enhancements, modifications, and improvements to ST products and/or to this document at any time without notice. Purchasers should obtain the latest relevant information on ST products before placing orders. ST products are sold pursuant to ST’s terms and conditions of sale in place at the time of order acknowledgment.

Purchasers are solely responsible for the choice, selection, and use of ST products and ST assumes no liability for application assistance or the design of purchasers’ products.

No license, express or implied, to any intellectual property right is granted by ST herein.

Resale of ST products with provisions different from the information set forth herein shall void any warranty granted by ST for such product.

ST and the ST logo are trademarks of ST. For additional information about ST trademarks, refer to [www.st.com/trademarks](http://www.st.com/trademarks). All other product or service names are the property of their respective owners.

Information in this document supersedes and replaces information previously supplied in any prior versions of this document.

© 2022 STMicroelectronics – All rights reserved