



3Northway Lane North Latham,New York 12110.

Tollfree:1.800.984.5337

Phone:1.518.956.2980

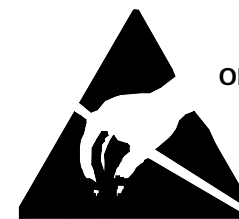
Fax:1.518.785.4725

*Http://www.marktechopto.com*

# SPECIFICATION

*PART NO. : MT6224B-AHRG-A*

**5.0mm ROUND BI-COLOR LAMP(3LEADS)**

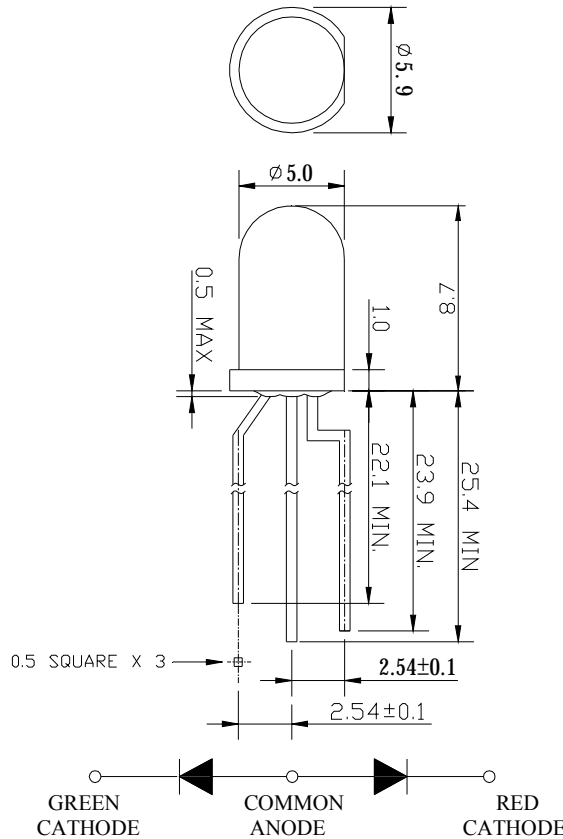


**ATTENTION**

**OBSERVE PRECAUTION  
FOR HANDLING  
ELECTRO STATIC  
SENSITIVE  
DEVICES**

**Description**

**This deep red and yellow green bi-color lamp is made with AlGaInP/GaAs red chip, AlGaInP/GaAs green chip and white diffused epoxy resin.**



**Notes:**

1. All dimensions are in mm.
2. The specifications, characteristics and technical data described in the datasheet are subject to change without notice.
3. Tolerance is  $\pm 0.25$ mm unless otherwise noted.

**Description**

Part No.	LED Chip		Lens Color
	Material	Emitting Color	
MT6224B-AHRG-A	AlGaInP/GaAs	Deep red	White diffused
	AlGaInP/GaAs	Yellow green	

**Absolute Maximum Ratings at Ta=25°C**

Parameter	Symbol	Rating		Unit
		R	G	
Power Dissipation	PD	R	72	mW
		G	72	
Reverse Voltage	V <sub>R</sub>	5		V
D.C. Forward Current	I <sub>f</sub>	30		mA
Reverse (Leakage) Current	I <sub>r</sub>	100		μA
Peak Current(1/10Duty Cycle,0.1ms Pulse Width.)	I <sub>f</sub> (Peak)	100		mA
Operating Temperature Range	T <sub>opr</sub>	-25 to +85		°C
Storage Temperature Range	T <sub>stg</sub>	-40 to +100		°C
Soldering Temperature(1.6mm from body)	T <sub>sol</sub>	Dip Soldering : 260°C for 5 sec. Hand Soldering : 350°C for 3 sec.		

**Electrical and Optical Characteristics:**

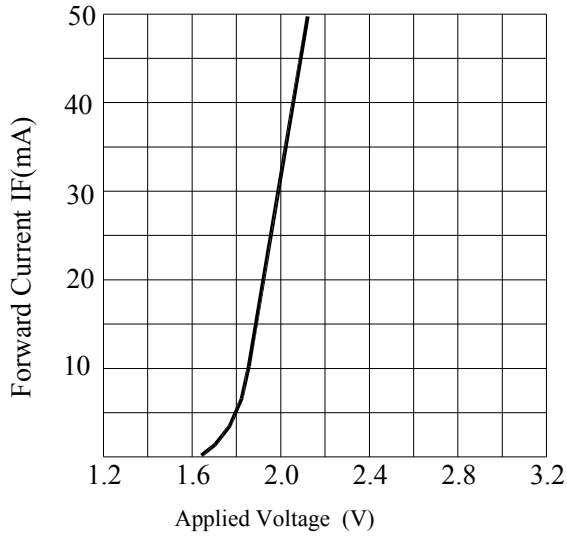
Parameter	Symbol	Condition	Color	Min.	Typ.	Max.	Unit
Luminous Intensity	I <sub>v</sub>	I <sub>f</sub> =20mA	R	9.09	20.0		mcd
			G	9.09	20.0		
Forward Voltage	V <sub>f</sub>	I <sub>f</sub> =20mA	R		1.9	2.4	V
			G		1.9	2.4	
Peak Wavelength	λ <sub>p</sub>	I <sub>f</sub> =20mA	R		650		nm
			G		573		
Dominant Wavelength	λ <sub>d</sub>	I <sub>f</sub> =20mA	R		639		nm
			G		570		
Reverse (Leakage) Current	I <sub>r</sub>	V <sub>r</sub> =5V				100	μA
Viewing Angle	2θ 1/2	I <sub>f</sub> =20mA			70		deg
Spectrum Line Halfwidth	Δλ	I <sub>f</sub> =20mA	R		20		nm
			G		20		

Notes: 1.Tolerance of Luminous Intensity is ±15%.

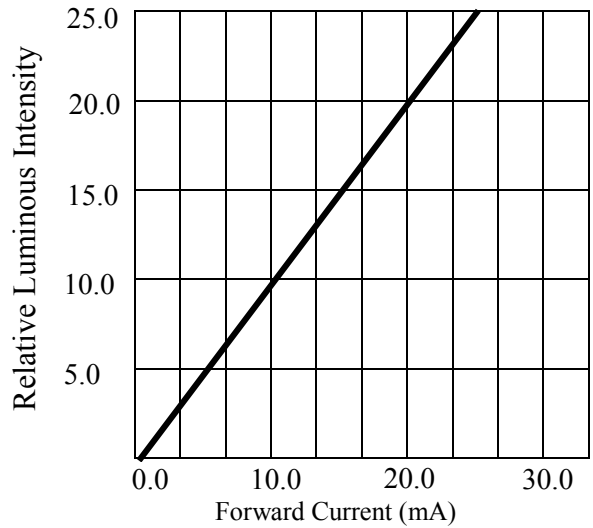
2.Tolerance of Forward Voltage is ±0.1V.

3.Tolerance of Dominant Wavelength is ±1nm.

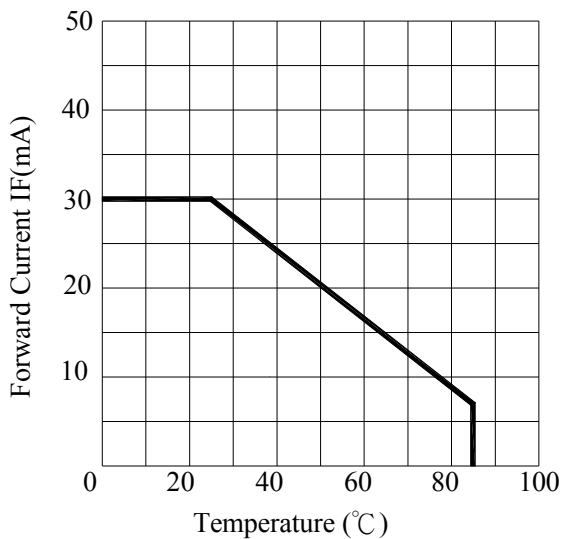
**Typical Electrical / Optical Characteristics Curves :**



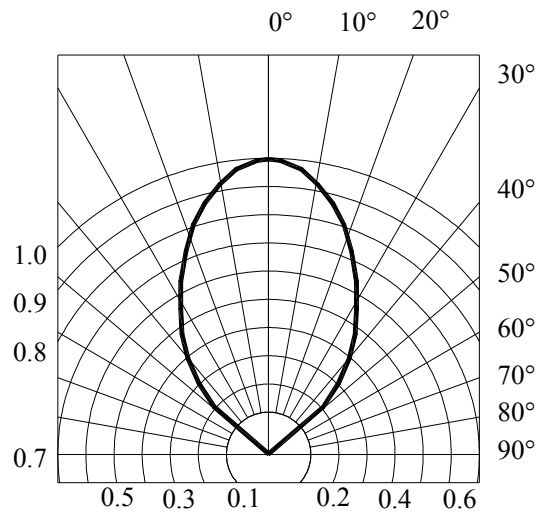
**FORWARD CURRENT VS.APPLIED VOLTAGE**



**FORWARD CURRENT VS. LUMINOUS INTENSITY**



**FORWARD CURRENT VS. AMBIENT TEMPERATURE**



**RADIATION DIAGRAM**

## Precautions:

### TAKE NOTE OF THE FOLLOWING IN USE OF LED

#### 1. Temperature in use

Since the light generated inside the LED needs to be emitted to outside efficiently, a resin with high light transparency is used; therefore, additives to improve the heat resistance or moisture resistance (silica gel, etc) which are used for semiconductor products such as transistors cannot be added to the resin. Consequently, the heat resistant ability of the resin used for LED is usually low; therefore, please be careful on the following during use. Avoid applying external force, stress, and excessive vibration to the resins and terminals at high temperature. The glass transition temperature of epoxy resin used for the LED is approximately 120-130°C. At a temperature exceeding this limit, the coefficient of linear expansion of the resin doubles or more compared to that at normal temperature and the resin is softened. If external force or stress is applied at that time, it may cause a wire rupture.

#### 2. Soldering

Please be careful on the following at soldering.

After soldering, avoided applying external force, stress, and excessive vibration until the products go to cooling process (normal temperature), <Same for products with terminal leads>

##### (1) Soldering measurements:

Distance between melted solder side to bottom of resin shall be 1.6mm or longer.

##### (2) Dip soldering :

Pre-heat: 90°C max. (Backside of PCB), Within 60 seconds.

Solder bath: 260±5°C (Solder temperature), Within 5 seconds.

##### (3) Hand soldering: 350°C max. (Temperature of soldering iron tip), Within 3 seconds.

#### 3. Insertion

Pitch of the LED leads and pitch of mounting holes need to be same.

#### 4. Others

Since the heat resistant ability of the LED resin is low, SMD components are used on the same PCB, please mount the LED after adhesive baking process for SMD components. In case adhesive baking is done after LED lamp insertion due to a production process reason, make sure not to apply external force, stress, and excessive vibration to the LED and follow the conditions below.

Baking temperature: 120°C max. Baking time: Within 60 seconds. If soldering is done sequentially after the adhesive baking, please perform the soldering after cooling down the LED to normal temperature.

## Disclaimer

1. Our department reserves the right(s) on the adjustment of product material mix for the specification.
2. The product meets our department published specification for a period of twelve (12) months from date of shipment.
3. The graphs shown in this datasheet are representing typical data only and do not show guaranteed values.
4. When using this product, please observe the absolute maximum ratings and the instructions for using outlined in these specification sheets. Our department assumes no responsibility for any damage resulting from the use of the product which does not comply with the absolute maximum ratings and the instructions included in these specification sheets.
5. These specification sheets include materials protected under copyright of our department. Reproduction in any form is prohibited without obtaining our department's prior consent.

This product is not intended to be used for military, aircraft, automotive, medical, life sustaining or life saving applications or any other application which can result in human injury or death. Please contact authorized our department sales agent for special application request.