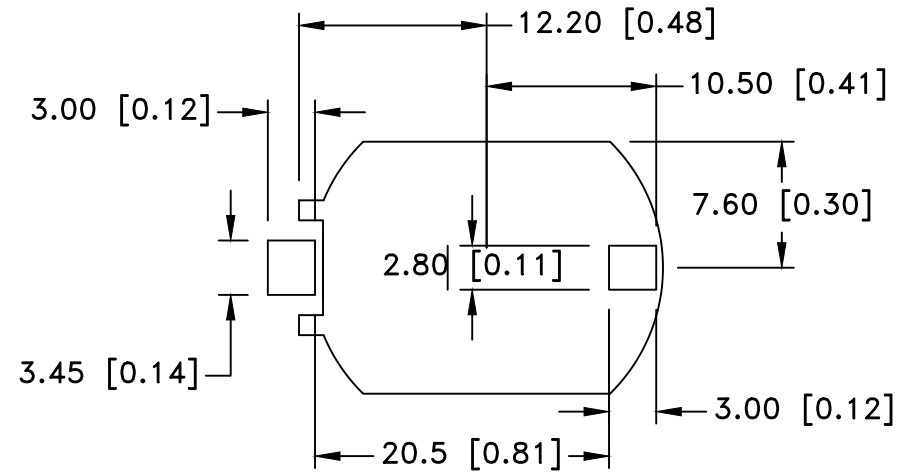
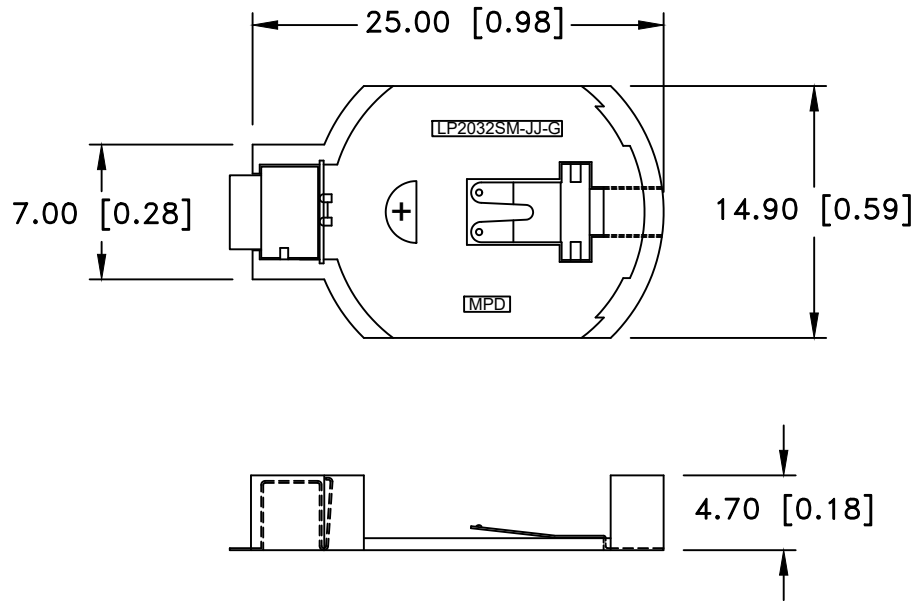


Date	SYM	REVISION RECORD	AUTH	DR.	CK.
12/04/15	C	Updated positive contact and material	T.B.	B.S.	
01/27/17	D	Updated UL File number	T.B.	B.S.	
10/24/19	E	Added weight of the part	T.B.	B.S.	



PCB LAYOUT

Weight: 0.70g

SPECIFICATIONS:

- * Holder material- Zenite 30% glass reinforced Liquid Crystal Polymer resin, UL File No. E344082, UL94V-0
- * Color: Off White
- * Contacts :
 - Positive: 0.020" thick Phosphor Bronze, GOLD FLASH
 - Negative: 0.020" thick Stainless steel 301, 3/4 hard , GOLD FLASH


* Temperature range: -40°C to +280°C

Vibration Test: 10-50-10 Hz swept in 60 seconds

X,Y,Z direction: 1 hour each direction, No dislodgement of the cell or damage, No discontinuity over 10 micro-seconds

Shock Test: Half sine wave acceleration 150g. 6 m/s, 3 shock pulses each direction per axis, total of 18 pulses, No evidence of physical damage

ROHS COMPLIANT

Tolerance (Except as noted)	 Memory Protection Devices, Inc 200 Broad Hollow Road, Farmingdale, New York 11735	Scale	Drawn By B.S.
			Approved By T.B.
decimal ±.5 (.020)	Title SURFACE MOUNT BATTERY HOLDER FOR CR2032		
Fractional ± .8 (.030)	Date 10/24/19	Drawing Number LP2032SM-JJ-GTR	
Angular ± 3°			