

SPECIFICATION

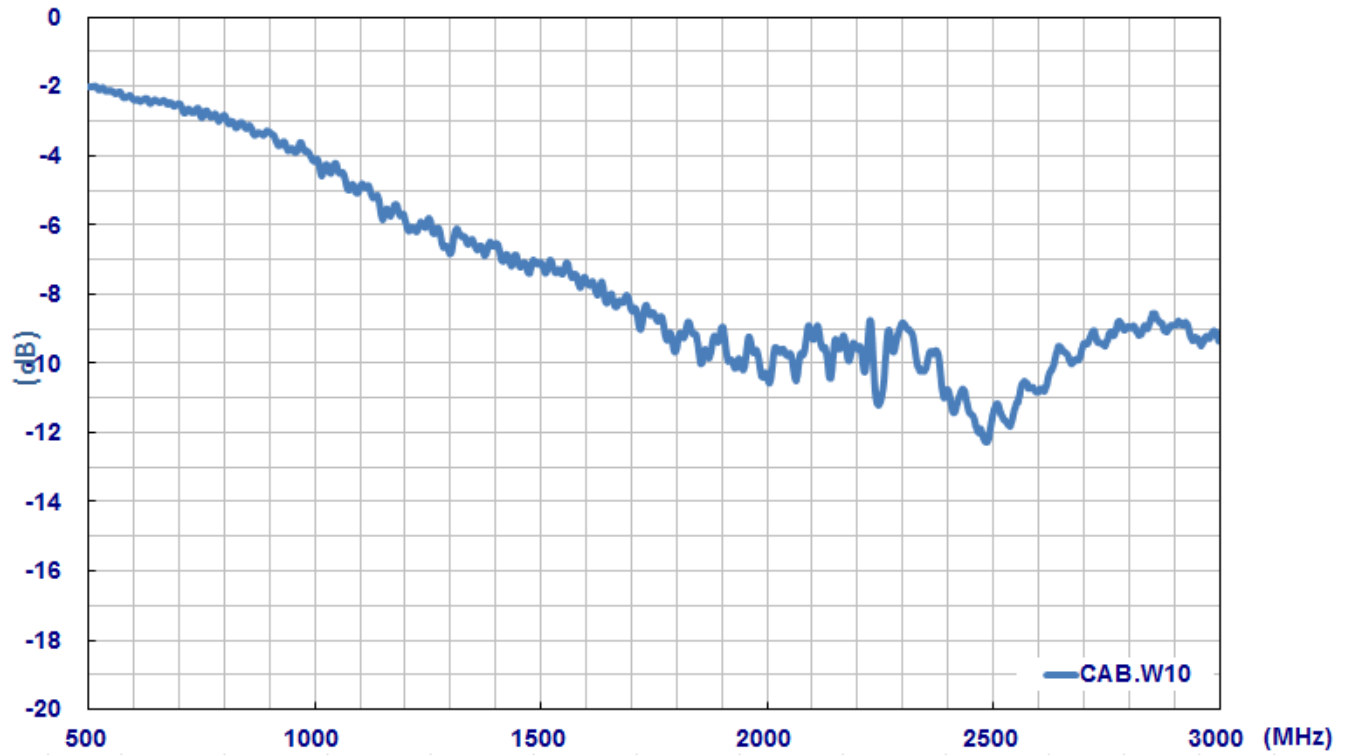
Part No. : **CAB.W10**

Product Name : Taoglas Cable Assembly
NMO Magnet Mount - 3/4 inch Style Brass Mount type to
SMA(M) Straight Plug
with 17ft(5182mm) RG-58 cable

Photo :

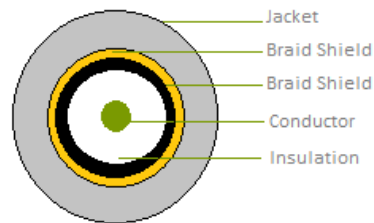


1. Cable Insertion Loss

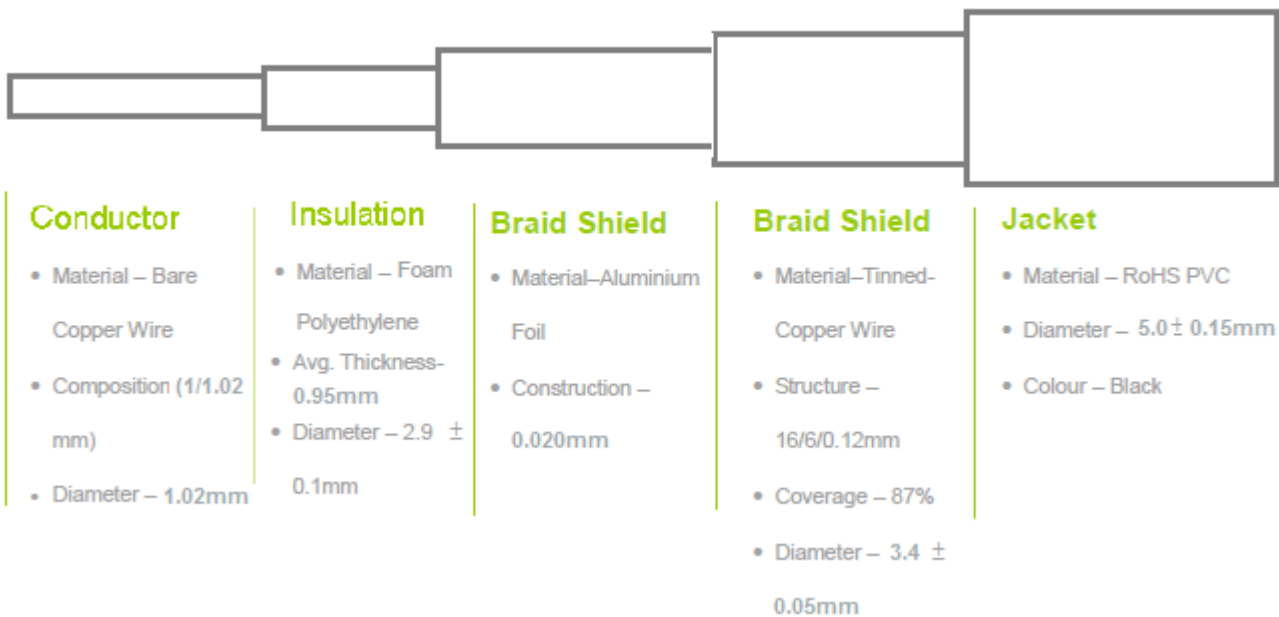


2. RG-58 Cable Specification

2.1 Drawing – Cross Section



2.2 Structure and Dimensions

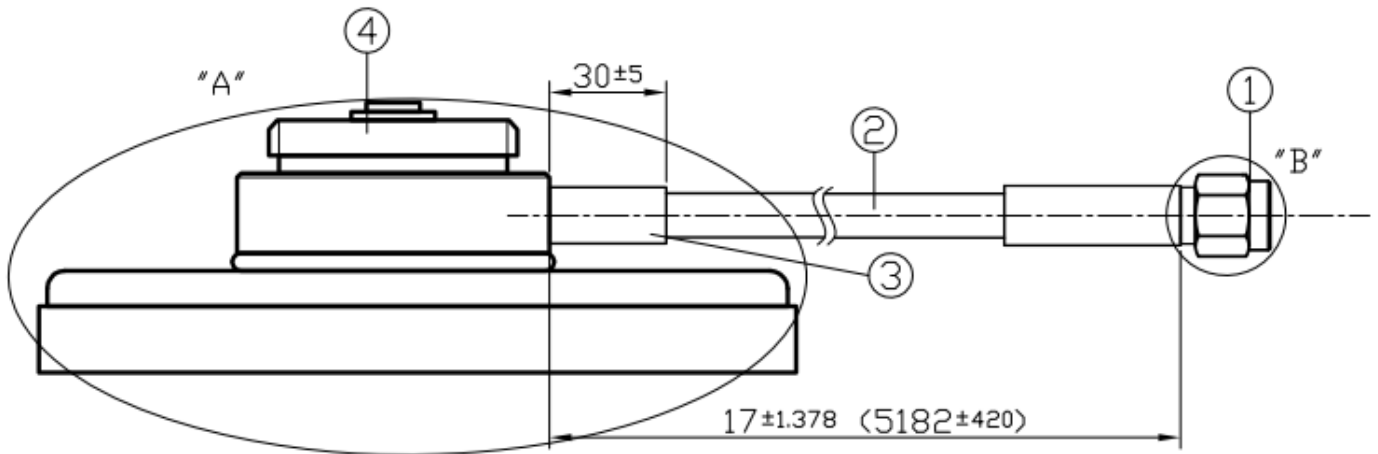


2.3 Electrical & Physical Specification

| | | | | | |
|------------------------|------------------|--------|--------|--------|---------|
| Insulation Resistance: | 1000 MΩ-Km (Min) | | | | |
| Capacitance | 83 ± 3 pF/m | | | | |
| Nom. Impedance | 53 ± 3 Ω | | | | |
| Attenuation (dB/100ft) | 200MHz | 400MHz | 700MHz | 900MHz | 1000MHz |
| | 4.66 | 6.32 | 8.45 | 9.67 | 10.2 |

3. Technical Drawing

3.1 CAB.W10



| | Name | Material | Finish | QTY |
|---|--------------------|----------|-----------|-----|
| 1 | SMA(M) ST | Brass | Ni Plated | 1 |
| 2 | RG58 Coaxial Cable | PVC | Black | 1 |
| 3 | Heat Shrink Tube | PE | Black | 1 |
| 4 | NMO(MM) | Brass | Ni Plated | 1 |

3.2 Connectors

