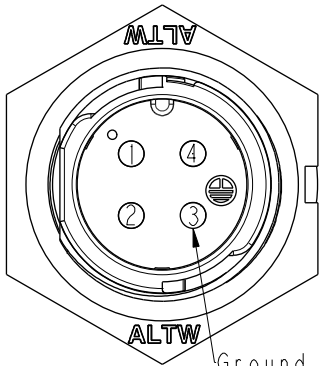
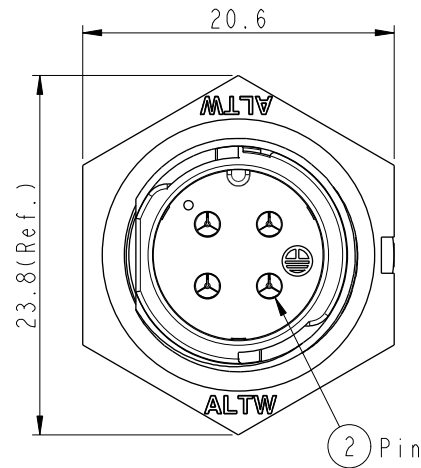
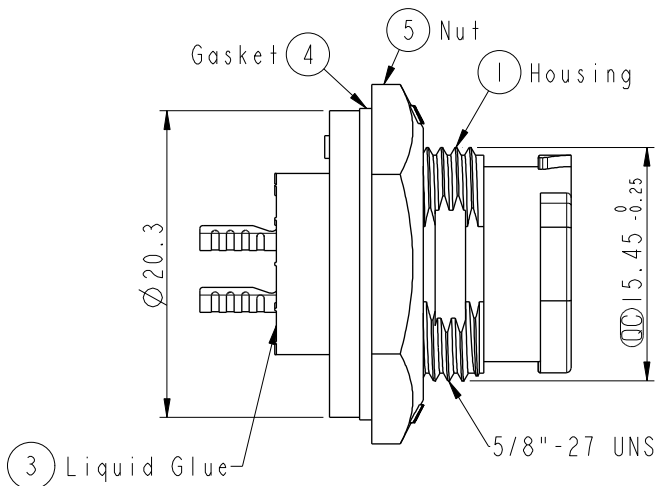
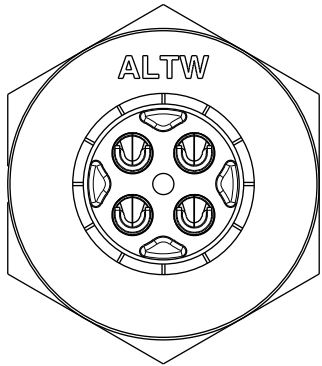
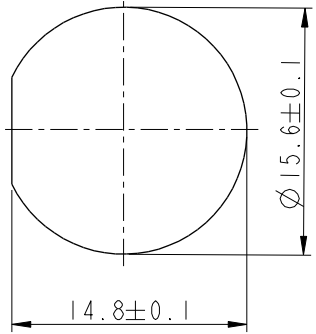


REV.	ECN NO.	DATE	SIGN	DESCRIPTION
B	CI90411	2019/03/14	Vicky	Change Note

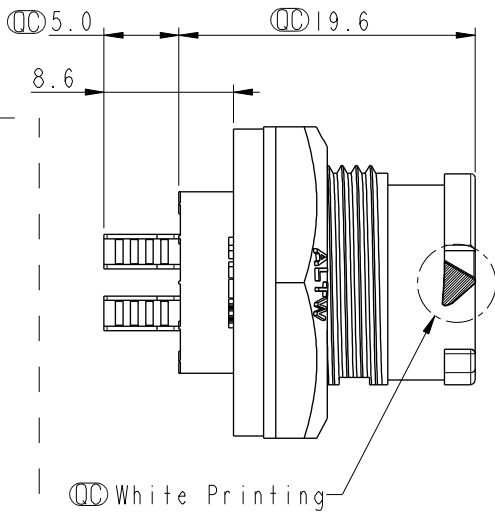
ALTW
CONFIDENTIAL
2019-03-14
R&D DEPT.



Pin Assignments
Front View

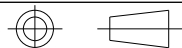


Recommended Panel Cut-out



- Note:
- * \varnothing Important Dimension To Check.
 - * Waterproof Rate: IP68, Unmated. In 1 meter water within 24 hours
 - * Housing: Thermoplastic, Black.
 - * Male Pin: Copper Alloy, Gold Plated.
 - * Nut: Thermoplastic, Black.
 - * Gasket: Rubber, Gary.
 - * Use Without Waterproof Cap Panel Thickness Max: 4.0mm
 - * Use With Waterproof Cap Panel Thickness Max: 3.0mm
 - * Gasket and Nut are packed separately in PE bags.

UNIT:mm



TOLERANCE
X ±0.25

TITLE
X Lok B-Size Receptacle
Front Fastened M Conn M 4 Pin

SCALE	2:1	SIZE	A4	SHEET	1	OF	1
REV.	B	WC-REV.	A.1	\varnothing : Inspection item			

Amphenol LTW
安費諾亮泰企業股份有限公司

ITEM NO	BB-04PMMS-QC800P	DRAWN BY	Vicky	DATE	2019-03-14
DWG NO	BB-04PMMS-QC800P	CHECKED BY	Rita	DATE	2019-03-14
CUSTOMER	ALTW	APPROVED BY	Max	DATE	2019-03-14

THIS DOCUMENT IS SUBJECT TO CHANGE WITHOUT NOTICE. IT IS CONFIDENTIAL AND A PROPERTY OF Amphenol LTW. DISCLOSURE TO THIRD PARTY HAS TO BE AUTHORIZED BY Amphenol LTW.