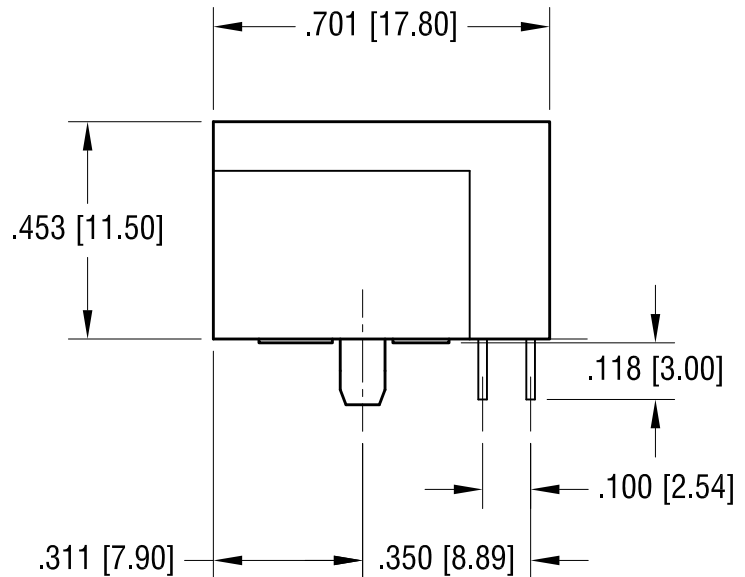
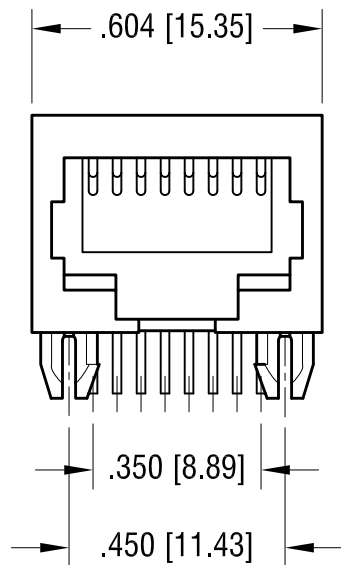
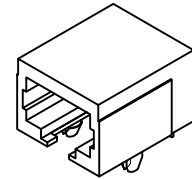
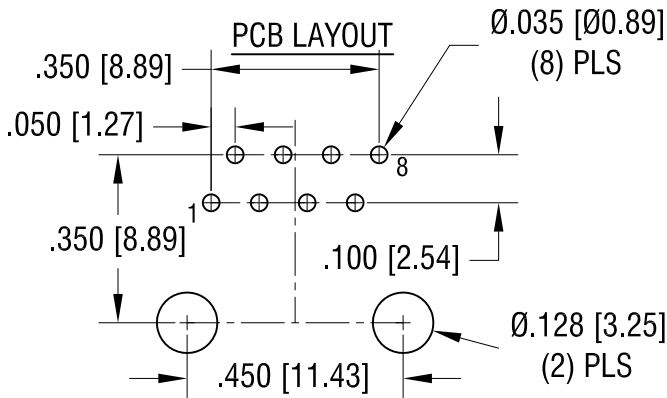


THIS DOCUMENT IS THE PROPERTY OF KEYSTONE ELECTRONICS CORP. AND SHALL NOT BE REPRODUCED, DISTRIBUTED OR USED AS A BASIS FOR MANUFACTURE WITHOUT PRIOR WRITTEN PERMISSION FROM KEYSTONE ELECTRONICS CORP.

ACTUAL SIZE



NOTE:

1. PLASTIC HOUSING:

MAT'L- PBT

RATED UL 94V-0, COLOR- BLACK

2. CONTACT: MAT'L PHOSPHOR BRONZE $\varnothing 0.18$ [0.46]

FINISH- GOLD PLATE, OVER NICKEL

3. DIELECTRIC WITHSTANDING VOLTAGE:

1000 VAC FOR 1 MIN.

4. STORAGE TEMPERATURE:

-40°F (-40°C) TO +176°F (+85°C)

OPERATION TEMPERATURE:

-4°F (-20°C) TO 167°F (+75°C)

5. VOLTAGE RATING: 125 VAC Rms.

CURRENT RATING- 1.5 Amps

CONTACT RESISTANCE- 30 m Ω MAX.

INSULATION RESISTANCE- 500 M Ω MIN. @500 VDC

DIELECTRIC STRENGTH: 1000 VAC Rms 60Hz. 1Min.

KEYSTONE ELECTRONICS CORP.

www.keyelco.com • NEW HYDE PARK, NY 11040 • Tel (516) 328-7500

PART NAME

MODULAR KEYSTONE JACK, 8P8C

MATERIAL

AS NOTED

FINISH

AS NOTED

DRN BY

NT

DATE

4.08.15

APP'D

RH

SCALE

2.5X

TOLERANCES

INCH [MM]

DECIMAL

$\pm .005$ [± 0.13]

ANGULAR $\pm 1^\circ$

UNLESS OTHERWISE SPECIFIED

CODE

C

DWG NO.

943

1.08.21 UPDATE PER NEW TOOLING
CHANGE AS PER ECN 21-015

A

REV.

DATE

DESCRIPTION