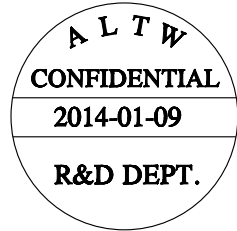
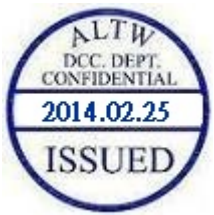
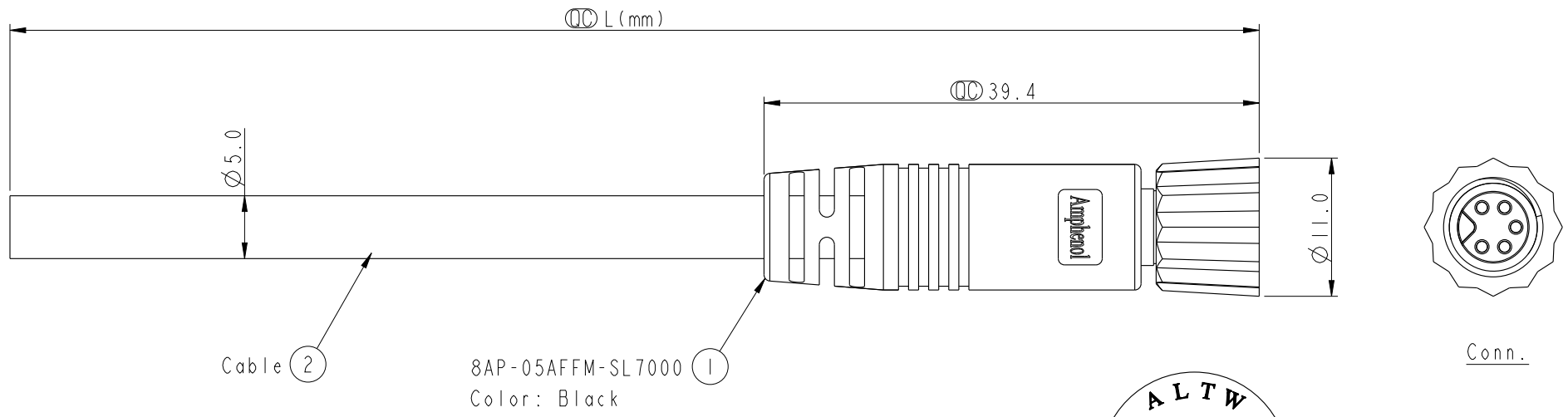


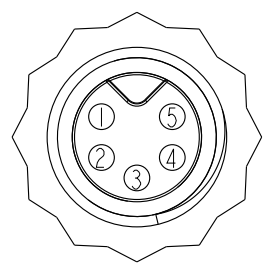
THIS DOCUMENT IS SUBJECT TO CHANGE WITHOUT NOTICE. IT IS CONFIDENTIAL AND A PROPERTY OF Amphenol LTW. DISCLOSURE TO THIRD PARTY HAS TO BE AUTHORIZED BY Amphenol LTW.

REV.	ECN NO.	DATE	SIGN	DESCRIPTION



8AP-05AFFM-SL7AXX  
 XX: 01~99Meters  
 01: 01Meter  
 02: 02Meter  
 ...  
 99: 99Meters  
 Cable Length(L): 01~99Meters

- Note:
- \*  $\varnothing$  Important Dimension.
  - \* Waterproof Rate: IP67.
  - \* Connector: PU, Black.
  - \* Female Pin: Copper Alloy, Gold Plated.
  - \* Screw Nut: Nylon+GF, Black.
  - \* Cable: UL2464 24AWG\*5C+Talcum, PVC Jacket, UV Resistant, OD=5.0, Black.
  - \* Cable Length Tolerance:
    - 01M:  $\pm 40$ mm
    - 02~05M:  $\pm 60$ mm
    - 06~10M:  $\pm 100$ mm
    - 11~30M:  $\pm 200$ mm
    - 31~99M:  $\pm 500$ mm



Pin	Wire Color
5	Yellow 黃
4	Orange 橘
3	Red 紅
2	Brown 棕
1	Black 黑
Conn.	Wire Color

UNIT:mm		TITLE	M8 5Pin Cable F Conn. F Pin		
TOLERANCE	$\pm 0.5$ mm	SCALE	2:1	SIZE	A4
		REV.	A	WC-REV.	A.3
				$\varnothing$	Inspection item

**Amphenol LTW**  
 安費諾亮泰企業股份有限公司

ITEM NO	DRAWN BY	DATE
DWG NO	CHECKED BY	DATE
CUSTOMER	APPROVED BY	DATE
	Mila	2014-01-09
8AP-05AFFM-SL7AXX	Jimmy	2014-01-09
ALTW	Jerry	2014-01-09