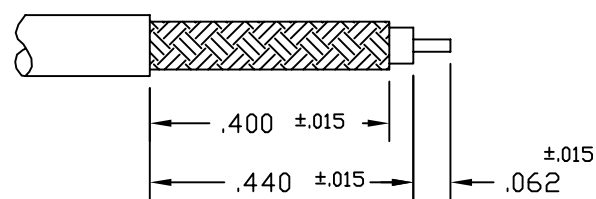
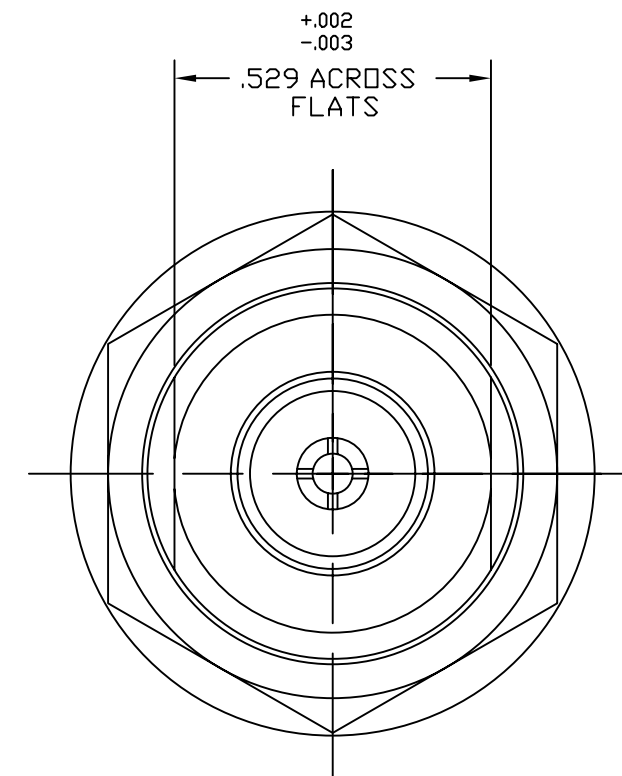
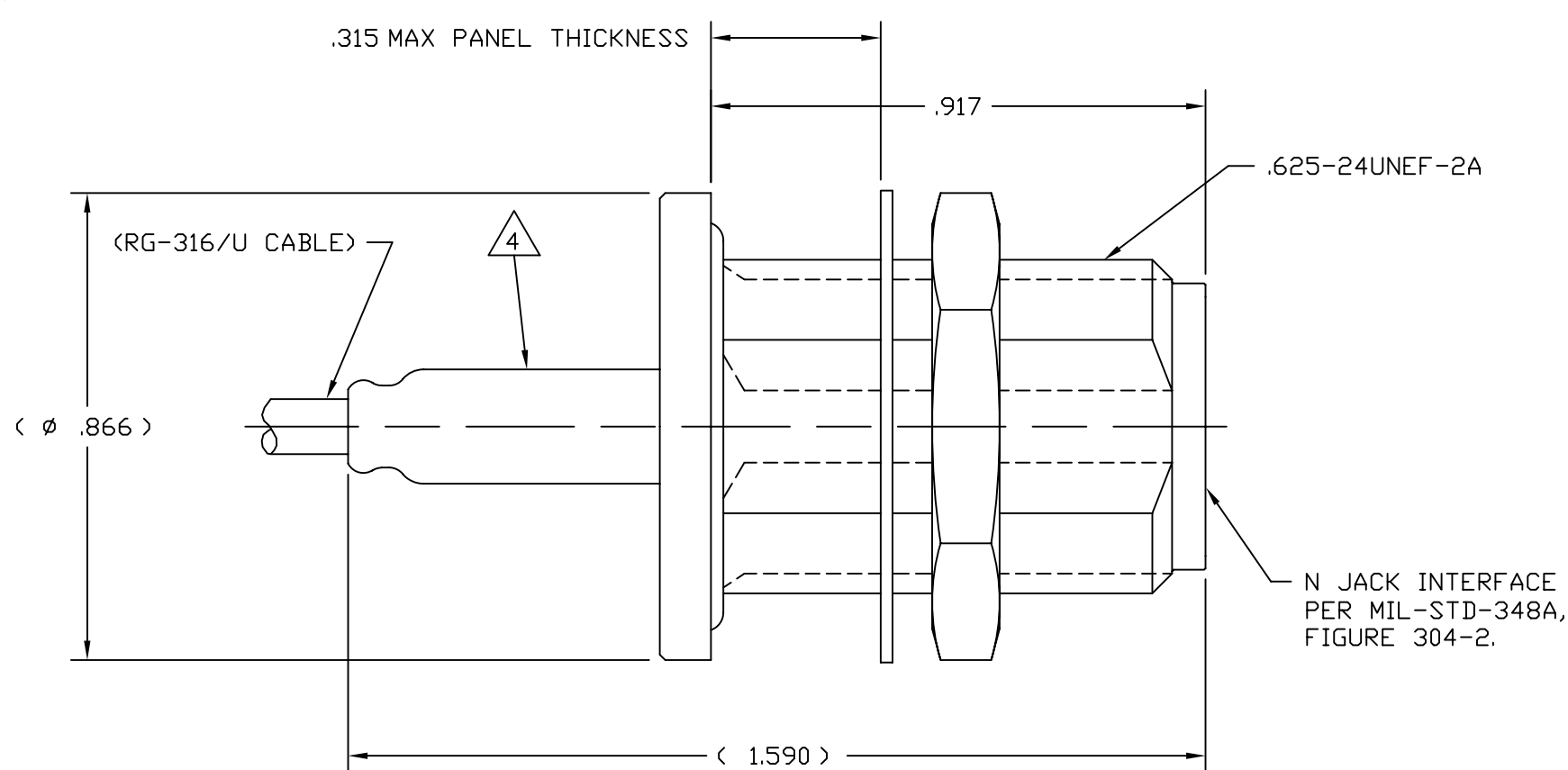


NOTES:

- 1 MATERIAL:
 INSULATOR - PTFE (TEFLON) PER ASTM D 1457.
 O-RING - SILICONE RUBBER PER ZZ-R-765.
 FERRULE - COPPER ALLOY 110 OR 122.
 BODY, BUSHING AND HEX NUT - BRASS, COMP 360, PER QQ-B-626.
 FRONT AND REAR CONTACTS - BeCu PER QQ-C-530.
 LOCKWASHER - PHOS. BRONZE PER QQ-B-750.
- 2 FINISH:
 BODY, BUSHING AND FERRULE - ASTROPLATE PER AMPHENOL SPEC 349-50560.
 FRONT AND REAR CONTACTS - GOLD PLATED PER AMPHENOL SPEC 349-50560.
- 3. DIMENSIONS ENCLOSED BY PARENTHESIS ARE REFERENCE.
- 4 CRIMP WITH AMPHENOL TOOL 227-944 (M22520/5-01) AND DIE SET 227-1221-09, CAVITY 'A' (M22520/5-09, CLOSURE 'A') (.178 HEX). OR CRIMP USING COMMERCIAL TOOL CTL-2, .178 HEX.

- 6. DO NOT SCALE THIS DRAWING.
- 7. UNLESS OTHERWISE SPECIFIED, ALL DIMENSIONS ARE AFTER PLATING.

82-5933		REVISIONS			
DRAWING NO.	REV	DESCRIPTION	DATE	ECO	APPR
THIRD ANGLE PROJ.		OFFICIAL ENG. RELEASE TO MFG.			
	B	ADDED SHEET 2	6/20/95	40633	CPM/
	C	DELETED NOTE 5	6/29/06	46159	CPM/



RECOMMENDED CABLE STRIPPING DIMENSIONS

CUSTOMER OUTLINE DRAWING
 ALL OTHER SHEETS ARE FOR INTERNAL USE ONLY

UNLESS OTHERWISE SPECIFIED, DIMENSIONS ARE IN INCHES AND TOLERANCES ARE: 2 PLACE DECIMAL 3 PLACE DECIMAL ANGLES ±.015 (0,381 mm) ±.005 (0,127 mm) ± 1'	MATERIAL	DRAWN R. VACCARD	DATE 8/9/91	TITLE N BULKHEAD JACK FOR RG-316/U CABLE		Amphenol Amphenol Corporation RF/Microwave Operations Danbury, Conn. U.S.A. 06810	
	REFERENCE EAR 962438-1	ENGINEER	DATE				
NOTICE - These drawings, specifications, or other data (1) are, and remain the property of Amphenol Corp. (2) must be returned upon request; and (3) are confidential and not to be disclosed to any person other than those to whom they are given by Amphenol Corp. The furnishing of these drawings, specifications, or other data by Amphenol Corp., or to any other person to anyone for any purpose is not to be regarded by implication or otherwise in any manner licensing, granting rights or permitting such holder or any other person to manufacture, use or sell any product, process or design, patented or otherwise, that may in any way be related to or disclosed by said drawings, specifications, or other data.		CAD FILE H:\DEPT611\N\082\5933SH2	CODE ID 74868	DWG SIZE B	DRAWING NO. 82-5933	SCALE: 3:1	SHEET 2 OF 2
						ISSUE C	