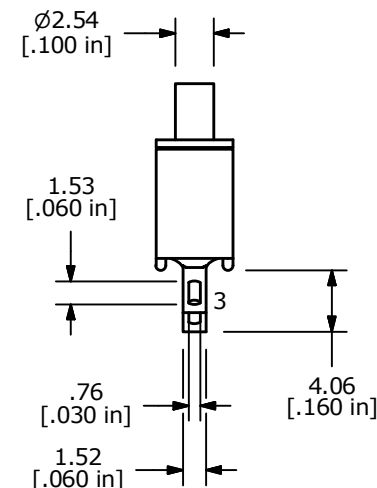
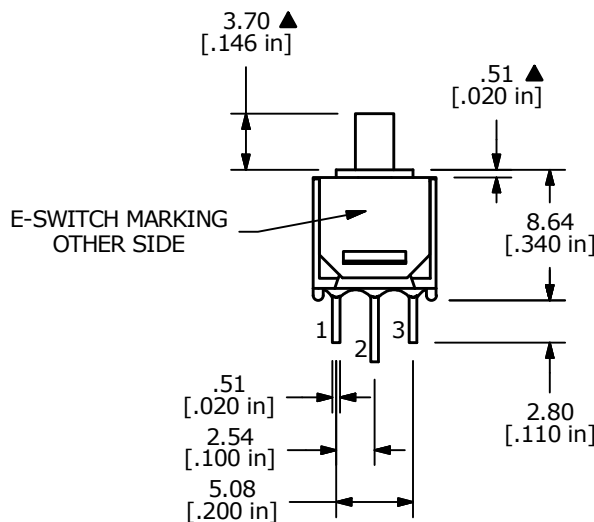
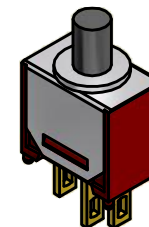
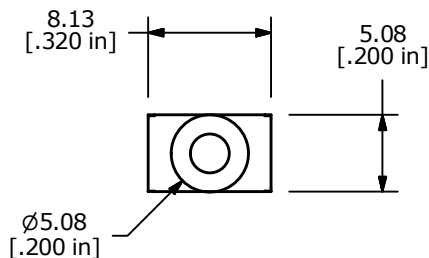
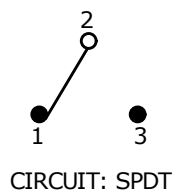


SWITCH FUNCTION	
POS. 1	POS. 2
ON	(ON)
2-1	2-3

(ON)=MOMENTARY



- NOTE:
1. ALL DIMENSIONS IN MM [INCH]
  2. GENERAL TOLERANCE: X.X=±0.4  
X.XX=±0.25
  3. TERMINAL NUMBERS FOR REF ONLY
  - ▲ 4. CONTACT MATERIAL: COPPER ALLOY W/ GOLD PLATE OVER NICKEL PLATE
  - ▲ 5. RATING: 0.4VA @ 20V AC OR DC MAX.
  6. MECHANICAL LIFE: 50,000 MAKE-AND-BREAK CYCLES
  7. CONTACT RESISTANCE: 20 mΩ MAX. INITIAL @ 2-4VDC  
100mA FOR BOTH GOLD AND SILVER CONTACTS
  8. INSULATION RESISTANCE: 1,000 MEGA-OHM MIN.
  9. ELECTRIC STRENGTH: 1,000 V RMS @SEA LEVEL.
  10. OPERATING TEMP.: -30°C to 85°C
  11. ▲ DENOTES CRITICAL PARAMETER.
  12. 2002/95/EC (ROHS) COMPLIANT

D	21937	Correct Switch Function Diagram	7/31/15	MW
C	21901	REMOVE PANEL MNT. DETAIL	7/14/15	MW
B	20023	REVISED AND REDRAWN	06/24/11	BMA
REV	PCR NO	DESCRIPTION	DATE	BY

TITLE 800SP8B10M1RE				
SCALE	DATE	DR	DWG	REV
2:1	6/24/2011	BMA	T822022	D

THE INFORMATION CONTAINED IN THIS DOCUMENT IS PROPRIETARY TO E-SWITCH AND IS NOT TO BE COPIED OR TRANSFERRED