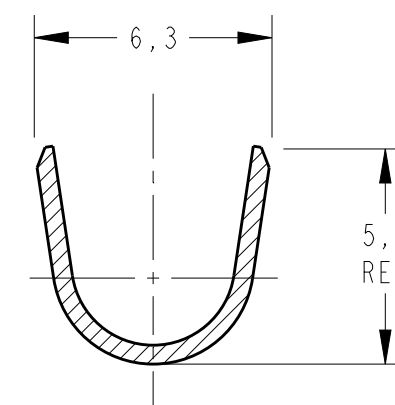
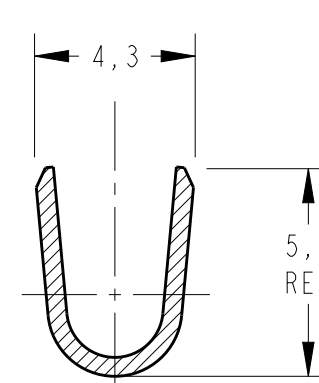
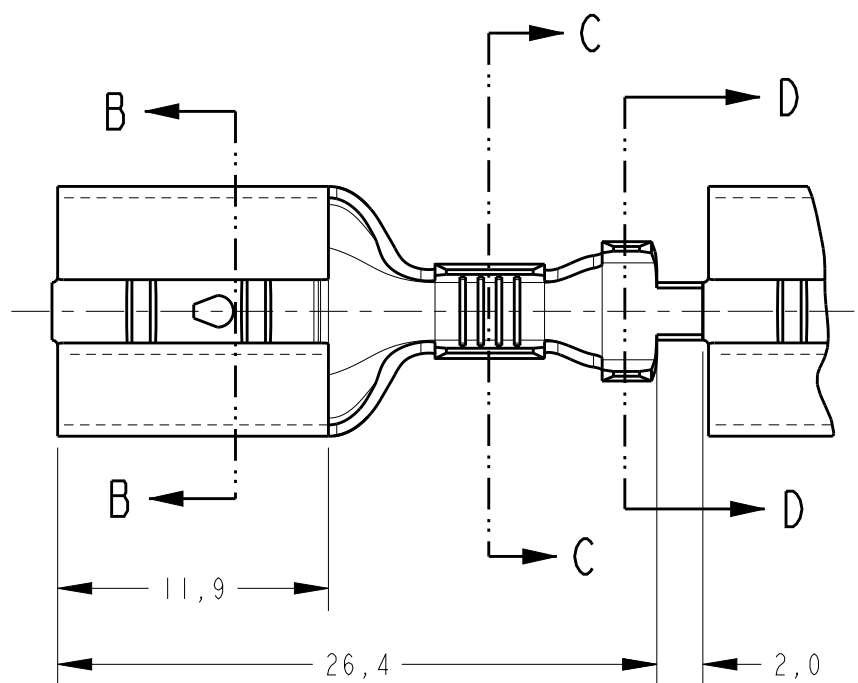


creo
Creo Parametric 2.0
**DO NOT REVISE
EXCEPT BY CAD**

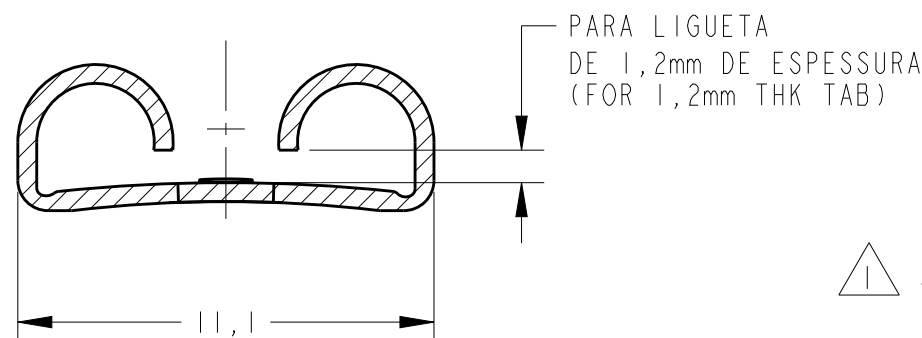
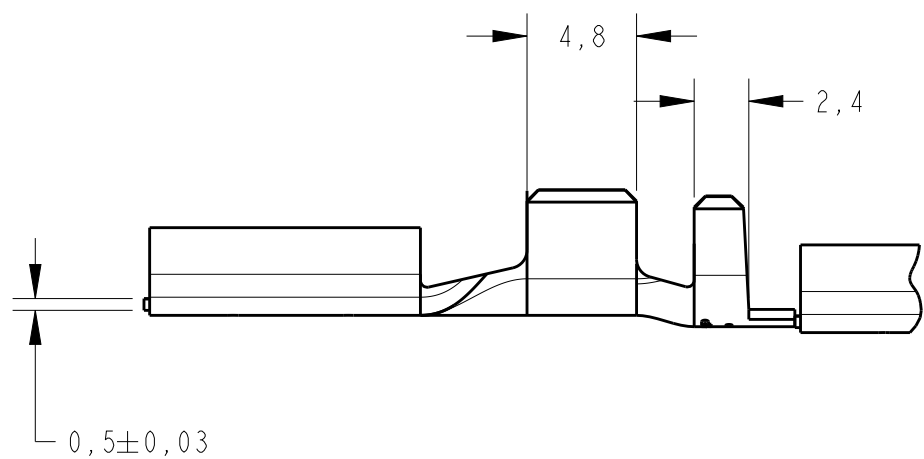
REVISIONS

P	LTR	DESCRIPTION	DATE	DWN	APVD
	C	REDRAW BY CAD ECO-14-007082	13MAY2014	NCL	LWP
	CI	REV. BY ECO 16-003725	23JUN2016	HC	WLS



SECTION C-C
SCALE 5:1

SECTION D-D
SCALE 5:1

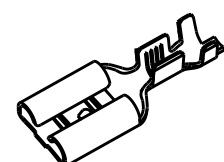


SECTION B-B
SCALE 5:1

△ - OBSOLETE PARTS: OBSOLETE CIS STREAMLINING PER PER D.RENAUD/D.SINISI

OBSOLETE	PRATA SOBRE NIQUEL SILVER PLATED OVER NICKEL	LATÃO / BRASS	626204-5	△
OBSOLETE	ESTANHADO/TIN PLATED	BRONZE FOSE PHOSF.BRONZE	626204-4	△
OBSOLETE		BRONZE FOSE PHOSF.BRONZE	626204-3	
	ESTANHADO/TIN PLATED	LATÃO / BRASS	626204-2	
OBSOLETE		LATÃO / BRASS	626204-1	△

FINISH	MATERIAL	PART NUMBER
--------	----------	-------------



PERSPECTIVE VIEW
SCALE 1:1

WIRE RANGE
2,5-4,0mm²
INSUL. RANGE
Ø 3,3-4,5mm

THIS DRAWING IS A CONTROLLED DOCUMENT.

DIMENSIONS:	TOLERANCES UNLESS OTHERWISE SPECIFIED:
mm	
0 PLC	±°
1 PLC	±0,3
2 PLC	±-
3 PLC	±--
4 PLC	±-
ANGLES	±°
MATERIAL	FINISH
SEE TABLE	SEE TABLE

DWN	27FEB2014
NCL	APRESA
CHK	27FEB2014
JRG	GOLDSCHMIDT
APVD	27FEB2014
DAO	LIVEIRA
PRODUCT SPEC	108-37014
APPLICATION SPEC	114-18022
WEIGHT	-
Customer Drawing	

STE TE Connectivity			
NAME - .375 SERIES FASTON RECEPTACLE			
SIZE	CAGE CODE	DRAWING NO	RESTRICTED TO
A3	AP	©-626204	-
SCALE 3:1		SHEET 1 OF 1	REV CI