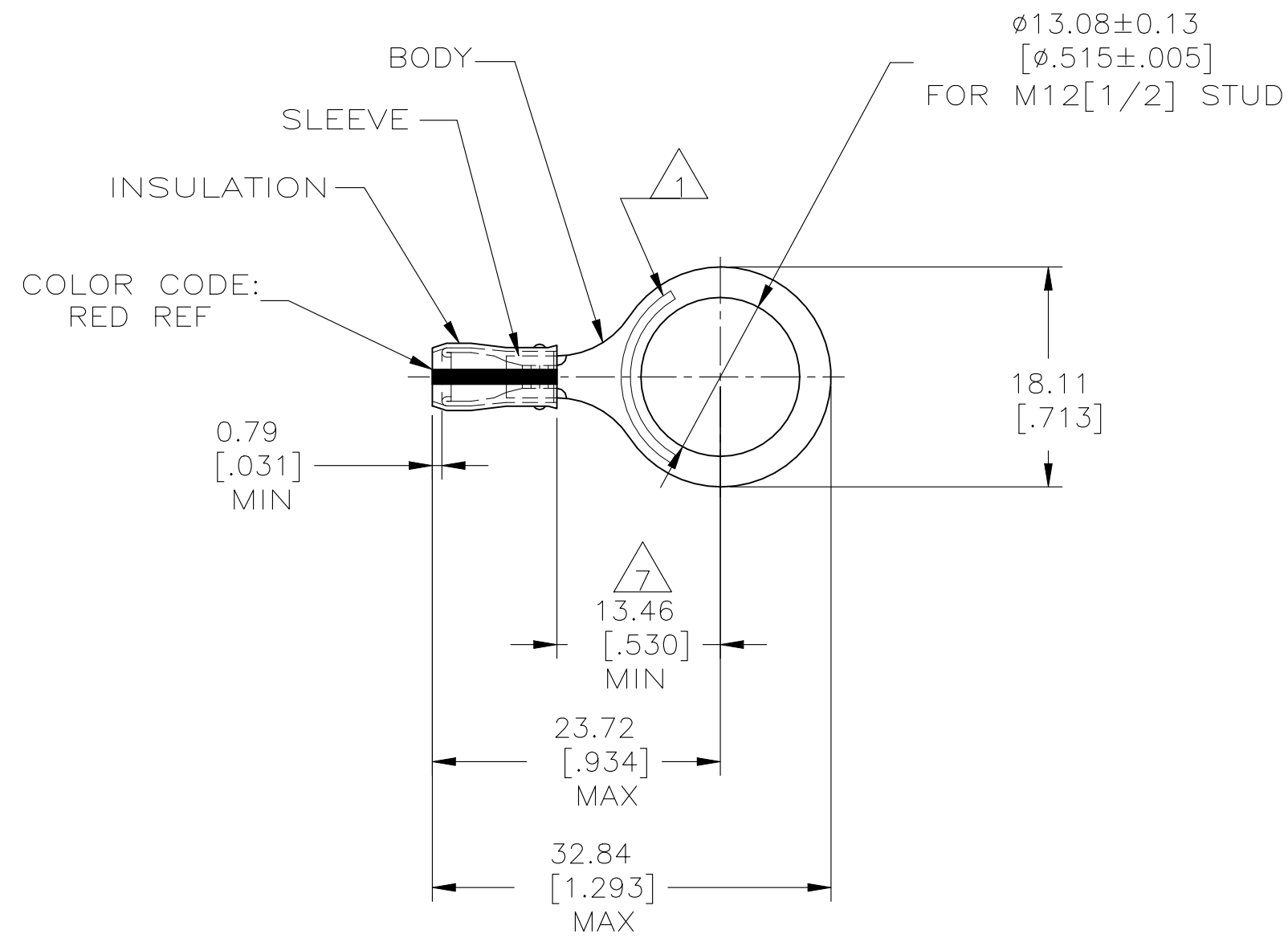


© - TE Connectivity. All Rights Reserved.

REVISIONS				
P	LTR	DESCRIPTION	DATE	APVD
	D3	REVISED PER ECN-22-156403	03JUN2022	RK CSD



- 1 STAMP AMP 22-18* APPROX AS SHOWN
22-16 TERMINALS ARE STAMPED 22-18 IN
ACCORDANCE WITH MILITARY SPEC SAE AS7928
COMMERCIAL WIRE RANGE IS 22-16.
- 2 WIRE INSULATION DIA: 2.03-3.18 [.080-.125.]
- 3 TONGUE MATERIAL THK: 0.79±0.05 [.031±.002]
- 4 BODY & SLEEVE: TIN/LEAD (93-7) PLATE PER
ASTM B545. (3% MIN LEAD CONTENT)
- 5 BODY & SLEEVE- CU PER ASTM B152
INSULATION - PVF2, COLOR - NATURAL
- 6 MEETS M7928/4-151, CLASS 1
MEETS M7928/13-151, CLASS 1
- 7 DIMENSION APPLIES FROM EDGE OF METAL WIRE
BARREL TO CENTER OF STUD HOLE.

1000	LOOSE PIECE	6 53413-1
QTY	PACKAGE TYPE	PART NO.

AMP INCORPORATED CUSTOMER SERVICE SYSTEMS	
FOR ADDITIONAL PRODUCT INFORMATION OR COPIES OF DRAWINGS AND TECHNICAL DOCUMENTS	PRODUCT INFORMATION CENTER 1-800-522-6752
FOR APPLICATION TOOLING INFORMATION	TOOLING ASSISTANCE CENTER 1-800-722-1111
FOR ORDER ENTRY	1-800-526-5142

MAX RECOMMENDED OPERATING TEMPERATURE: 150°C [302°F] MAX
VOLTAGE RATING: N/A
CIRCULAR MIL AREA: 0.26-1.65mm² [509-3260] STRANDED

THIS DRAWING IS A CONTROLLED DOCUMENT.	
DIMENSIONS: mm [INCHES]	TOLERANCES UNLESS OTHERWISE SPECIFIED:
	0 PLC ± - 1 PLC ± - 2 PLC ± 0.20 [.008] 3 PLC ± - 4 PLC ± - ANGLES ± -
MATERIAL	FINISH
5	4

DWN DK SCHRUM 06/16/93
CHK RE HERSEY 7/6/93
APVD M ELLIS 7/6/93
PRODUCT SPEC
APPLICATION SPEC
NOT AVAILABLE
WEIGHT
CUSTOMER DRAWING

TE Connectivity			
NAME TERMINAL, RING TONGUE, PVF2, P.I.D.G. WIRE SIZE: 22-16 AWG			
SIZE	CAGE CODE	DRAWING NO	RESTRICTED TO
A3	00779	C-53413	-
SCALE 2:1		SHEET 1 OF 1	REV D3