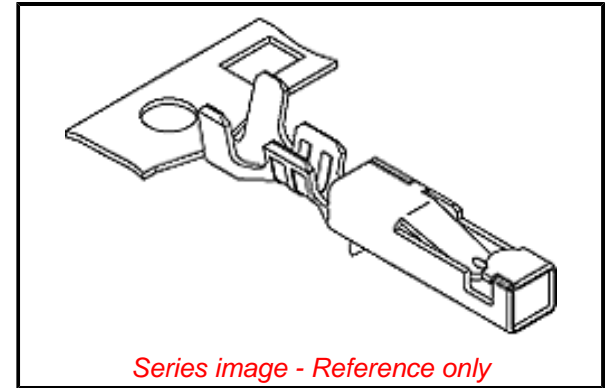


PLEASE CHECK WWW.MOLEX.COM FOR LATEST PART INFORMATION

Part Number: **0503978100**
Status: **Active**
Overview: CP Wire-to-Board and Wire-to-Wire Connector Systems
Description: CP-2.5 Mini and CP-3.3 Crimp Terminal, Female, 22-28 AWG, Bag

Documents:

Drawing (PDF)	Application Specification 5056050000-A00 (PDF)
Product Specification 5056050000-000 (PDF)	Application Specification 5056050000-A01 (PDF)
Product Specification PS-500592-001-001 (PDF)	Application Specification AS-504693-001-001 (PDF)
Product Specification PS-504693-001-001 (PDF)	Application Specification AS-504693-002-001 (PDF)
Product Specification PS-51111-001-001 (PDF)	Packaging Specification SPK-50397-001-001 (PDF)
Product Specification PS-51111-003-001 (PDF)	RoHS Certificate of Compliance (PDF)



General

Product Family	Crimp Terminals
Series	50397
Application	Signal, Wire-to-Wire
Crimp Quality Equipment	Yes
Overview	CP Wire-to-Board and Wire-to-Wire Connector Systems
Packaging Alternative	503978000 (Reel)
Product Name	CP-2.5 Mini, CP-3.3
UPC	800754237444

Physical

Gender	Female
Material - Metal	Phosphor Bronze
Material - Plating Mating	Tin
Material - Plating Termination	Tin
Net Weight	89.600/mg
Packaging Type	Bag
Plating min - Mating	0.914µm
Plating min - Termination	0.914µm
Termination Interface: Style	Crimp or Compression
Wire Insulation Diameter	1.15-1.80mm
Wire Size AWG	22, 24, 26, 28
Wire Size mm ²	N/A

Electrical

Current - Maximum per Contact	3.0A
Voltage - Maximum	300V AC (RMS)/DC

Material Info

Reference - Drawing Numbers

Application Specification	5056050000-A00, 5056050000-A01, AS-504693-001-001, AS-504693-002-001
Packaging Specification	SPK-50397-001-001
Product Specification	5056050000-000, PS-500592-001-001, PS-504693-001-001, PS-51111-001-001, PS-51111-003-001
Sales Drawing	SD-50397-001-001

EU ELV

Not Relevant

EU RoHS

Compliant

REACH SVHC

Not Contained Per -
D(2021)4569-DC (8
July 2021)

Halogen-Free

Status

Low-Halogen

For more information, please visit [Contact US](#)

China ROHS

ELV

RoHS Phthalates

China RoHS

Green Image

Not Relevant

Not Contained

Search Parts in this Series

50397 Series

Use With

CP-2.5 Mini Receptacle Housing [500592](#)
. CP-3.3 Receptacle Housing [504693](#) ,
[505605](#)

Application Tooling | FAQ

Tooling specifications and manuals are found by selecting the products below. Crimp Height Specifications are then contained in the Application Tooling Specification document.

Global

Description	Product #
-------------	-----------

Extraction and	638132700
----------------	---------------------------

Activation Tool	
-----------------	--

Extraction Tool for	638138600
---------------------	---------------------------

MTC (Multi Terminal	
---------------------	--

Connector) Female	
-------------------	--

Terminal, 14-18	
-----------------	--

AWG	
-----	--

Hand Crimp Tool	638238000
-----------------	---------------------------

for 2.50mm Pitch	
------------------	--

Wire to Wire Crimp
Terminals

Japan

Description

Product #

Hand Crimp Tool

573165000

Extraction Tool

573166100

This document was generated on 08/25/2021

PLEASE CHECK WWW.MOLEX.COM FOR LATEST PART INFORMATION