

Materials

1. Shell, C3604 brass, 2 μm nickel plated
2. Insulator, PBT + 15% glass fiber, black
3. Center contact, C5191 phosphor bronze, 2 μm nickel

Electrical requirements

Dielectric strength: 1 min @ 500 Vac
 Insulation resistance: 100 MΩ @ 500 Vdc
 Contact resistance: 30 mΩ or less
 Rated voltage: 24 Vdc
 Rated current: 5 A

Mechanical requirements

Insertion force: 0.5-2 kgf
 Withdrawal force: 0.3-1.5 kgf
 Durability: 5000 mating cycles while maintaining; 0.4-2 kgf insertion force, 0.2-1.5 kgf withdrawal force and a less than 100 mΩ contact resistance.

Environmental requirements

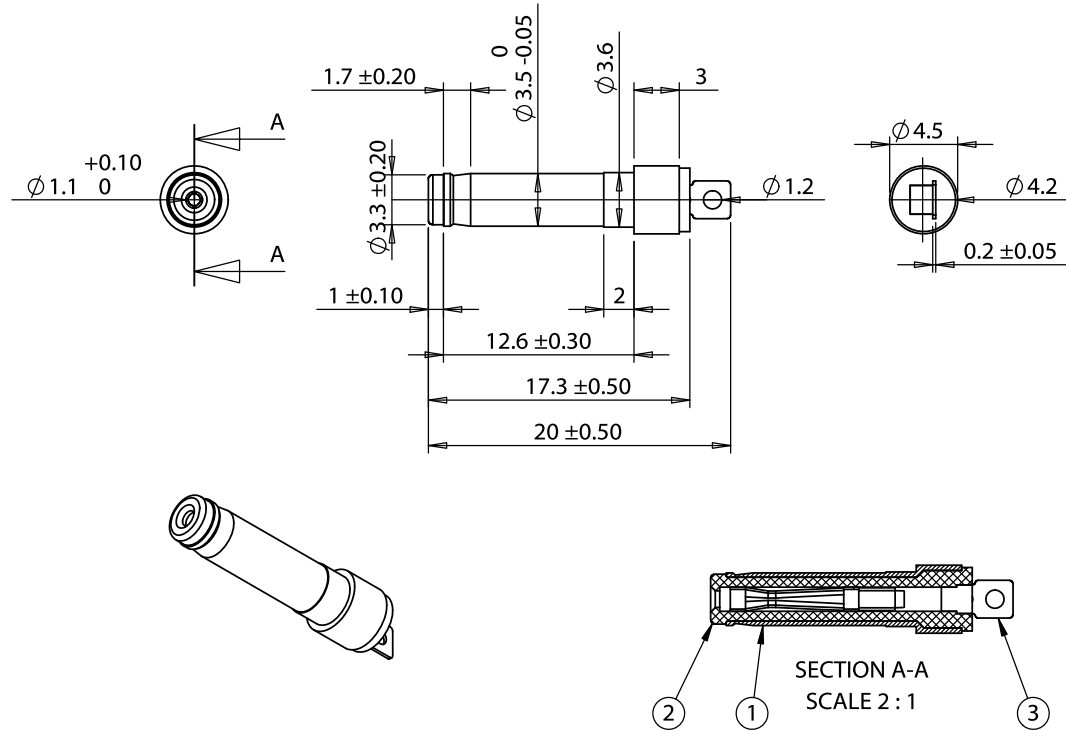
Damp test: 40 °C, RH 90-100% for 96 hrs. Cool to ambient and recover for 2 hours. Maintain dielectric strength of 500 Vac for 1 min, insulation resistance of 50 MΩ @ 500 Vdc minimum and a contact resistance of 100 mΩ or less.

Dry test: 70 °C, RH 70-85% for 96 hrs. Cool to ambient and recover for 2 hours. Maintain insulation resistance of 50 MΩ @ 500 Vdc minimum and a contact resistance of 100 mΩ or less.

Salt spray test: 35 °C, RH 90-95%, 5% NaCl mist for 24 hrs. Wash parts after test. Maintain mechanical requirements and a contact resistance of less than 80 mΩ.

Operating range

-25 to 70 °C, relative humidity of 85% or less



Revision:	Date:	Description:
A	1/29/2009	Initial release
A1	8/16/2012	Added temperture range
A2	10/29/2012	Added mechanical and electrical specs
A3	3/13/2013	Updated spec format

Prepared: GL 2016.03.16 08:45:47 -07'00'

Verified: LA

Dimensions are in millimeters.
 Tolerances:
 X: ± 0.5 mm
 X.X: ± 0.3 mm
 X.XX: ± 0.05 mm

Notes:
 RoHS compliant

Function test: no open, no short circuit, no intermittent

Description:
 Connector, dc plug, 3.5x1.1xL20 mm, molding style, spring contacts

TENSILITY

tel 1.541.323.3228 800 877.670.7118
 fax 1.541.323.4202 web tensility.com

Size: A	Part number: 50-00001
Scale: 5:1	Sheet 1 of 1