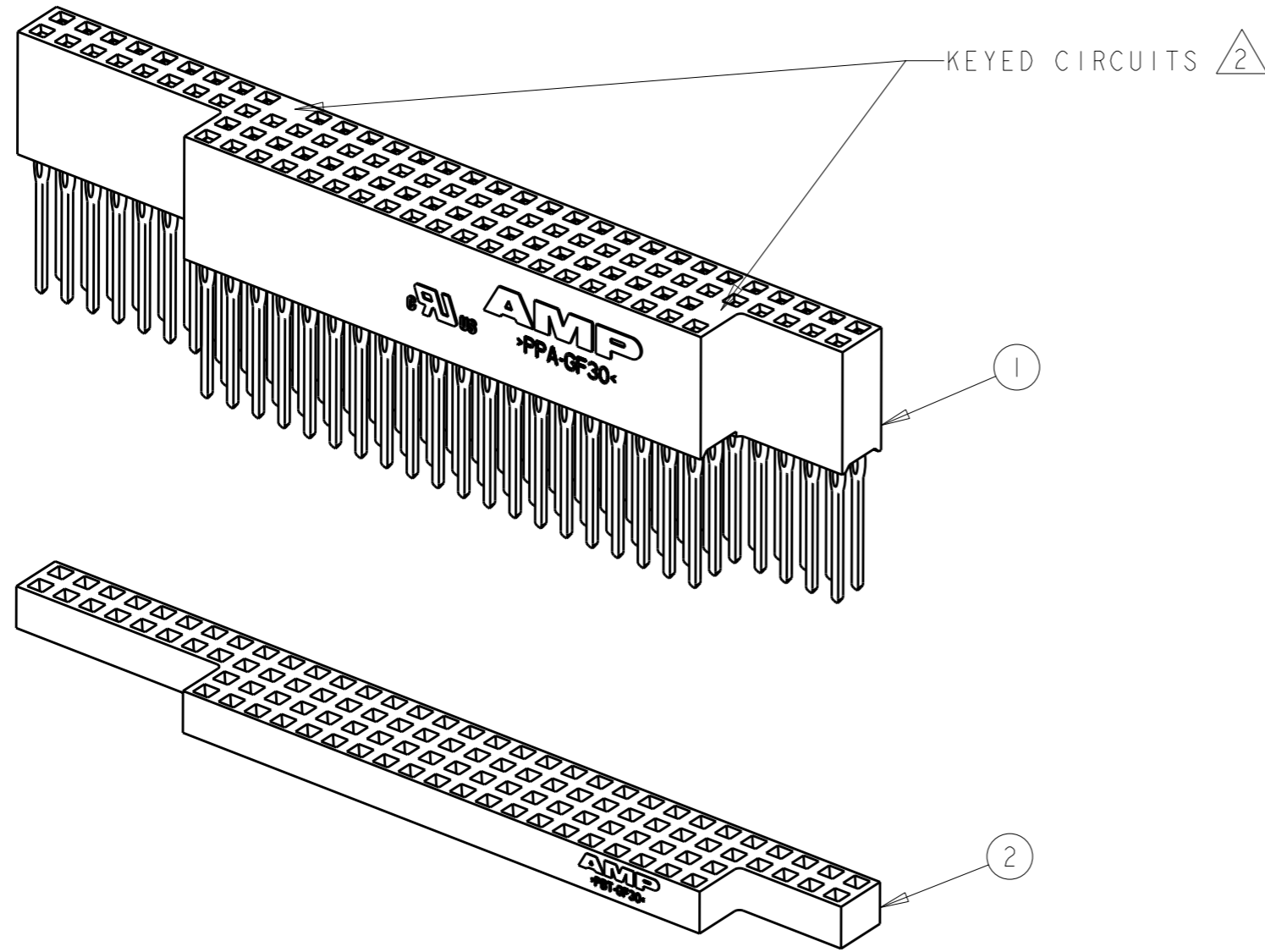


THIS DRAWING IS UNPUBLISHED. RELEASED FOR PUBLICATION 20  
 © COPYRIGHT 20 BY TYCO ELECTRONICS CORPORATION. ALL RIGHTS RESERVED.

LOC	DIST	REVISIONS					
		P	LTR	DESCRIPTION	DATE	DWN	APVD
AD	00		O	REV PER EC 0G3C-0183-01	13JUN2001	MB	JO
			A	REV PER EC 0G3C-313-04	26AUG04	MB	JO
			B	0G3C-0184-05	31AUG2005	RB	JO
			BI	REVISED PER ECO-09-025699	08DEC2009	KK	AEG



- 1. COMPONENTS BULK PACKAGED.
- 2 1445441-1 & -3 (AS SHOWN) KEYED VERSION PER PC104 SPECIFICATION.
- 3 1445441-2 & -4 UNKEYED VERSION.
- 4 ROHS 2002/95/EC COMPLIANT PART TO BE USED WITH ROHS 2002/95/EC COMPLIANT PCB'S.
- 5 OBSOLETE PARTS: OBSOLETE CIS STREAMLINING PER D.RENAUD/D.SINISI

4 3	OBSOLETE	1445251-1	1375795-4	1445441-4
4 2	OBSOLETE	1445251-1	1375795-3	1445441-3
3		1445251-1	1375795-2	1445441-2
2		1445251-1	1375795-1	1445441-1
2	ORGANIZER QTY = 1	1	CONNECTOR ASSY QTY = 1	PART NUMBER

<small>THIS DRAWING IS A CONTROLLED DOCUMENT FOR TYCO ELECTRONICS CORPORATION          IT IS SUBJECT TO CHANGE AND THE CONTROLLING ENGINEERING ORGANIZATION          SHOULD BE CONTACTED FOR THE LATEST REVISION.</small>		DWN R BROWN 29MAR2001 CHK J OLSON 29MAR2001 APVD J OLSON 29MAR2001	Tyco Electronics Corporation Harrisburg, PA 17105-3608
DIMENSIONS: mm 	TOLERANCES UNLESS OTHERWISE SPECIFIED: 0 PLC ±- 1 PLC ±0.5 2 PLC ±0.13 3 PLC ±0.013 4 PLC ±0.0001 ANGLES ±-	PRODUCT SPEC 108-1956 APPLICATION SPEC 114-13021 WEIGHT -	NAME KIT, PC/104 ASSEMBLY, NO STANDOFFS W/ORGANIZER
MATERIAL -	FINISH -	CUSTOMER DRAWING	SIZE A3 CAGE CODE 00779 DRAWING NO C-1445441 RESTRICTED TO - SCALE 2:1 SHEET 1 OF 1 REV BI