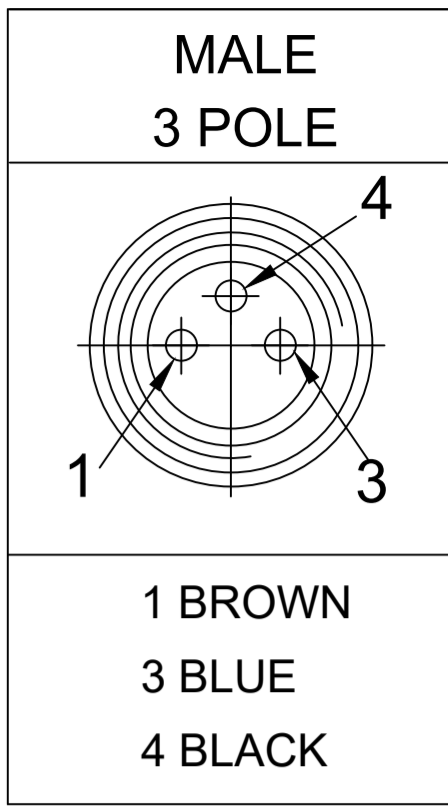


1 BROWN  
3 BLUE  
4 BLACK

MATERIAL NUMBER	ENGINEERING NUMBER	FINISHED LENGTH
1200870235	443030K05M010	1M [3 FT 3 IN]
1200870236	443030K05M020	2M [6 FT 7 IN]
1200871000	443030K05M050	5M [16FT 5 IN]

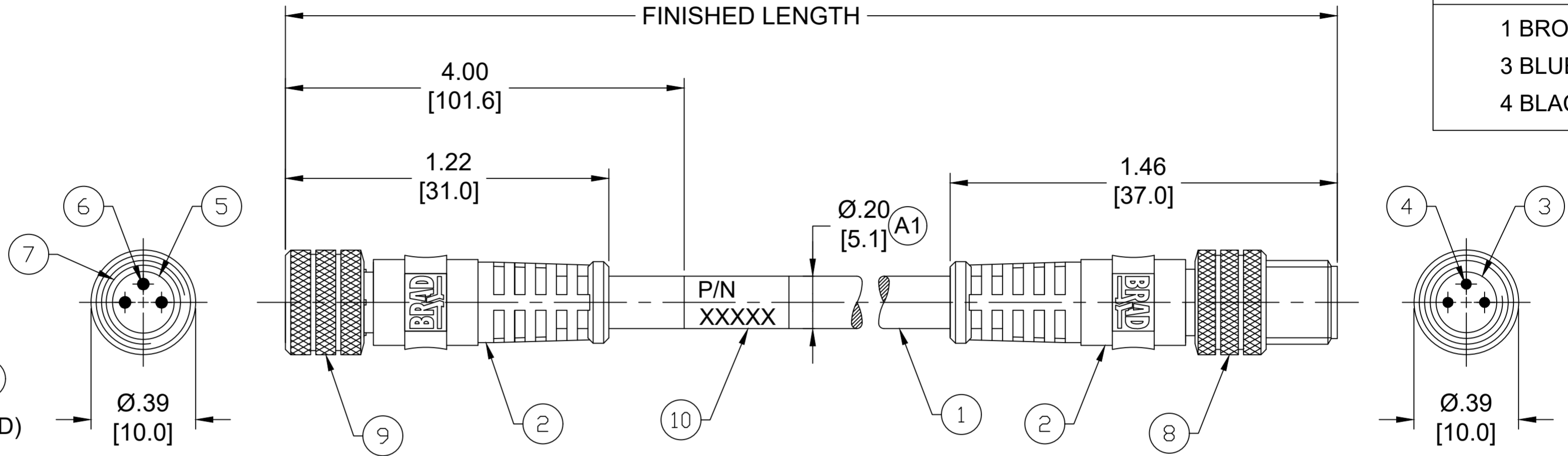
(A1)



1 BROWN  
3 BLUE  
4 BLACK

NOTES:

- MATERIAL: AS NOTED
- FINISH: AS NOTED
- ELECTRICAL:  
VOLTAGE : 60VAC/75VDC  
CURRENT: 4A
- TEMP RATING: -20° TO +105°C (A1)
- PROTECTION: IP68 (WHEN MATED)
- COUPLING THREAD: M8X1
- UL LISTED FILE: E152210
- ALL DIMENSIONS ARE FOR REFERENCE UNLESS TOLERANCED OR NOTED OTHERWISE



MECHANICAL CHARACTERISTICS: (A1)

TORSIONAL FLEX TEST	10 MILLION CYCLES PER MIL-C-13777G
BEND FLEX TEST	10 MILLION CYCLES PER MIL-C-13777G
WELD SLAG RESISTANCE	WOODHEAD STANDARD S-300

ITEM	COMPONENT	MATERIAL	FINISH
10	WRAP LABEL	VINYL	BLACK/YELLOW
9	FEMALE COUPLING NUT	BRASS	NICKEL PLATED
8	MALE COUPLING NUT	BRASS	NICKEL PLATED
7	O-RING	VITON	RED
6	CONTACT SOCKET	COPPER ALLOY	GOLD/NICKEL PLATED
5	FEMALE INSERT	PUR	BLACK
4	CONTACT PIN	COPPER ALLOY	GOLD/NICKEL PLATED
3	MALE INSERT	PUR	BLACK
2	OVERMOLD	TPC	YELLOW
1	CABLE, #22-3, ITC/PLTC	TPE	YELLOW

(A1)

PART NUMBER LEGEND

443030K05M006

LENGTH  
M001 = .6 METER  
M010 = 1 METER  
M100 = 10 METER

(A1)

CABLE LENGTH TOLERANCES

<.3M [1FT]:	+19mm-0 [ +.75in-0]
.3 - .9M [1 - 3FT]:	+44.5mm-0 [+1.75in-0]
.9 - 1.8M [3 - 6FT]:	+55.6mm-0 [+2.19in-0]
1.8 - 3.7M [6 - 12FT]:	+88.9mm-0 [+3.50in-0]
3.7 - 7.3M [12 - 24FT]:	+165.1mm-0 [+6.50in-0]
7.3-14.6M [24 - 48FT]:	+317.5mm-0 [+12.50in-0]
14.6 - 30.5M [48-100FT]:	+622.3mm-0 [+24.50in-0]
OVER 30M [100FT]	+2% OF FINISHED LENGTH

FUNCTIONAL SYMBOLS	THIS DRAWING CONTAINS INFORMATION THAT IS PROPRIETARY TO MOLEX ELECTRONIC TECHNOLOGIES, LLC AND SHOULD NOT BE USED WITHOUT WRITTEN PERMISSION														
	DIMENSION UNITS		SCALE		CURRENT REV DESC: ITEM-10 WAS MYLAR. ADDED CABLE DIA & MECHANICAL CHARACTERISTICS CHART. MODIFIED TEMP RATING & PN CHART. REMOVED CSA										
F/A=0	INCH/MM		NTS		EC NO: 702709 DRWN: ABENJAMINLW 2021/10/22 CHK'D: RSTONE 2022/04/11 APPR: BWOODMAN 2022/04/16										
	GENERAL TOLERANCES (UNLESS SPECIFIED)														
E/C=0	mm		INCH		INITIAL REVISION: DRWN: GGUSTAFS 2013/10/10 APPR: BWOODMAN 2013/11/12										
	4 PLACES ±----		±----												
F/P=0	3 PLACES ±----		±----		PRODUCT CUSTOMER DRAWING										
	2 PLACES ±----		±----												
DIVISIONAL SYMBOLS	1 PLACE ±----		±----		DOCUMENT NUMBER: SD-120086-053 DOC TYPE/DOC PART: PSD 001 REVISION: A1										
	0 PLACES ±----		±----												
ANGULAR TOL ± ---- °				THIRD ANGLE PROJECTION		DRAWING		SERIES		MATERIAL NUMBER		CUSTOMER		SHEET NUMBER	
DRAFT WHERE APPLICABLE MUST REMAIN WITHIN DIMENSIONS				C-SIZE		120086		SEE CHART		GENERAL MARKET		1 OF 1			