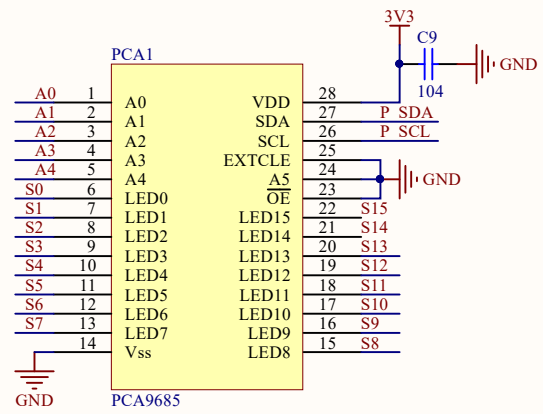


BCM	wPi	P4	BCM	wPi
2	8	3.3V	15	14
3	9	P SDA	16	15
4	7	P SCL	1	18
17	0	P4	4	23
27	2	GND	5	24
22	3	P17	10	8
10	12	P27	6	25
9	13	P22	10	8
11	14	GND	11	7
5	21	3.3V	26	12
6	22	P MOSI	27	16
13	23	P MISO	28	20
19	24	P SCK	29	21
26	25	GND		



RPI GPIO