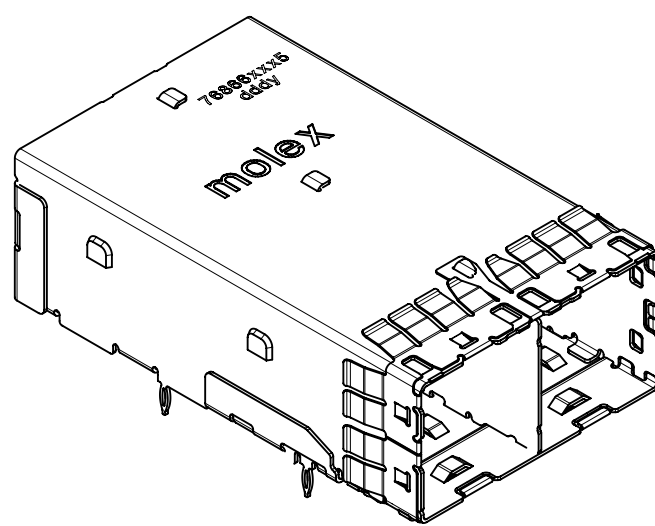
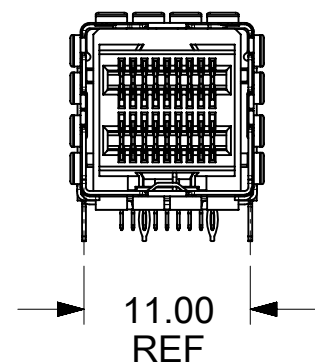
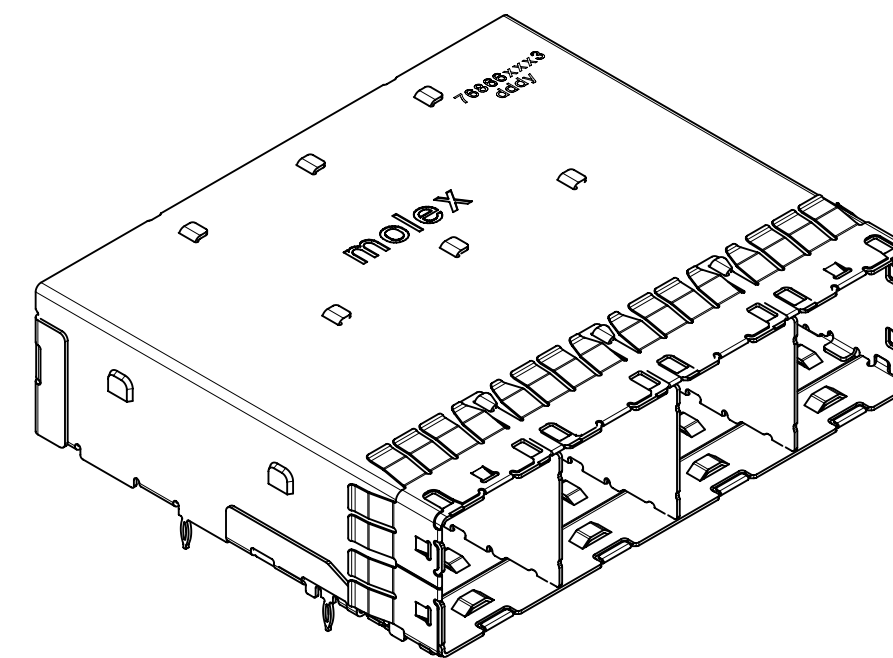
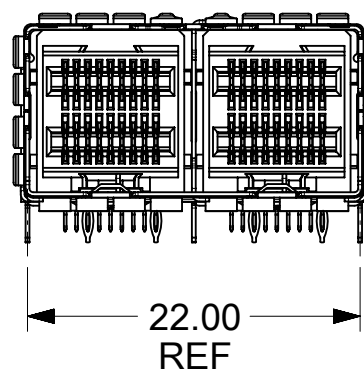


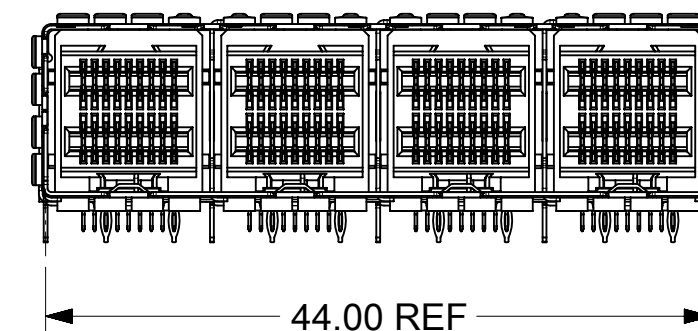
1X1



1X2



1X4



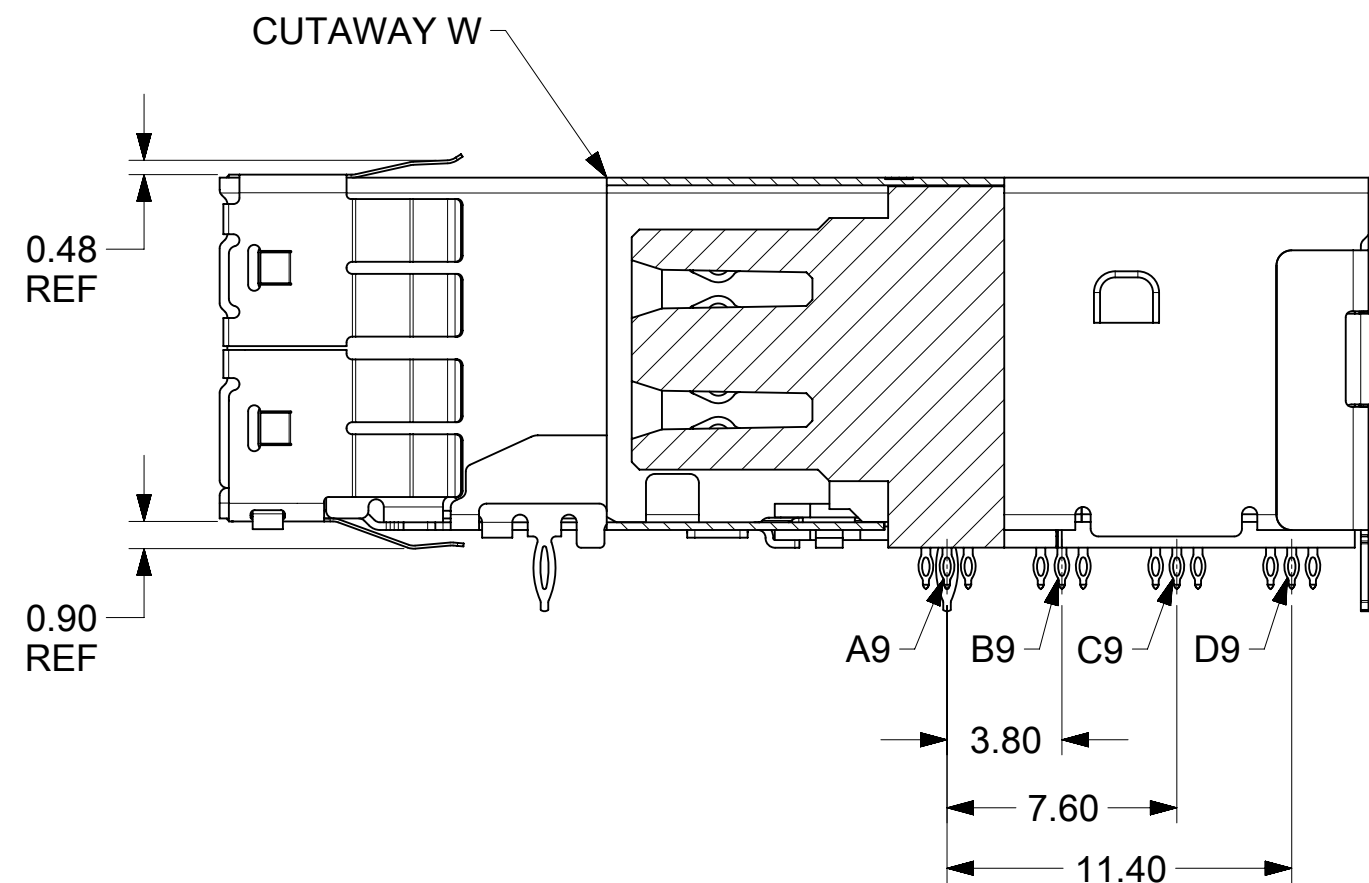
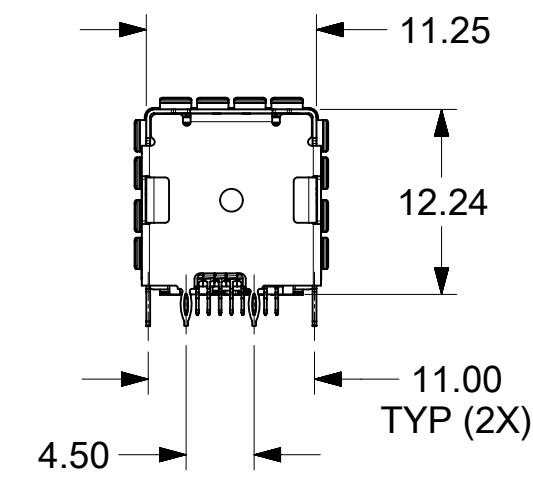
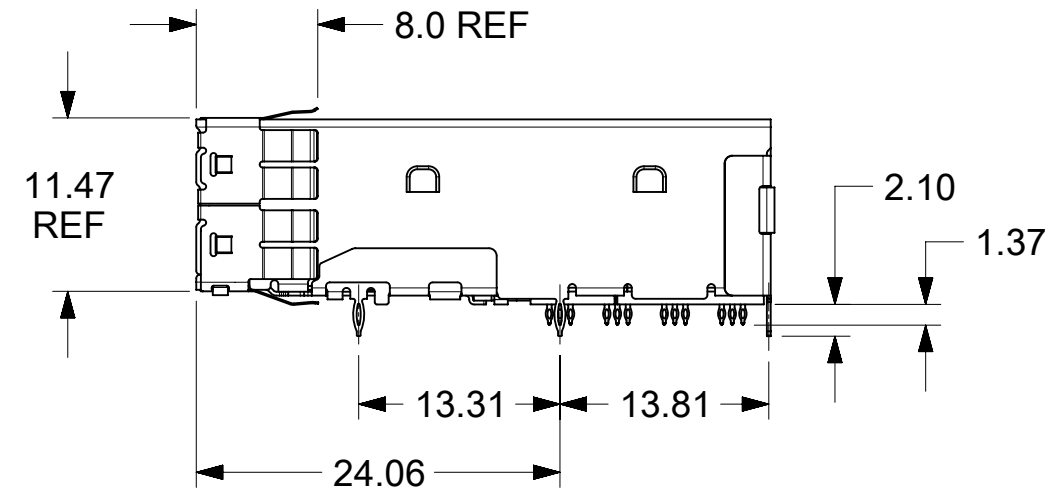
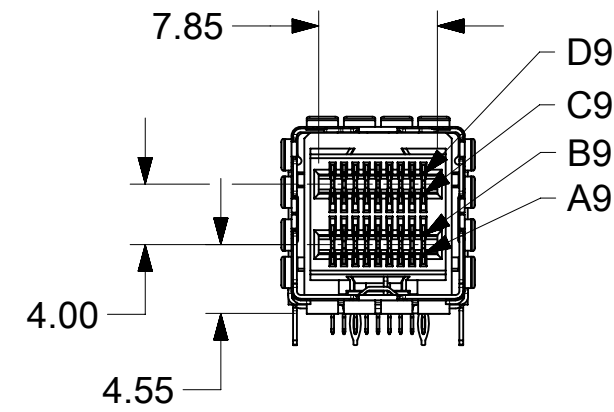
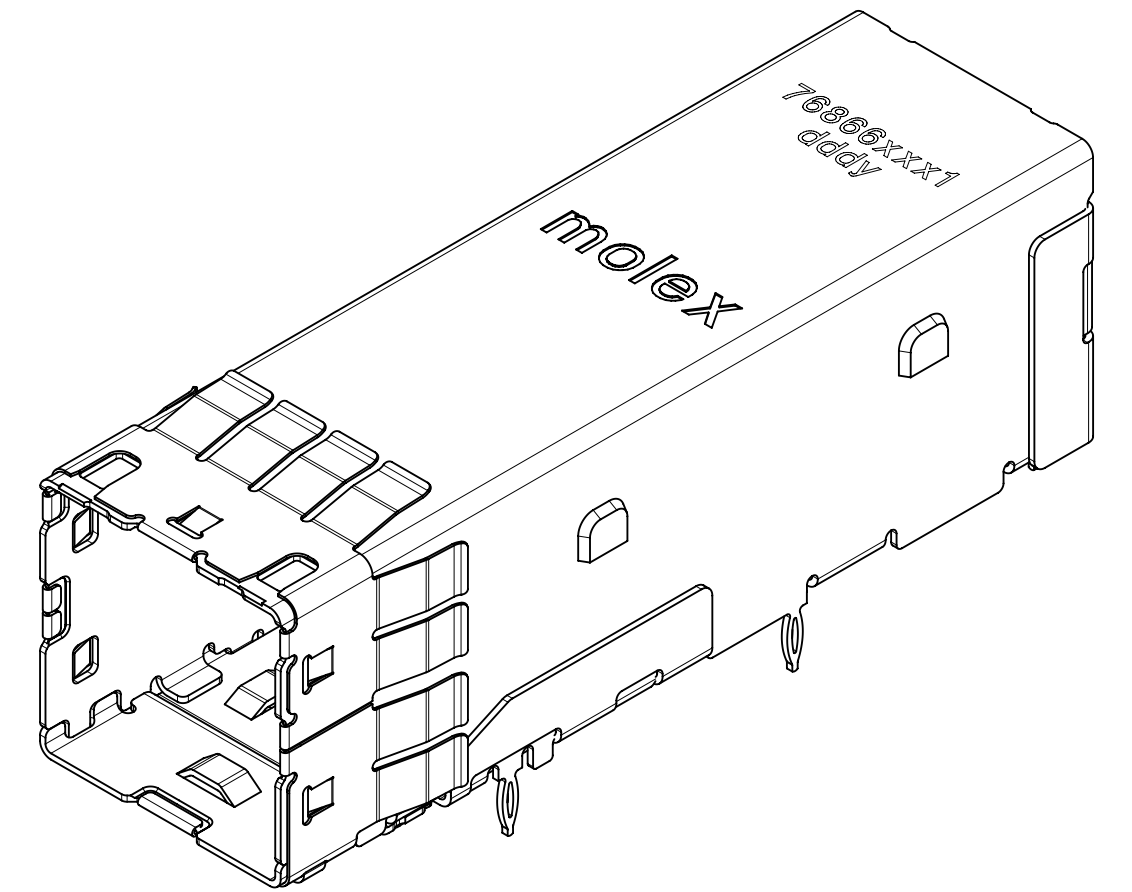
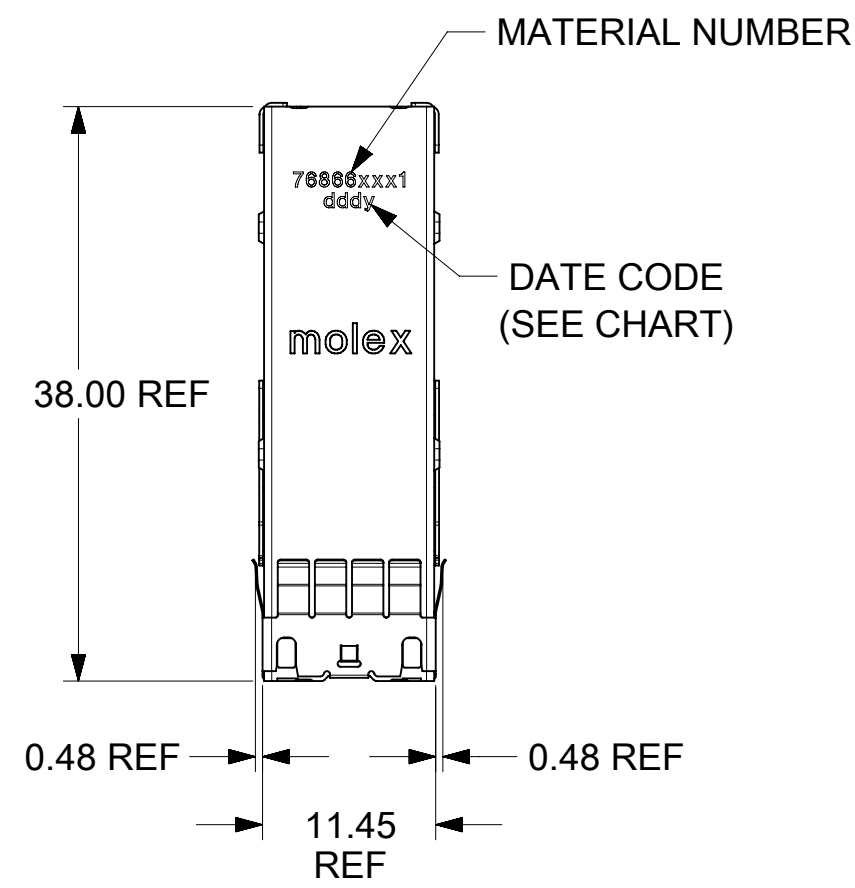
NOTES:

1. MATERIALS:  
 CONNECTOR HOUSING: HIGH TEMPERATURE THERMOPLASTIC  
 GLASS FILLED, UL 94V-0  
 EMI CAGE: NICKEL SILVER ALLOY  
 EMI CAGE BASE: STAINLESS STEEL  
 EMI FINGERS: COPPER ALLOY  
 TERMINALS: COPPER ALLOY
2. FINISHES:  
 EMI FINGERS: 0.50µM MIN NICKEL  
 CONTACT AREA: 0.76µM MIN GOLD OVER 3.81µM MIN NICKEL  
 TAIL AREA: 0.76µM-1.52µM TIN OVER 1.27µM MIN NICKEL
3. PRODUCT SPECIFICATION: PS-76866-001
4. PACKAGING SPECIFICATION: PK-76866-001
5. MATES WITH: MOLEX CABLE SERIES 111075 and 111077
6. RECOMMENDED MOUNTING HARDWARE: REFER TO APPLICATION SPECIFICATION AS-76866-001
7. THIS PART CONFORMS TO CLASS C REQUIREMENTS OF MOLEX COSMETIC SPECIFICATION PS-45499-002
8. PLUG MODULE PCB LAYOUT REFER TO SD-76866-9900

CONFIGURATION	MATERIAL NO.
1 X 1	76866-1211
1 X 2	76866-1215
1 X 4	76866-1213

THIS DRAWING CONTAINS INFORMATION THAT IS PROPRIETARY TO MOLEX ELECTRONIC TECHNOLOGIES, LLC AND SHOULD NOT BE USED WITHOUT WRITTEN PERMISSION													
DIMENSION UNITS		SCALE		CURRENT REV DESC:									
MM		2:1		<p style="text-align: center;"><b>molex</b></p> <p style="text-align: center;">IPASS PLUS HD - 12G EXTERNAL EXTENDED SNOOT</p> <p style="text-align: center;">PRODUCT CUSTOMER DRAWING</p>									
GENERAL TOLERANCES (UNLESS SPECIFIED)										EC NO: 611291		2019/01/04	
		MM	INCH							DRWN: GSHARMA		2019/07/18	
4 PLACES		±	±							CHK'D: JKACHLIC		2019/07/18	
3 PLACES		±	±							APPR: JKACHLIC		2019/07/18	
2 PLACES		± 0.13	±	INITIAL REVISION:									
1 PLACE		± 0.25	±	DRWN: KLANG		2012/02/10		DOCUMENT NUMBER					
0 PLACES		±	±	APPR: MBANAKIS		2013/08/01		SD-76866-1002					
ANGULAR TOL		± 0.5 °		THIRD ANGLE PROJECTION		DRAWING		SERIES					
DRAFT WHERE APPLICABLE MUST REMAIN WITHIN DIMENSIONS				C-SIZE		76866		MATERIAL NUMBER					
				SEE CHART		GENERAL MARKET		SHEET NUMBER					
								1 OF 12					

DOCUMENT STATUS	P1	RELEASE DATE	2019/07/18	04:55:15
-----------------	----	--------------	------------	----------

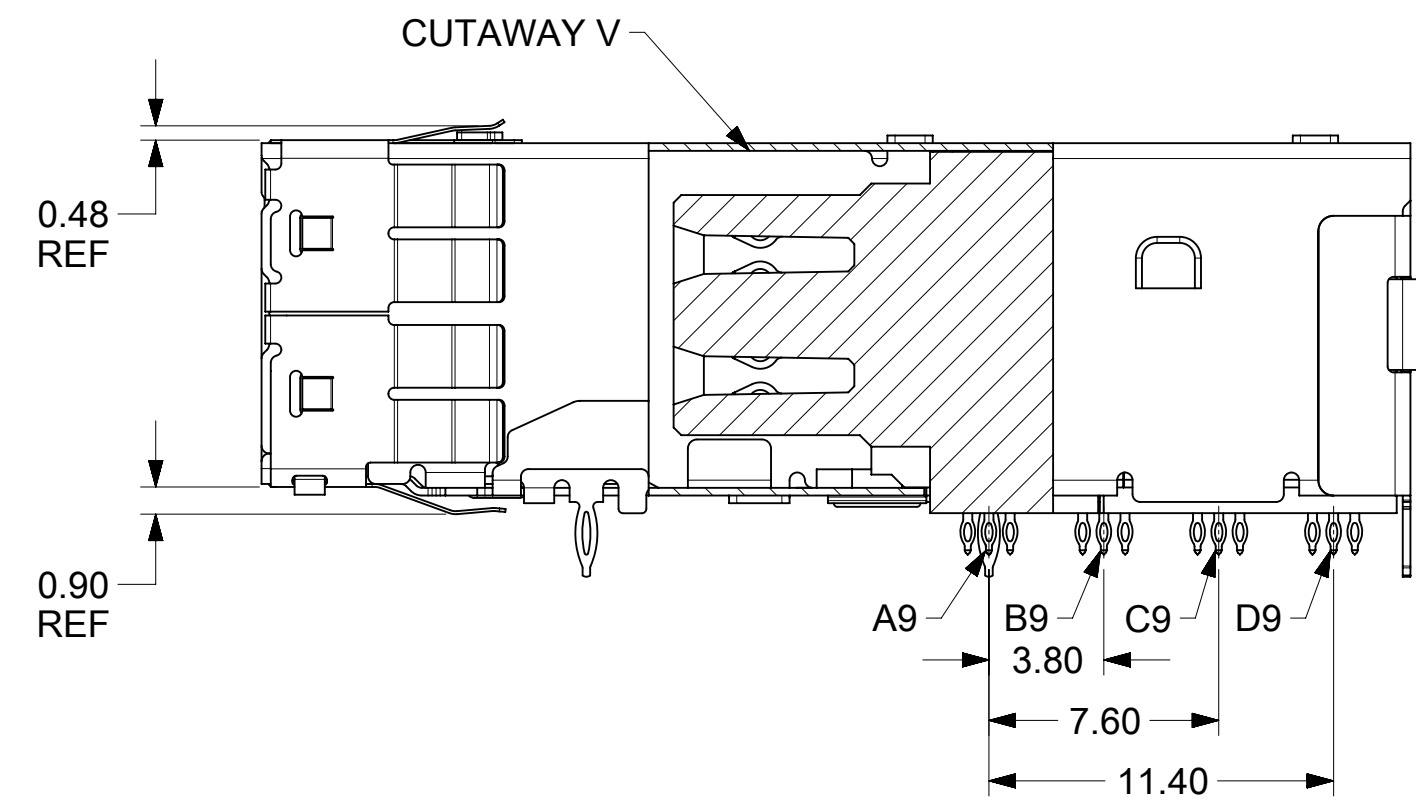
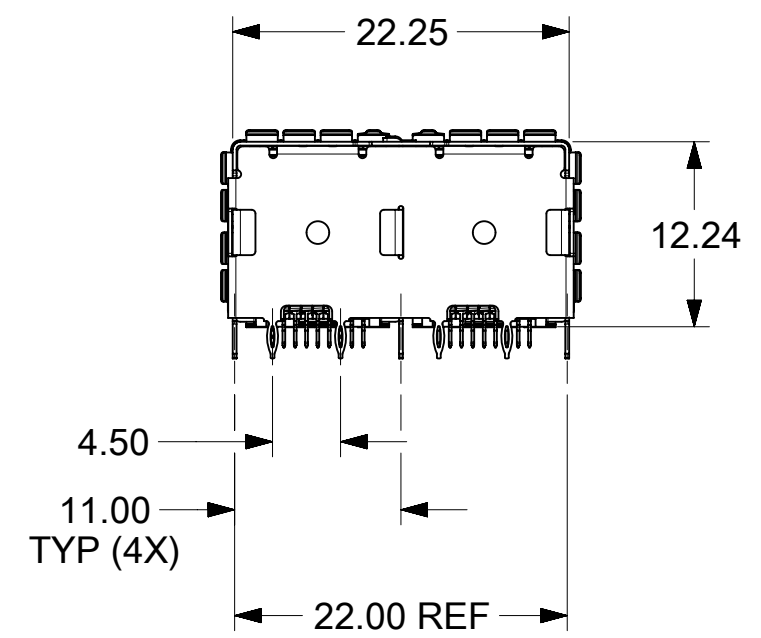
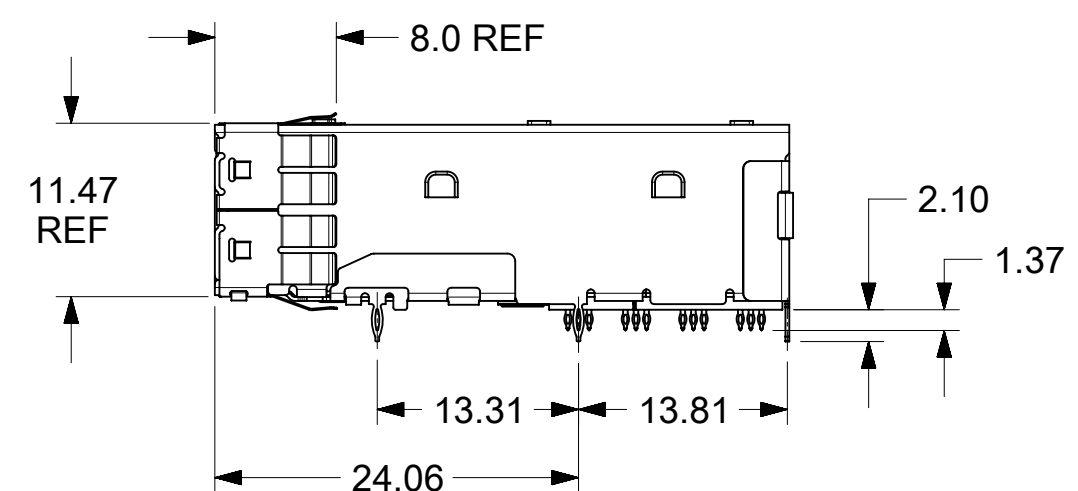
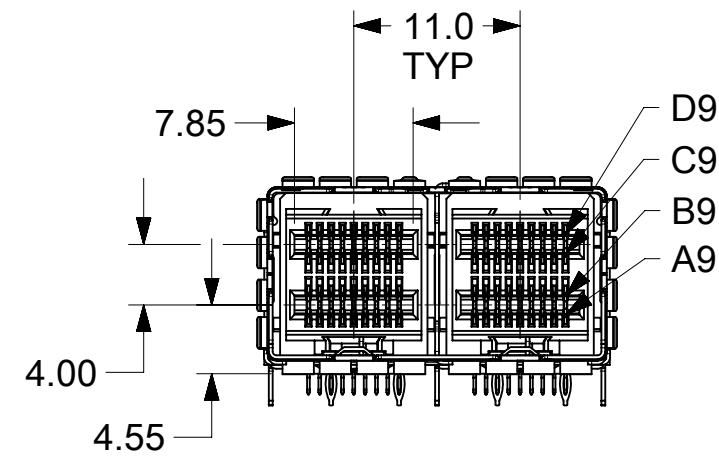
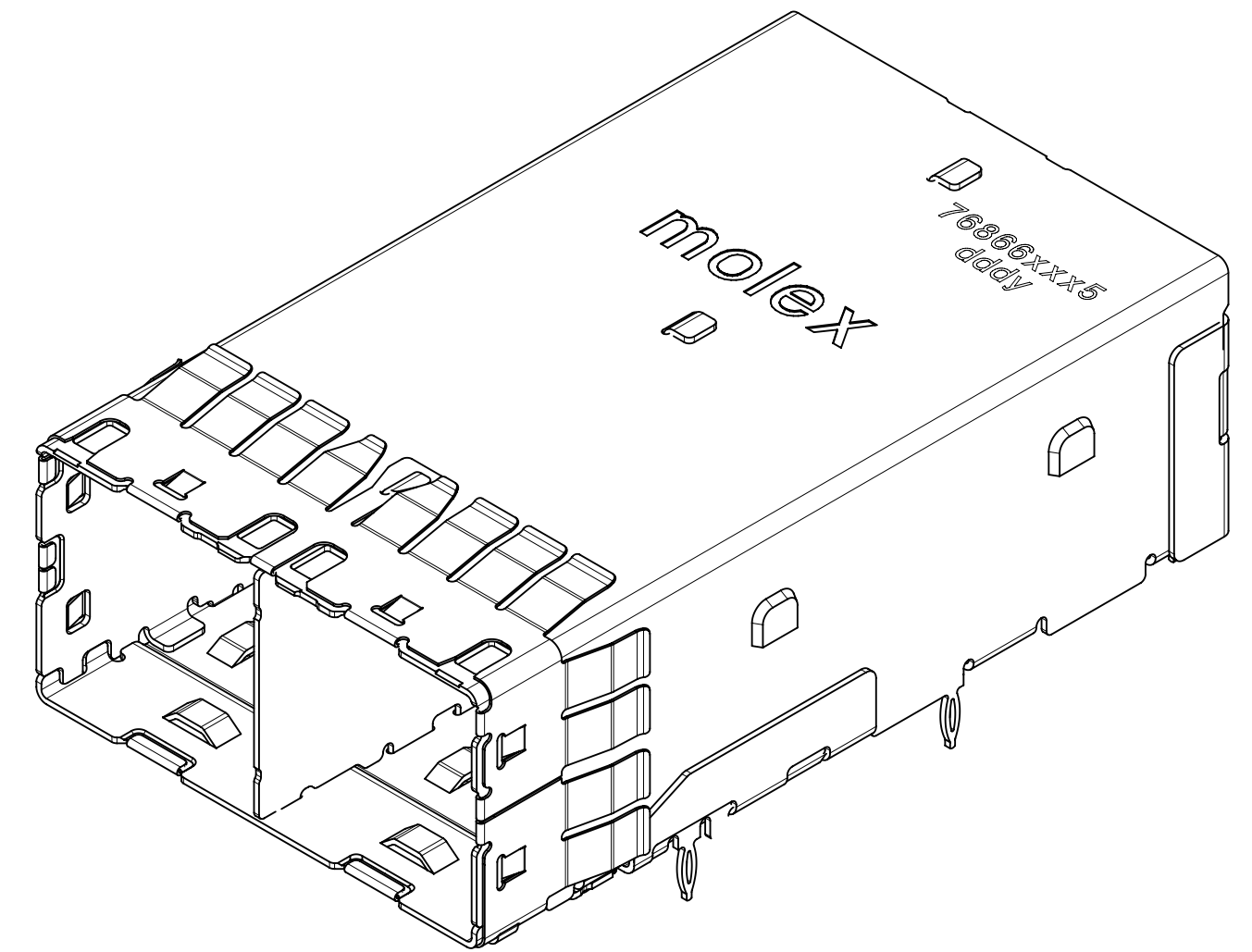
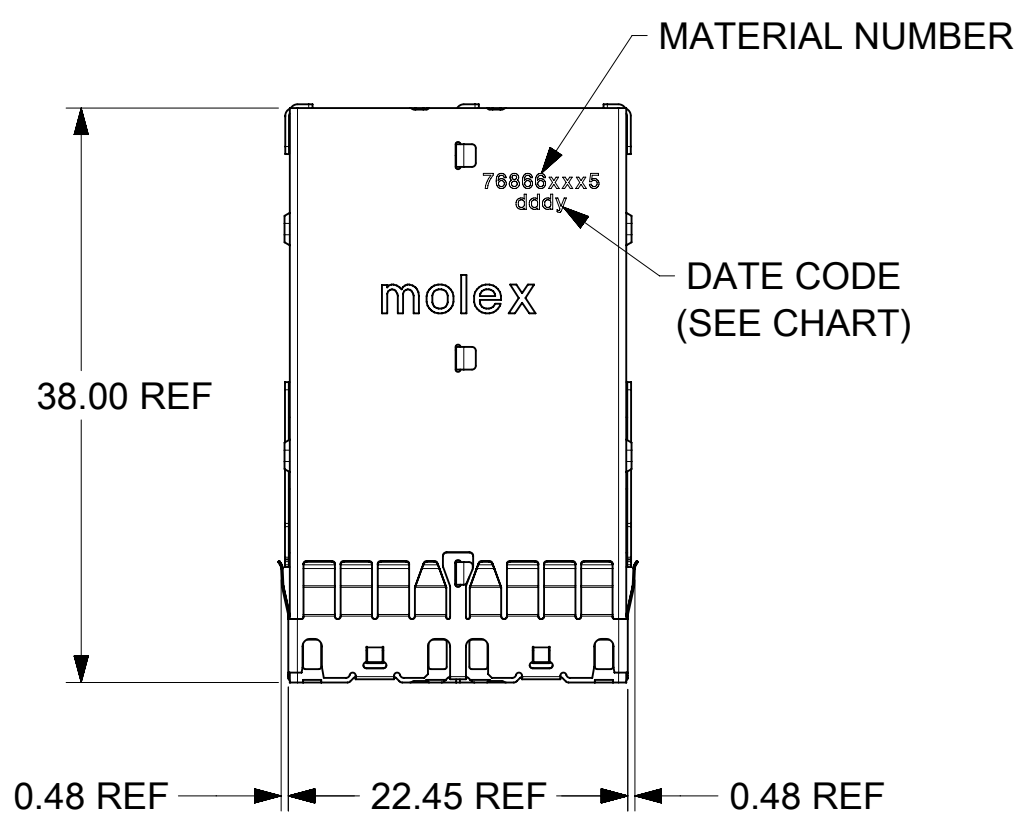


# 1X1 ASSEMBLY

MEXICO	DDDY
CHINA	MSHDDDY
MANUFACTURING LOCATION	DATE CODE

THIS DRAWING CONTAINS INFORMATION THAT IS PROPRIETARY TO MOLEX ELECTRONIC TECHNOLOGIES, LLC AND SHOULD NOT BE USED WITHOUT WRITTEN PERMISSION

DIMENSION UNITS	SCALE	CURRENT REV DESC:		<b>molex</b>
MM	2:1			
GENERAL TOLERANCES (UNLESS SPECIFIED)		EC NO: 611291		IPASS PLUS HD - 12G EXTERNAL EXTENDED SNOOT
4 PLACES	±	DRWN: GSHARMA	2019/01/04	
3 PLACES	±	CHK'D: JKACHLIC	2019/07/18	
2 PLACES	± 0.13	APPR: JKACHLIC	2019/07/18	
1 PLACE	± 0.25	INITIAL REVISION:		
0 PLACES	±	DRWN: KLANG	2012/02/10	
ANGULAR TOL	± 0.5°	APPR: MBANAKIS	2013/08/01	
DRAFT WHERE APPLICABLE MUST REMAIN WITHIN DIMENSIONS	THIRD ANGLE PROJECTION	DRAWING	SERIES	DOCUMENT NUMBER
		C-SIZE	76866	SD-76866-1002
DOCUMENT STATUS	P1	RELEASE DATE	2019/07/18 04:55:15	DOC TYPE
				PSD
				DOC PART
				001
				REVISION
				C1
				MATERIAL NUMBER
				SEE CHART
				CUSTOMER
				GENERAL MARKET
				SHEET NUMBER
				2 OF 12

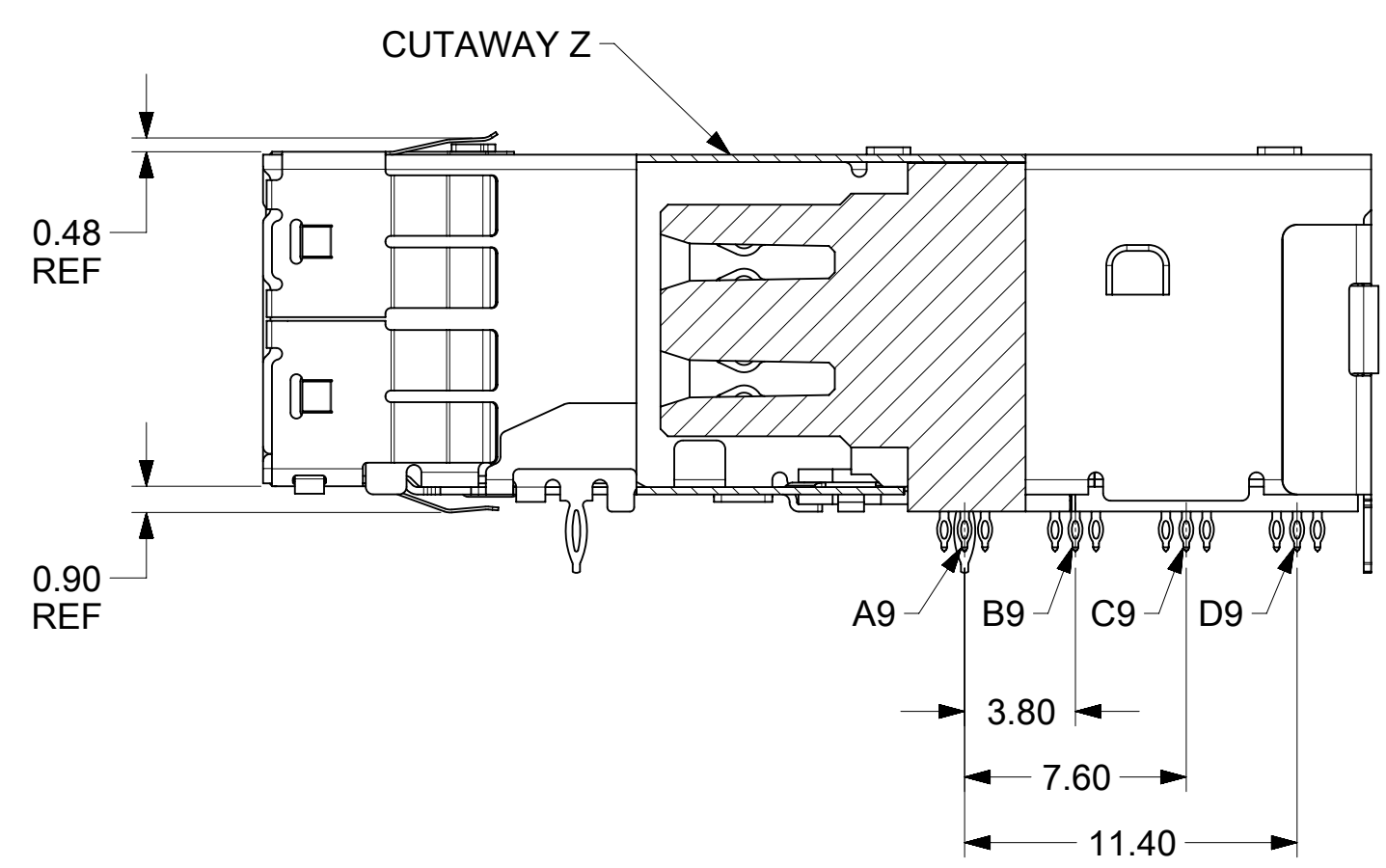
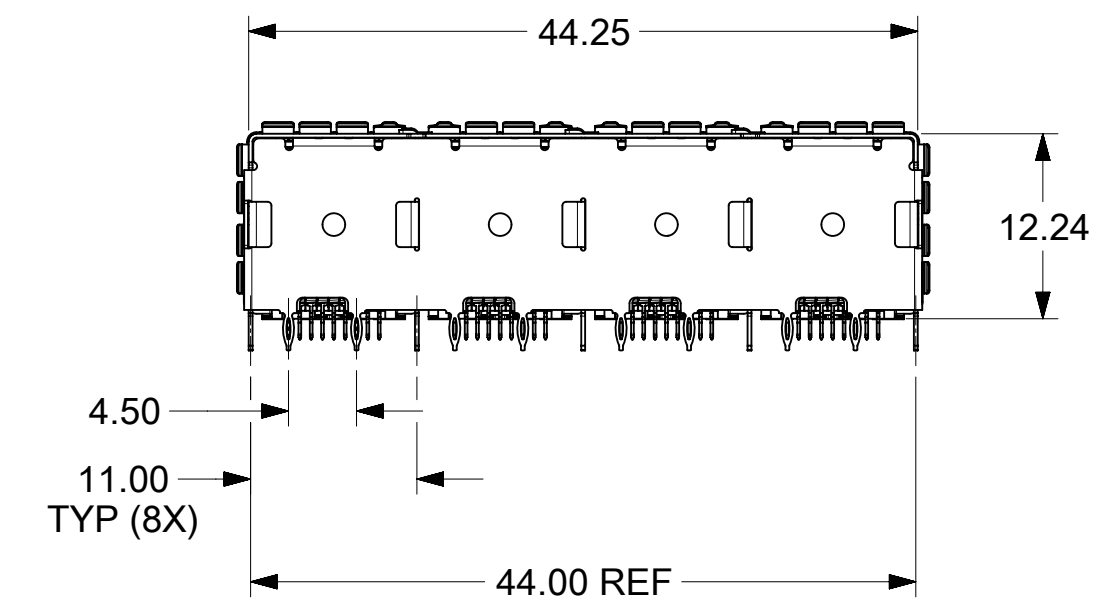
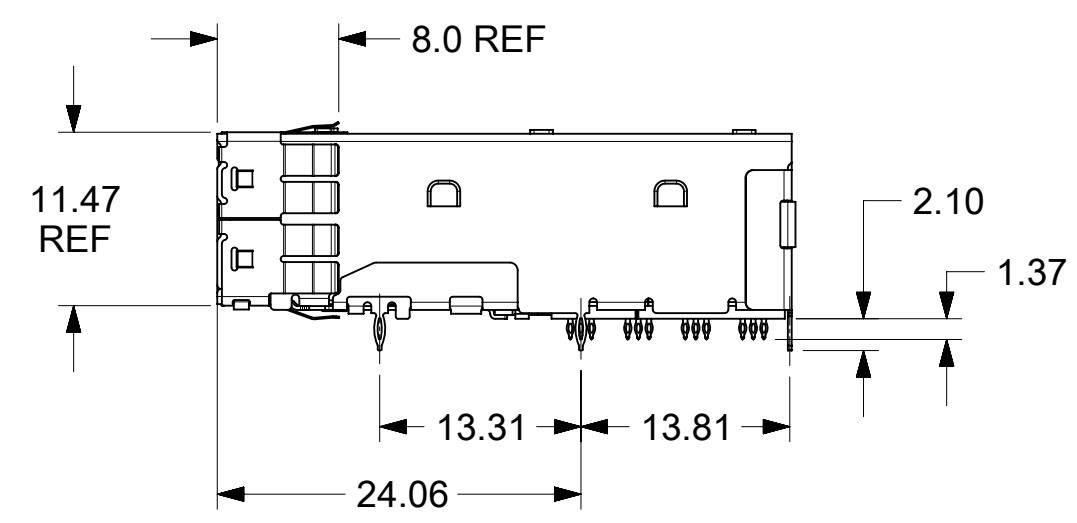
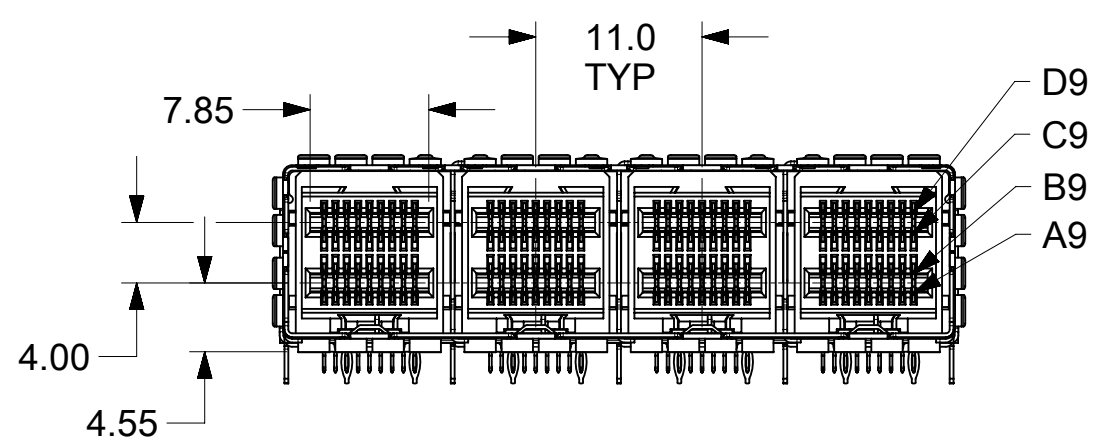
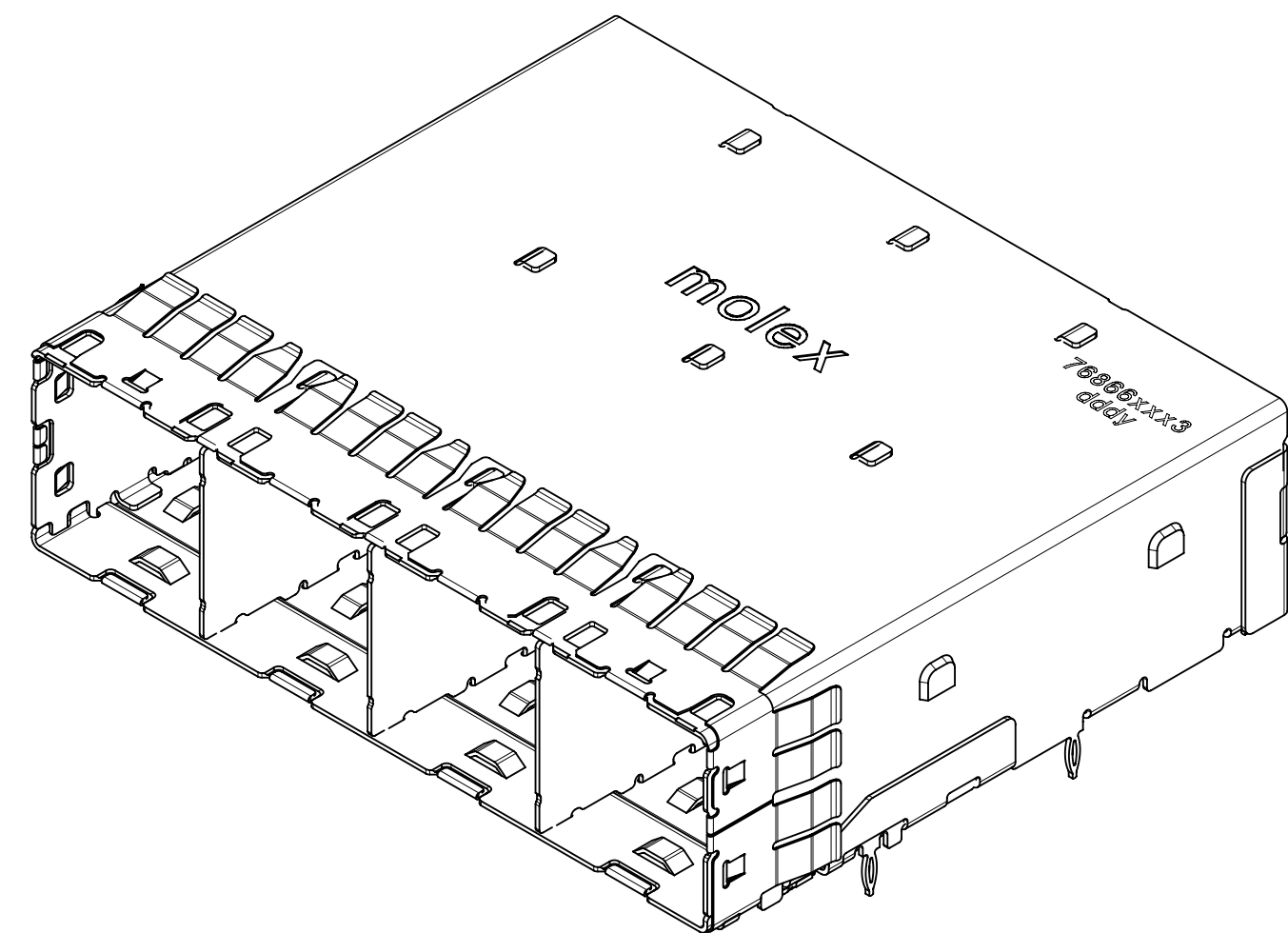
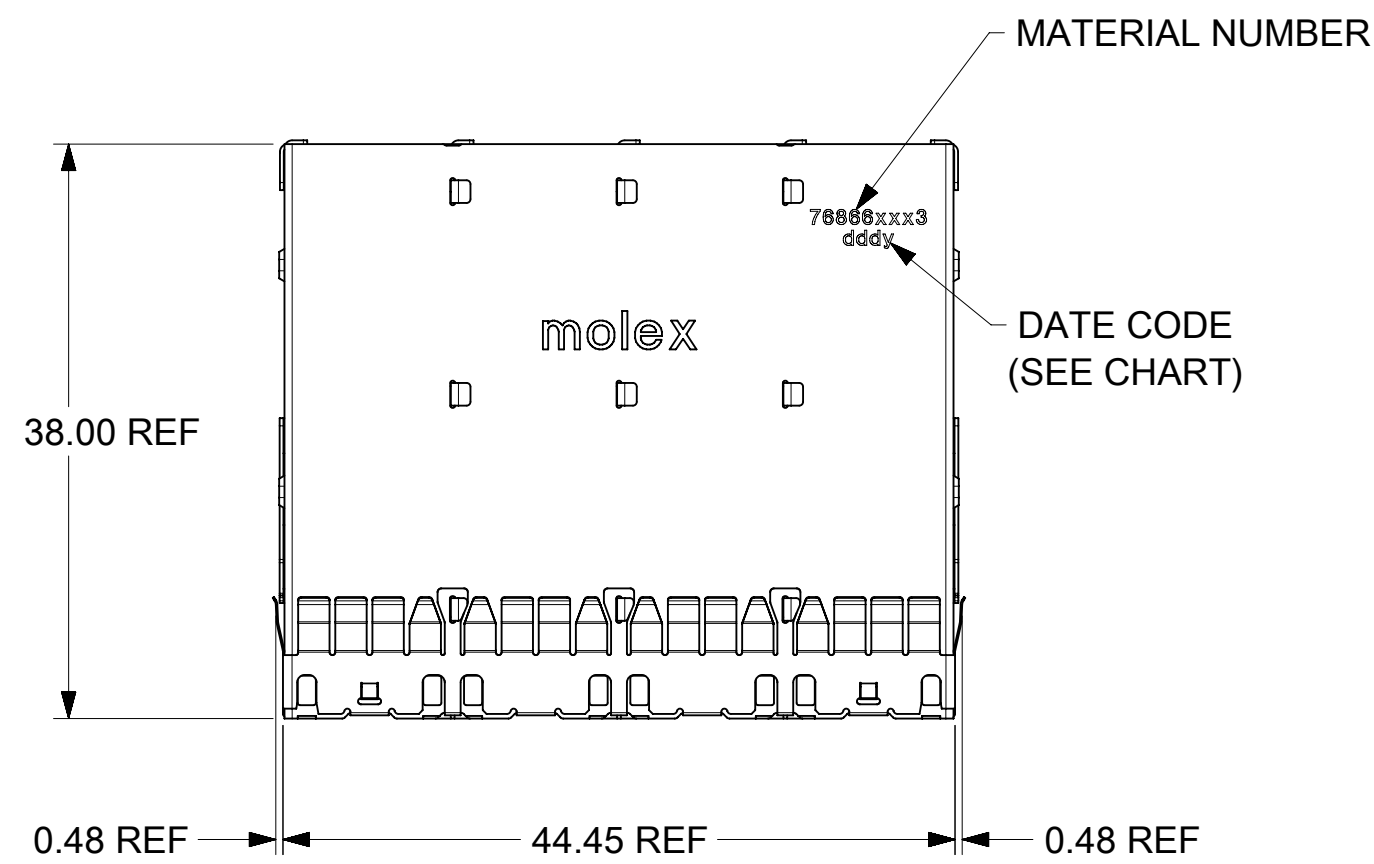


# 1X2 ASSEMBLY

MEXICO	DDDY
CHINA	MSHDDDY
MANUFACTURING LOCATION	DATE CODE

THIS DRAWING CONTAINS INFORMATION THAT IS PROPRIETARY TO MOLEX ELECTRONIC TECHNOLOGIES, LLC AND SHOULD NOT BE USED WITHOUT WRITTEN PERMISSION											
DIMENSION UNITS		SCALE		CURRENT REV DESC:							
MM		2:1									
GENERAL TOLERANCES (UNLESS SPECIFIED)				EC NO: 611291							
4 PLACES		±		DRWN: GSHARMA				2019/01/04			
3 PLACES		±		CHK'D: JKACHLIC				2019/07/18			
2 PLACES		± 0.13		APPR: JKACHLIC				2019/07/18			
1 PLACE		± 0.25		INITIAL REVISION:							
0 PLACES		±		DRWN: KLANG				2012/02/10			
ANGULAR TOL		± 0.5 °		APPR: MBANAKIS				2013/08/01			
DRAFT WHERE APPLICABLE MUST REMAIN WITHIN DIMENSIONS				THIRD ANGLE PROJECTION		DRAWING		SERIES		DOCUMENT NUMBER	
				C-SIZE		76866		SD-76866-1002		DOC TYPE DOC PART REVISION	
				SEE CHART		GENERAL MARKET		PSD 001		C1	
								MATERIAL NUMBER		SHEET NUMBER	
								76866		3 OF 12	

DOCUMENT STATUS	P1	RELEASE DATE	2019/07/18	04:55:15
-----------------	----	--------------	------------	----------

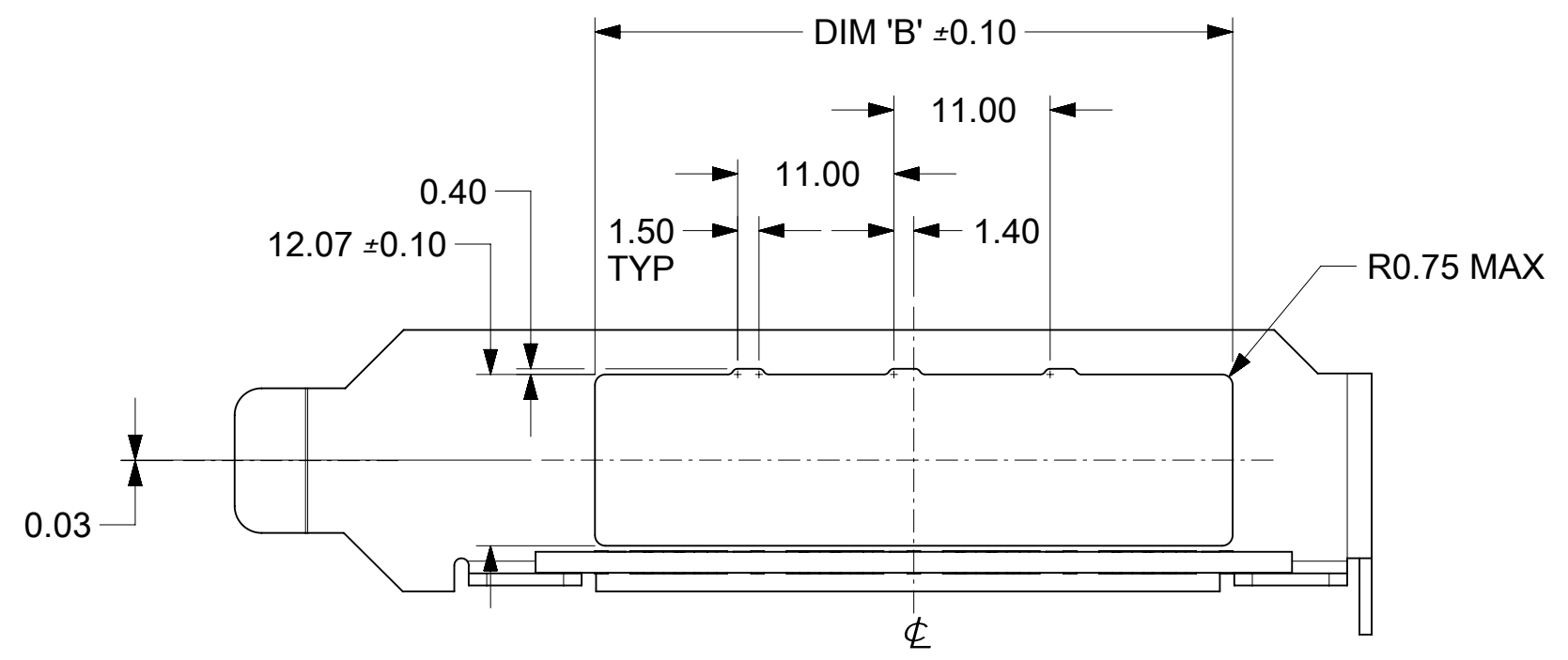
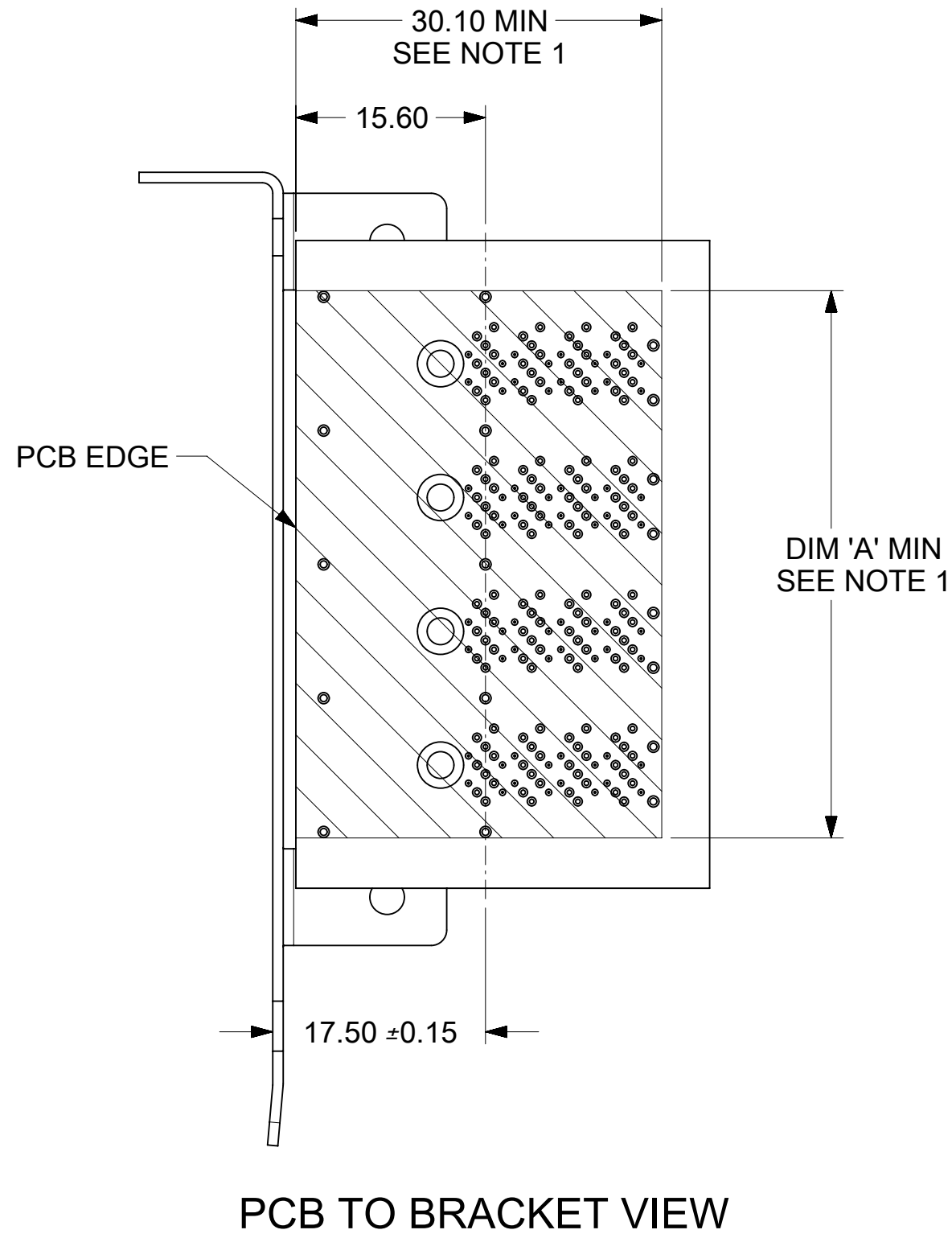
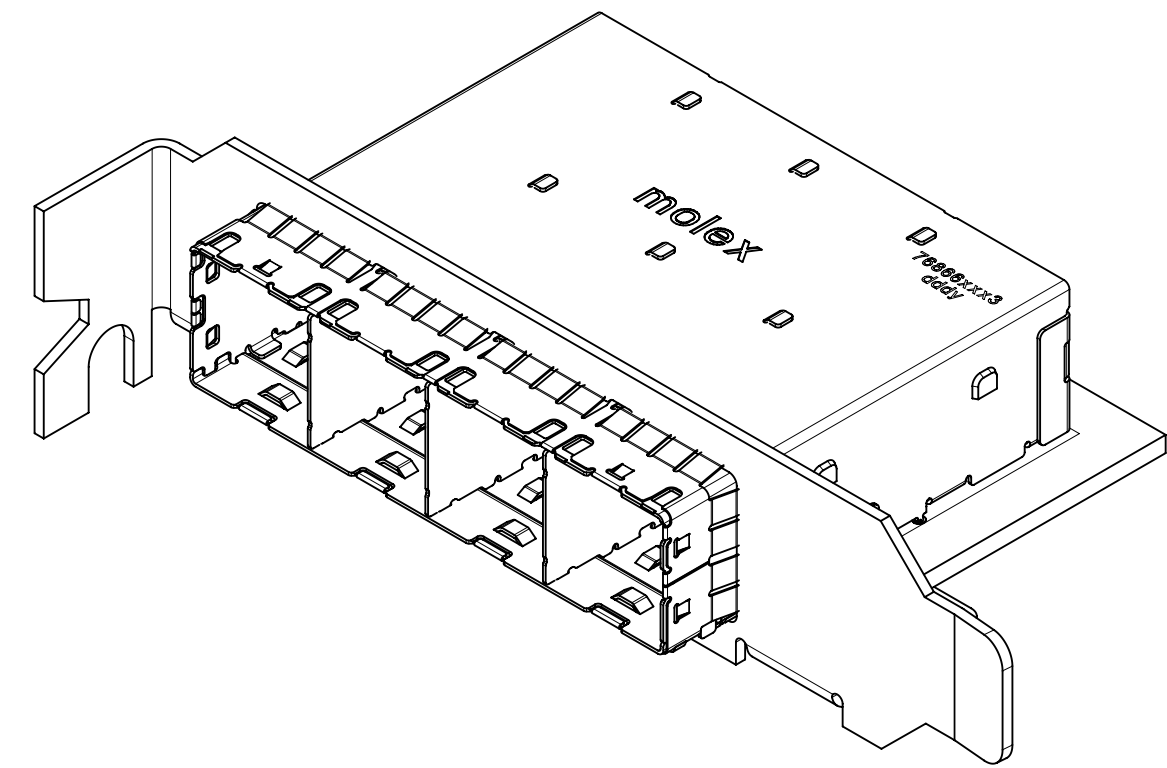
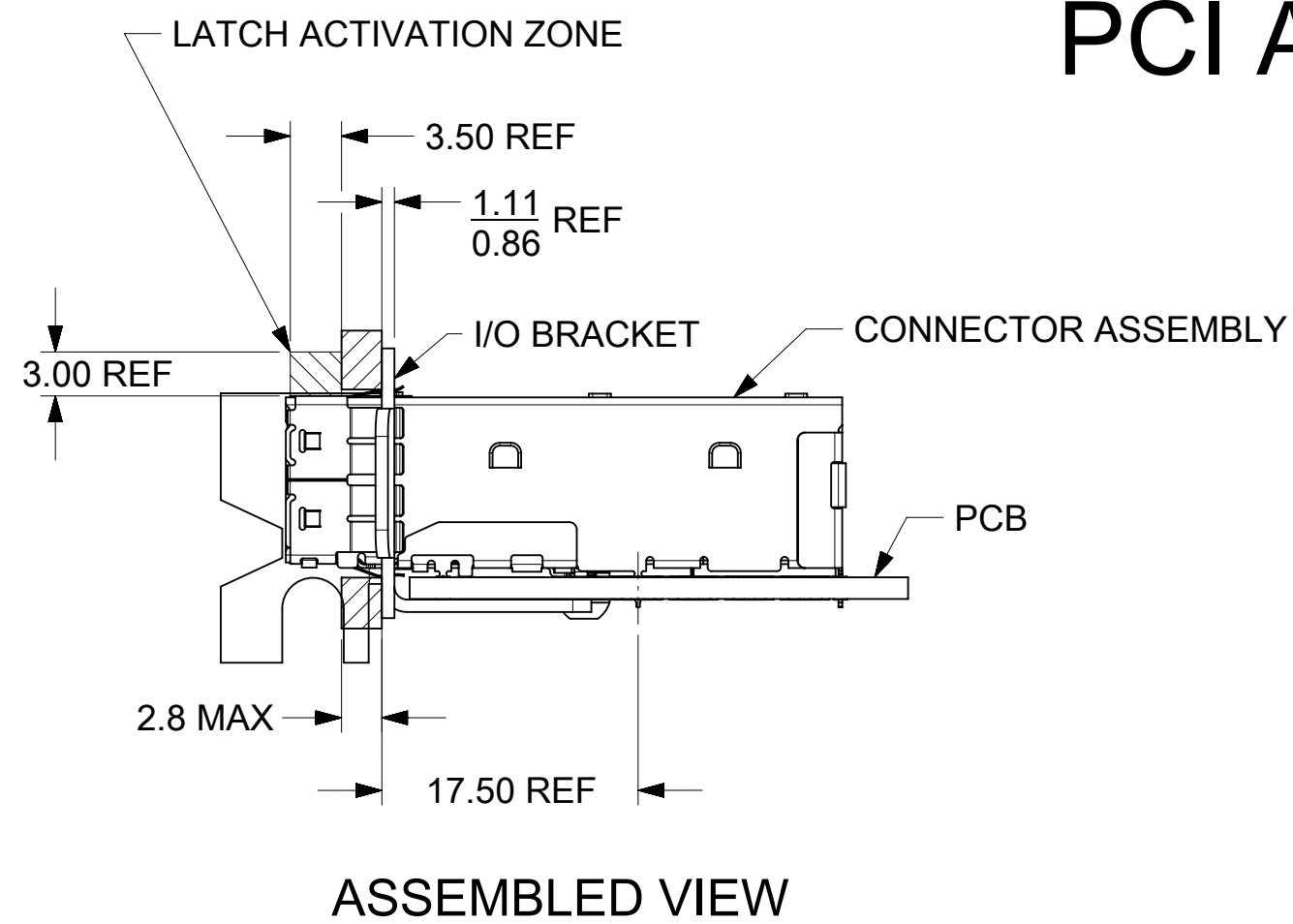


# 1X4 ASSEMBLY

MEXICO	DDDY
CHINA	MSHDDDY
MANUFACTURING LOCATION	DATE CODE

THIS DRAWING CONTAINS INFORMATION THAT IS PROPRIETARY TO MOLEX ELECTRONIC TECHNOLOGIES, LLC AND SHOULD NOT BE USED WITHOUT WRITTEN PERMISSION									
DIMENSION UNITS		SCALE		CURRENT REV DESC:					
MM		2:1							
GENERAL TOLERANCES (UNLESS SPECIFIED)				EC NO: 611291					
4 PLACES		±	±	DRWN: GSHARMA		2019/01/04			
3 PLACES		±	±	CHK'D: JKACHLIC		2019/07/18			
2 PLACES		± 0.13	±	APPR: JKACHLIC		2019/07/18			
1 PLACE		± 0.25	±	INITIAL REVISION:					
0 PLACES		±	±	DRWN: KLANG		2012/02/10			
ANGULAR TOL		± 0.5 °		APPR: MBANAKIS		2013/08/01			
DRAFT WHERE APPLICABLE MUST REMAIN WITHIN DIMENSIONS				THIRD ANGLE PROJECTION		DRAWING		SERIES	
				C-SIZE		78866			
DOCUMENT STATUS				P1		RELEASE DATE		2019/07/18 04:55:15	
DOCUMENT NUMBER				DOC TYPE		DOC PART		REVISION	
SD-76866-1002				PSD		001		C1	
MATERIAL NUMBER				CUSTOMER		SHEET NUMBER			
SEE CHART				GENERAL MARKET		4 OF 12			

# PCI ADD-IN CARD APPLICATION



CONFIGURATION	DIM 'A'	DIM 'B'
1 X 1	12.00	11.90
1 X 2	23.00	22.90
1 X 4	45.00	44.90

**NOTES:**  
 1. CONNECTOR KEEP OUT ZONE: PCB COMPONENTS ARE NOT ALLOWED IN THIS AREA.

THIS DRAWING CONTAINS INFORMATION THAT IS PROPRIETARY TO MOLEX ELECTRONIC TECHNOLOGIES, LLC AND SHOULD NOT BE USED WITHOUT WRITTEN PERMISSION

DIMENSION UNITS	SCALE	CURRENT REV DESC:	
MM	2:1		
GENERAL TOLERANCES (UNLESS SPECIFIED)		EC NO: 611291	
	MM	INCH	
4 PLACES	±	±	DRWN: GSHARMA 2019/01/04
3 PLACES	±	±	CHK'D: JKACHLIC 2019/07/18
2 PLACES	± 0.13	±	APPR: JKACHLIC 2019/07/18
1 PLACE	± 0.25	±	INITIAL REVISION:
0 PLACES	±	±	DRWN: KLANG 2012/02/10
ANGULAR TOL	± 0.5 °		APPR: MBANAKIS 2013/08/01
DRAFT WHERE APPLICABLE MUST REMAIN WITHIN DIMENSIONS	THIRD ANGLE PROJECTION	DRAWING	SERIES
		C-SIZE	76866

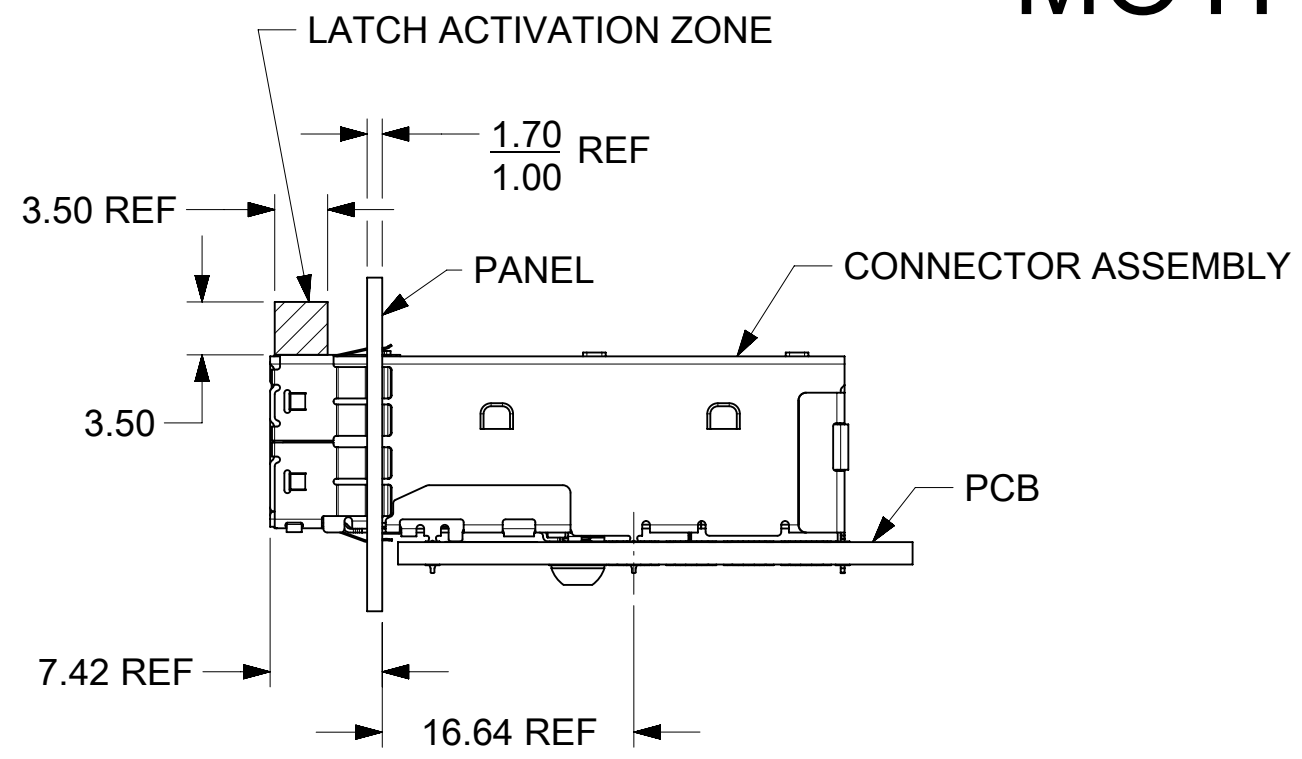
IPASS PLUS HD - 12G  
EXTERNAL EXTENDED SNOUT

PRODUCT CUSTOMER DRAWING

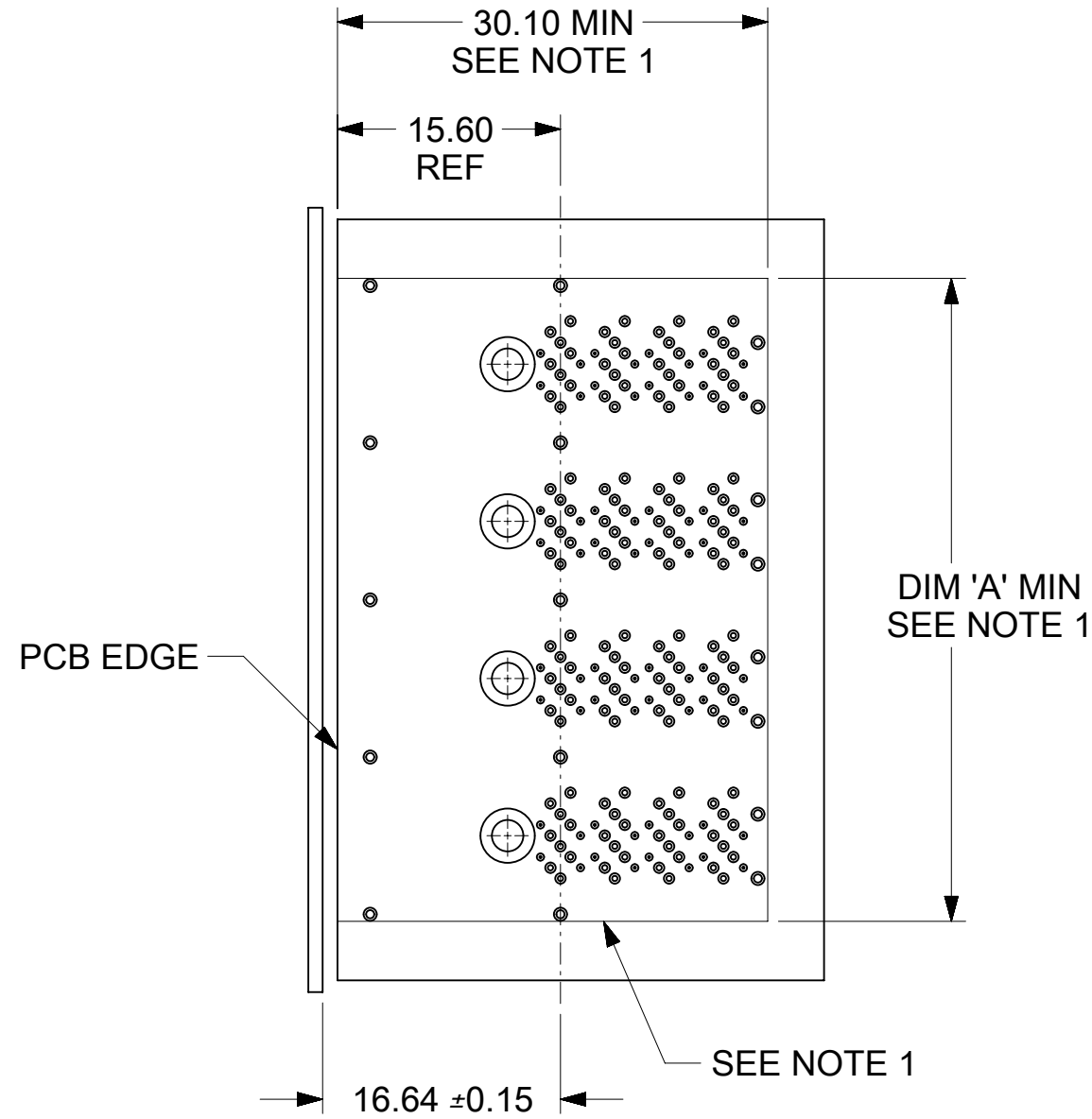
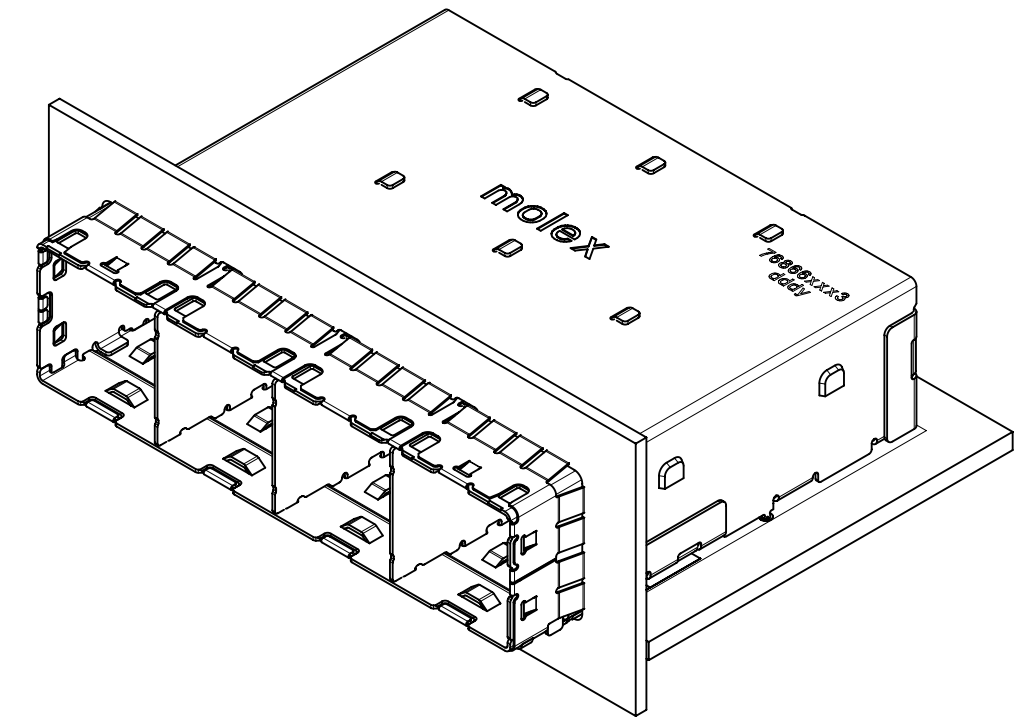
DOCUMENT NUMBER	DOC TYPE	DOC PART	REVISION
SD-76866-1002	PSD	001	C1

MATERIAL NUMBER	CUSTOMER	SHEET NUMBER
SEE CHART	GENERAL MARKET	5 OF 12

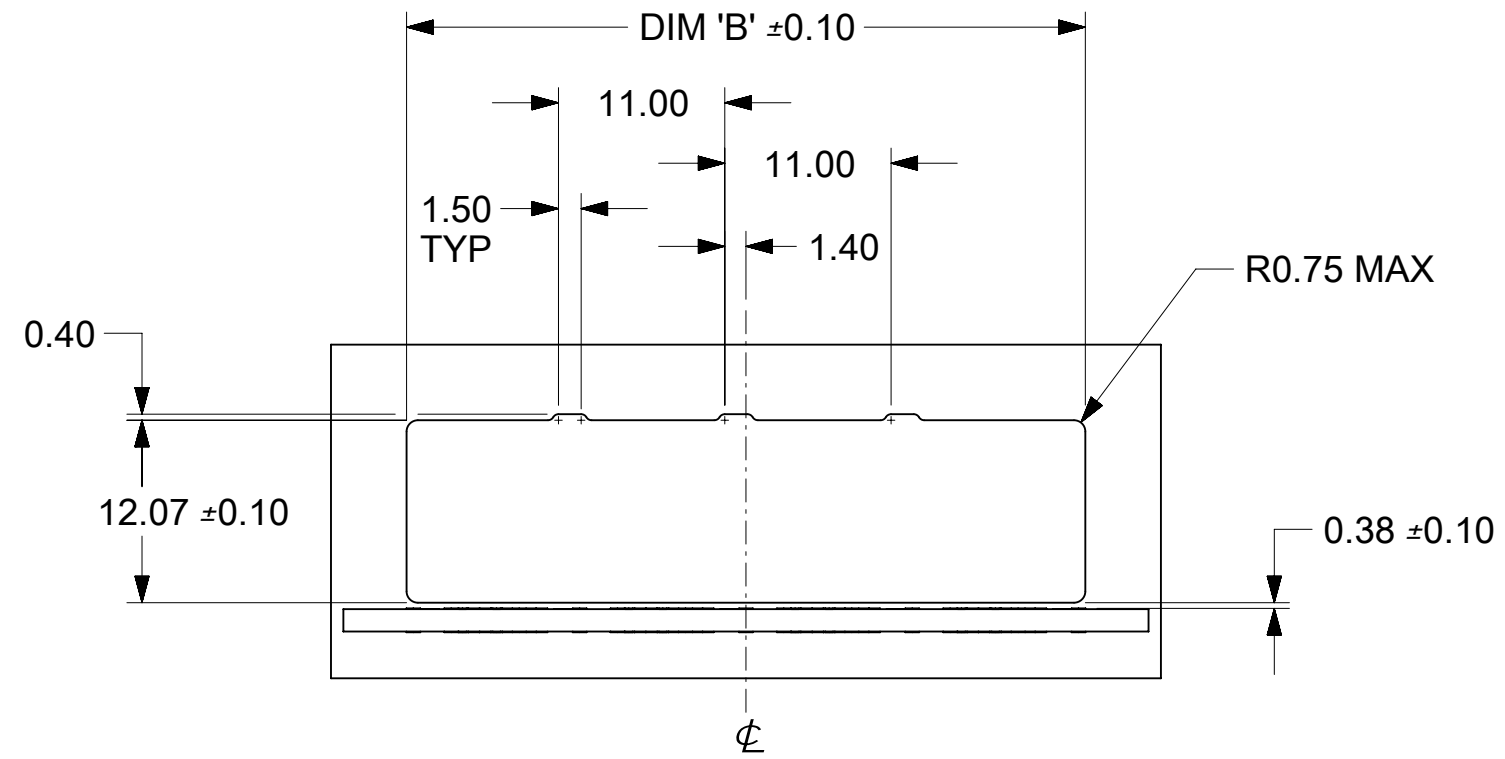
# MOTHER BOARD APPLICATION



ASSEMBLED VIEW



PCB TO BRACKET VIEW



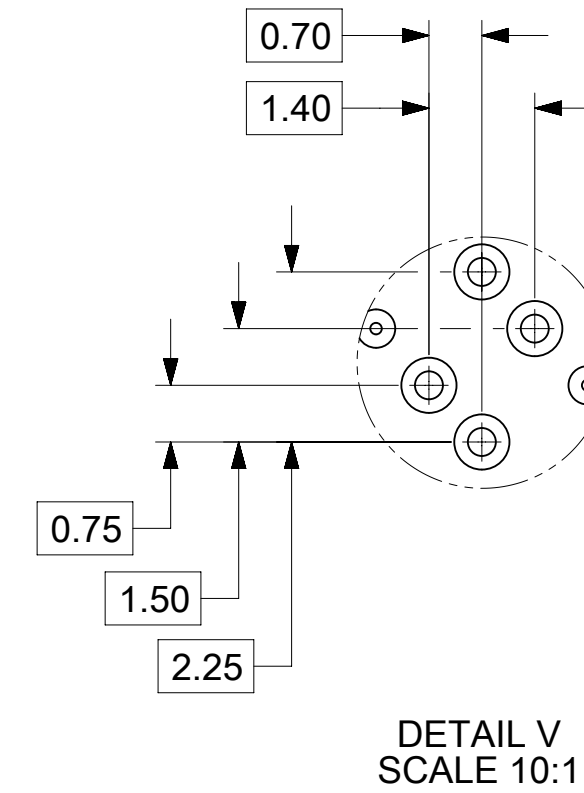
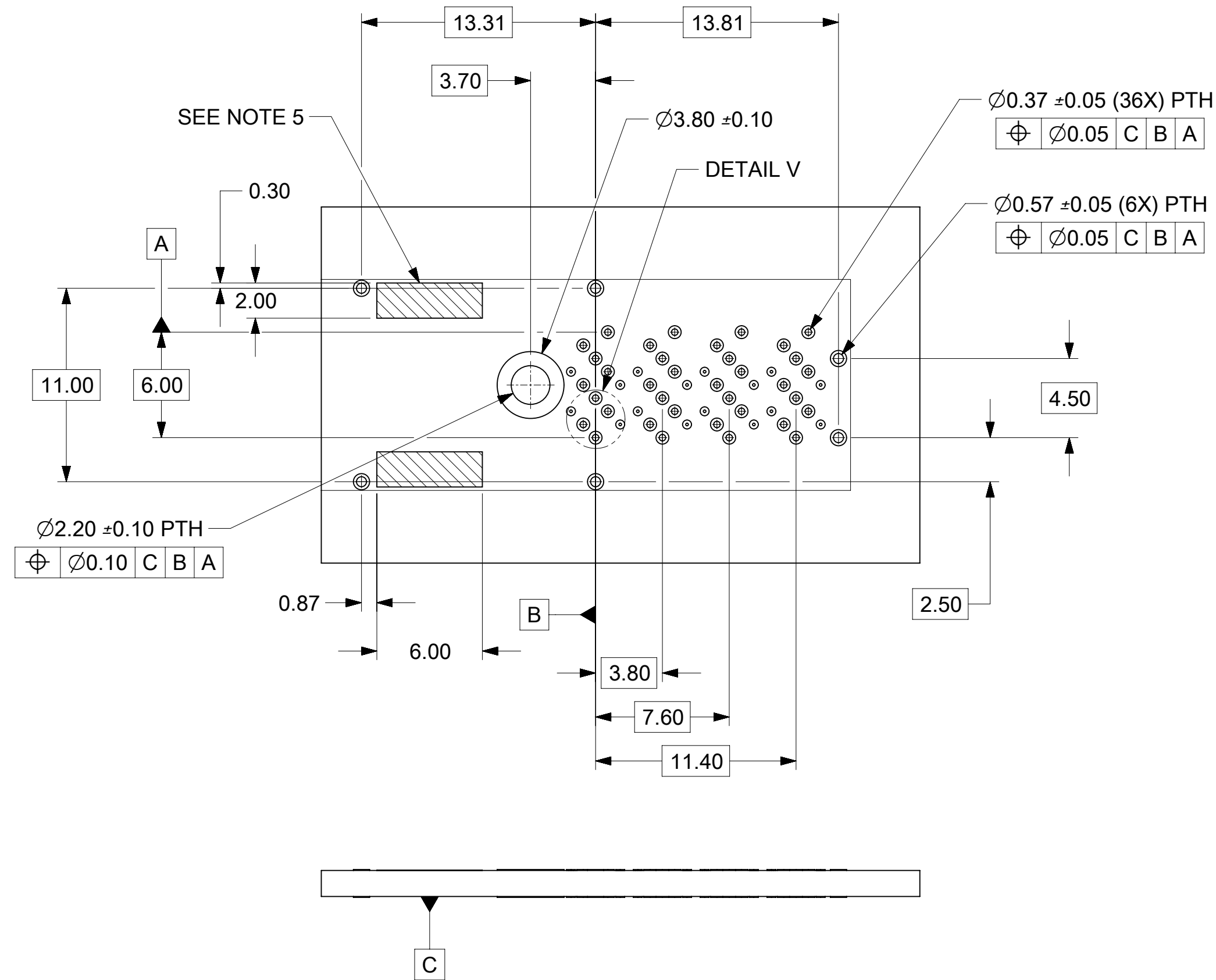
PANEL CUT OUT

CONFIGURATION	DIM 'A'	DIM 'B'
1 X 1	12.00	11.90
1 X 2	23.00	22.90
1 X 4	45.00	44.90

NOTES:  
1. CONNECTOR KEEP OUT ZONE: PCB COMPONENTS ARE NOT ALLOWED IN THIS AREA.

THIS DRAWING CONTAINS INFORMATION THAT IS PROPRIETARY TO MOLEX ELECTRONIC TECHNOLOGIES, LLC AND SHOULD NOT BE USED WITHOUT WRITTEN PERMISSION											
DIMENSION UNITS		SCALE		CURRENT REV DESC:							
MM		1:1									
GENERAL TOLERANCES (UNLESS SPECIFIED)				EC NO: 611291		DRWN: GSHARMA		2019/01/04		IPASS PLUS HD - 12G EXTERNAL EXTENDED SNOUT	
				DRWN: JKACHLIC		2019/07/18					
4 PLACES ±				APP: JKACHLIC		2019/07/18		PRODUCT CUSTOMER DRAWING			
3 PLACES ±				INITIAL REVISION:		DRWN: KLANG		2012/02/10		DOCUMENT NUMBER	
2 PLACES ± 0.13				APP: MBANAKIS		2013/08/01		SD-76866-1002		DOC TYPE DOC PART REVISION	
1 PLACE ± 0.25				THIRD ANGLE PROJECTION		DRAWING		SERIES		MATERIAL NUMBER CUSTOMER SHEET NUMBER	
0 PLACES ±				DRAFT WHERE APPLICABLE MUST REMAIN WITHIN DIMENSIONS		C-SIZE		76866		SEE CHART GENERAL MARKET 6 OF 12	
ANGULAR TOL ± 0.5°											

# 1X1 RECOMMENDED FOOTPRINT

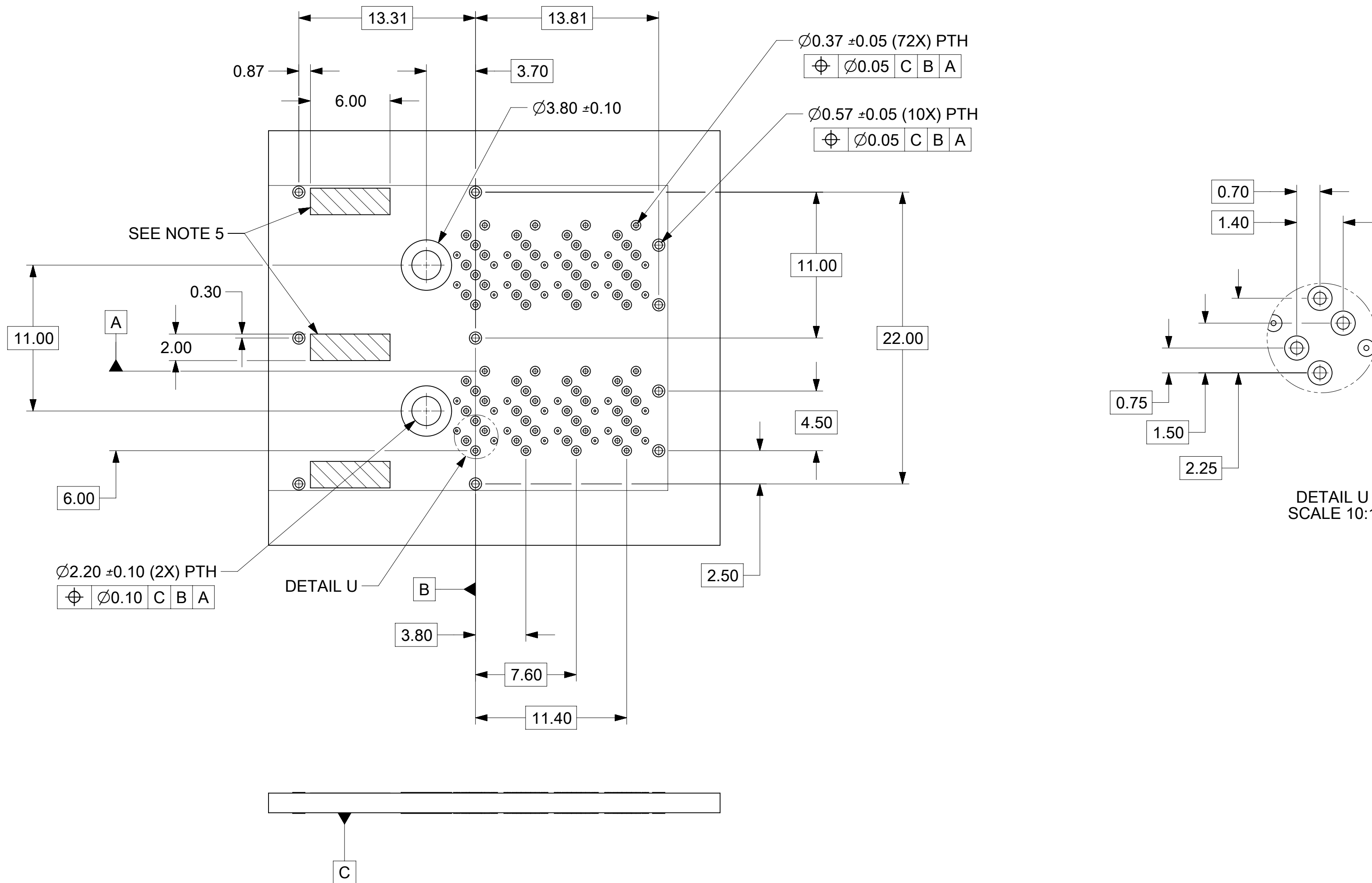


**NOTES:**

1. RECOMMENDED DRILL & ANNULAR RING SIZE FOR 0.37Ø FINISHED PTH - REFER TO APPLICATION SPECIFICATION AS-76866-001
2. MINIMUM RECOMMENDED SPACING: 47.00MM
3. MINIMUM PCB THICKNESS: 1.57MM
4. RECOMMENDED DRILL & ANNULAR RING SIZE FOR 0.57Ø FINISHED PTH - REFER TO APPLICATION SPECIFICATION AS-76866-001
5. CAGE KEEP OUT ZONE: TRACES AND VIAS ARE NOT ALLOWED ON SURFACE OF PCB IN THESE AREAS.

THIS DRAWING CONTAINS INFORMATION THAT IS PROPRIETARY TO MOLEX ELECTRONIC TECHNOLOGIES, LLC AND SHOULD NOT BE USED WITHOUT WRITTEN PERMISSION									
DIMENSION UNITS		SCALE		CURRENT REV DESC:					
MM		4:1		EC NO: 611291 DRWN: GSHARMA 2019/01/04 CHK'D: JKACHLIC 2019/07/18 APPR: JKACHLIC 2019/07/18 INITIAL REVISION: DRWN: KLANG 2012/02/10 APPR: MBANAKIS 2013/08/01					
GENERAL TOLERANCES (UNLESS SPECIFIED)									
4 PLACES	±		±						
3 PLACES	±		±						
2 PLACES	±	0.13	±						
1 PLACE	±	0.25	±	PRODUCT CUSTOMER DRAWING					
0 PLACES	±		±	DOCUMENT NUMBER		DOC TYPE	DOC PART	REVISION	
ANGULAR TOL ± 0.5 °				SD-76866-1002		PSD	001	C1	
DRAFT WHERE APPLICABLE MUST REMAIN WITHIN DIMENSIONS				THIRD ANGLE PROJECTION		DRAWING		SERIES	
				C-SIZE		76866		MATERIAL NUMBER	
				SEE CHART		GENERAL MARKET		SHEET NUMBER	
								7 OF 12	

# 1X2 RECOMMENDED FOOTPRINT

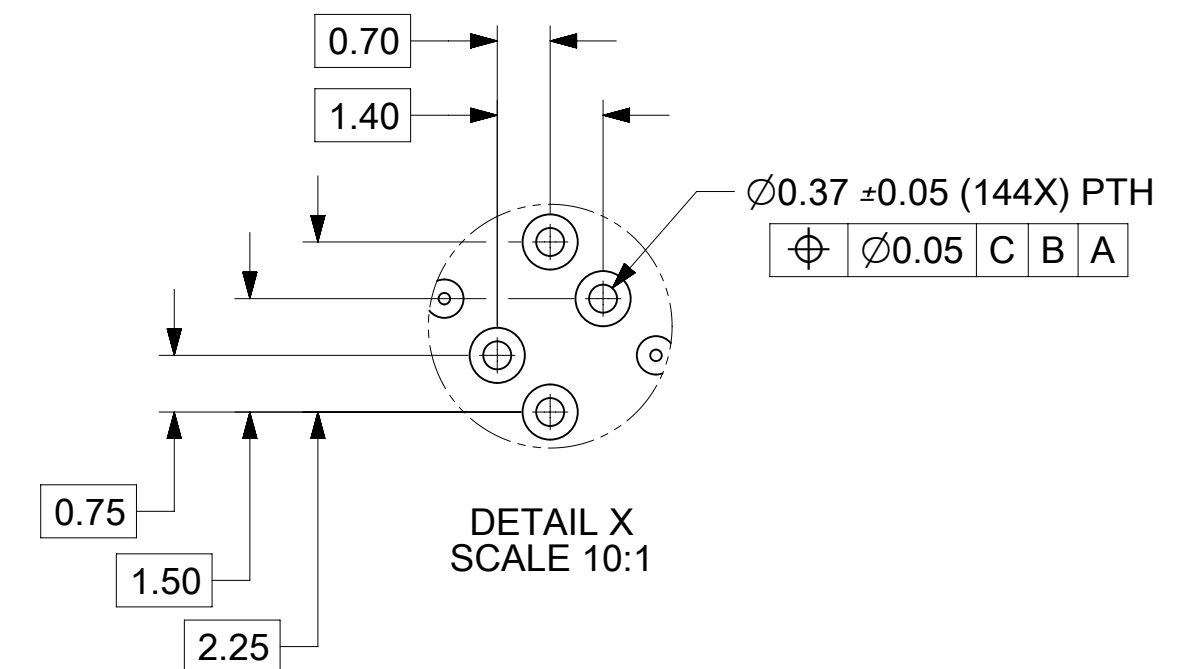
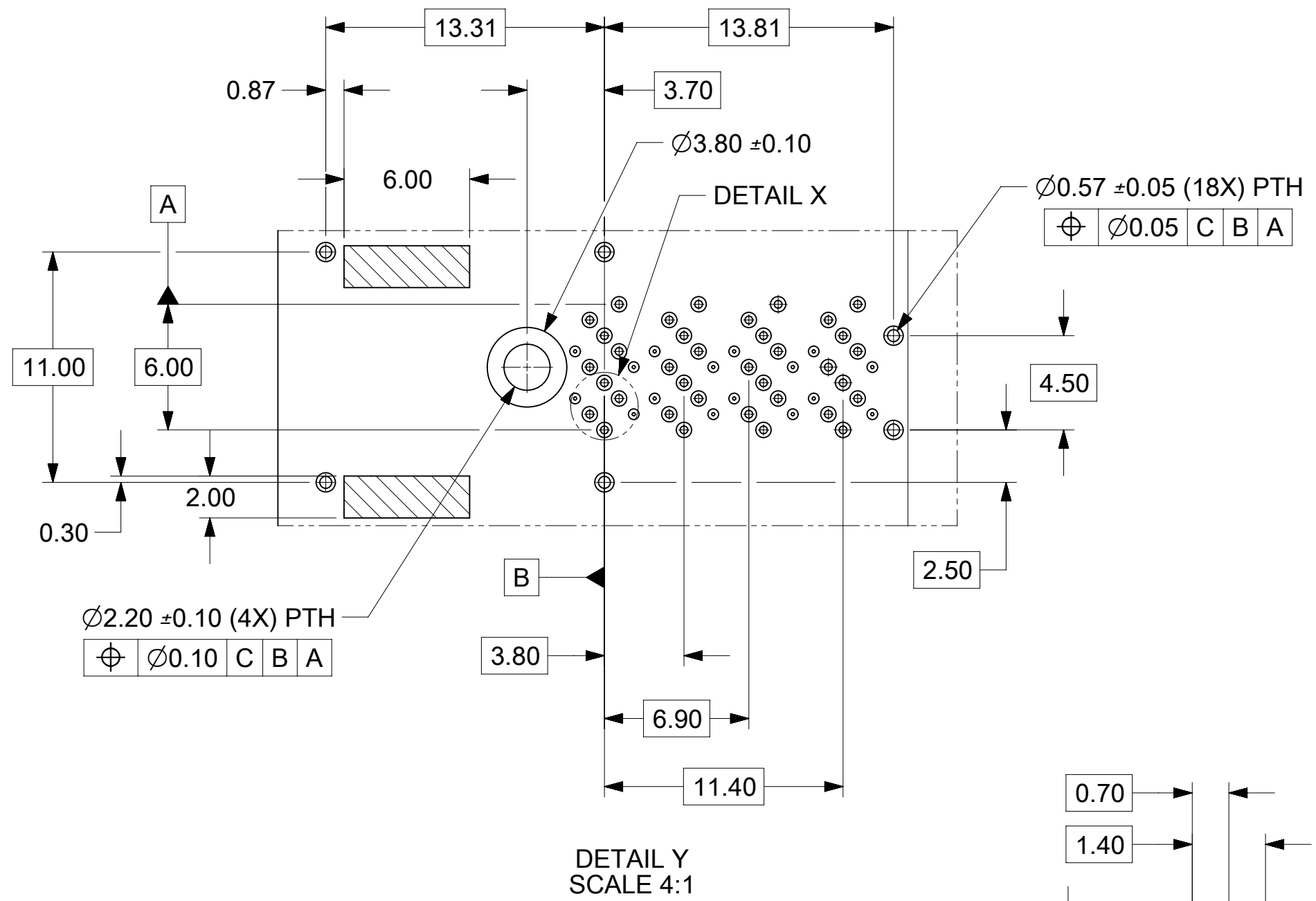
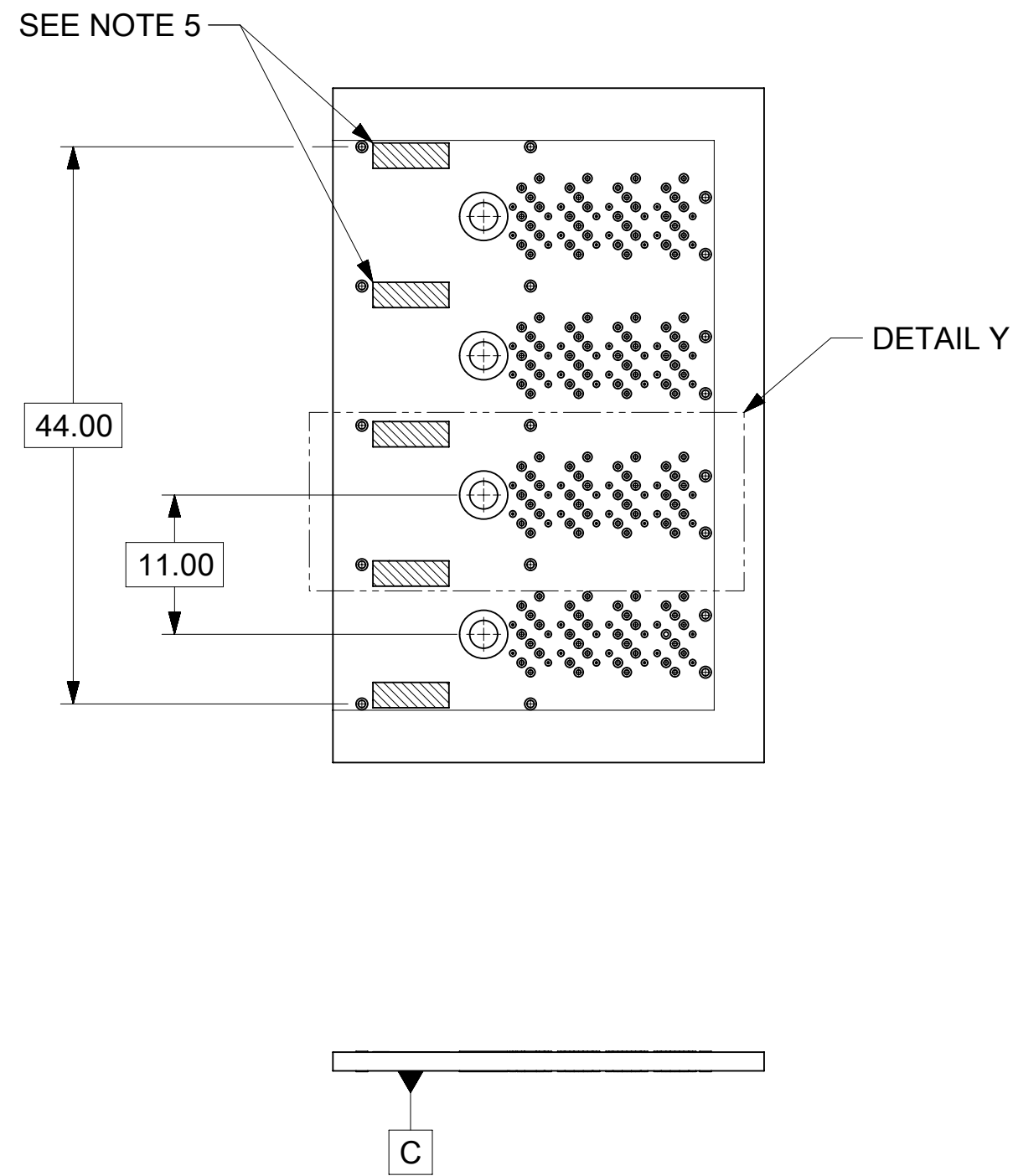


- NOTES:**
1. RECOMMENDED DRILL & ANNULAR RING SIZE FOR 0.37Ø FINISHED PTH - REFER TO APPLICATION SPECIFICATION AS-76866-001
  2. MINIMUM RECOMMENDED SPACING: 47.00MM
  3. MINIMUM PCB THICKNESS: 1.57MM
  4. RECOMMENDED DRILL & ANNULAR RING SIZE FOR 0.57Ø FINISHED PTH - REFER TO APPLICATION SPECIFICATION AS-76866-001
  5. CAGE KEEP OUT ZONE: TRACES AND VIAS ARE NOT ALLOWED ON SURFACE OF PCB IN THESE AREAS.

THIS DRAWING CONTAINS INFORMATION THAT IS PROPRIETARY TO MOLEX ELECTRONIC TECHNOLOGIES, LLC AND SHOULD NOT BE USED WITHOUT WRITTEN PERMISSION									
DIMENSION UNITS		SCALE		CURRENT REV DESC:					
MM		4:1		EC NO: 611291 DRWN: GSHARMA 2019/01/04 CHK'D: JKACHLIC 2019/07/18 APPR: JKACHLIC 2019/07/18 INITIAL REVISION: DRWN: KLANG 2012/02/10 APPR: MBANAKIS 2013/08/01					
GENERAL TOLERANCES (UNLESS SPECIFIED)									
		MM	INCH						
4 PLACES	±		±						
3 PLACES	±		±						
2 PLACES	±	0.13	±						
1 PLACE	±	0.25	±						
0 PLACES	±		±						
ANGULAR TOL ± 0.5°				DRAFT WHERE APPLICABLE MUST REMAIN WITHIN DIMENSIONS THIRD ANGLE PROJECTION DRAWING SERIES C-SIZE 76866					
DOCUMENT NUMBER		DOC TYPE		DOC PART		REVISION			
SD-76866-1002		PSD		001		C1			
MATERIAL NUMBER		CUSTOMER		SHEET NUMBER					
SEE CHART		GENERAL MARKET		8 OF 12					



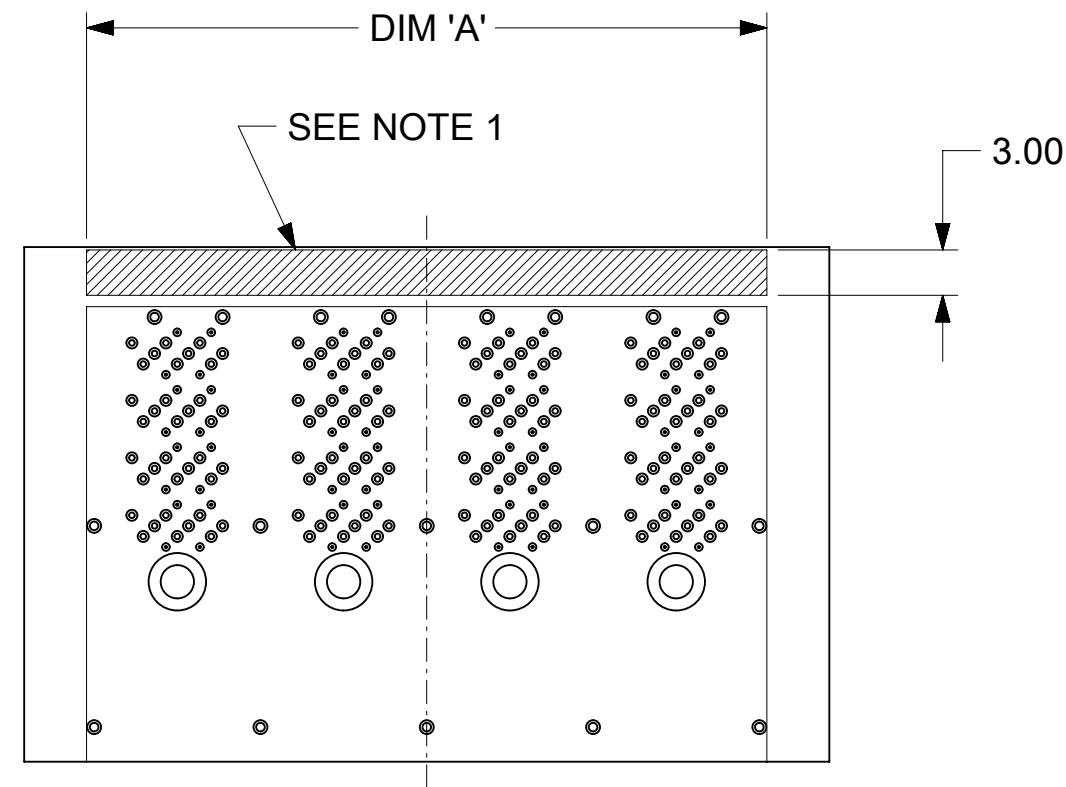
# 1X4 RECOMMENDED FOOTPRINT



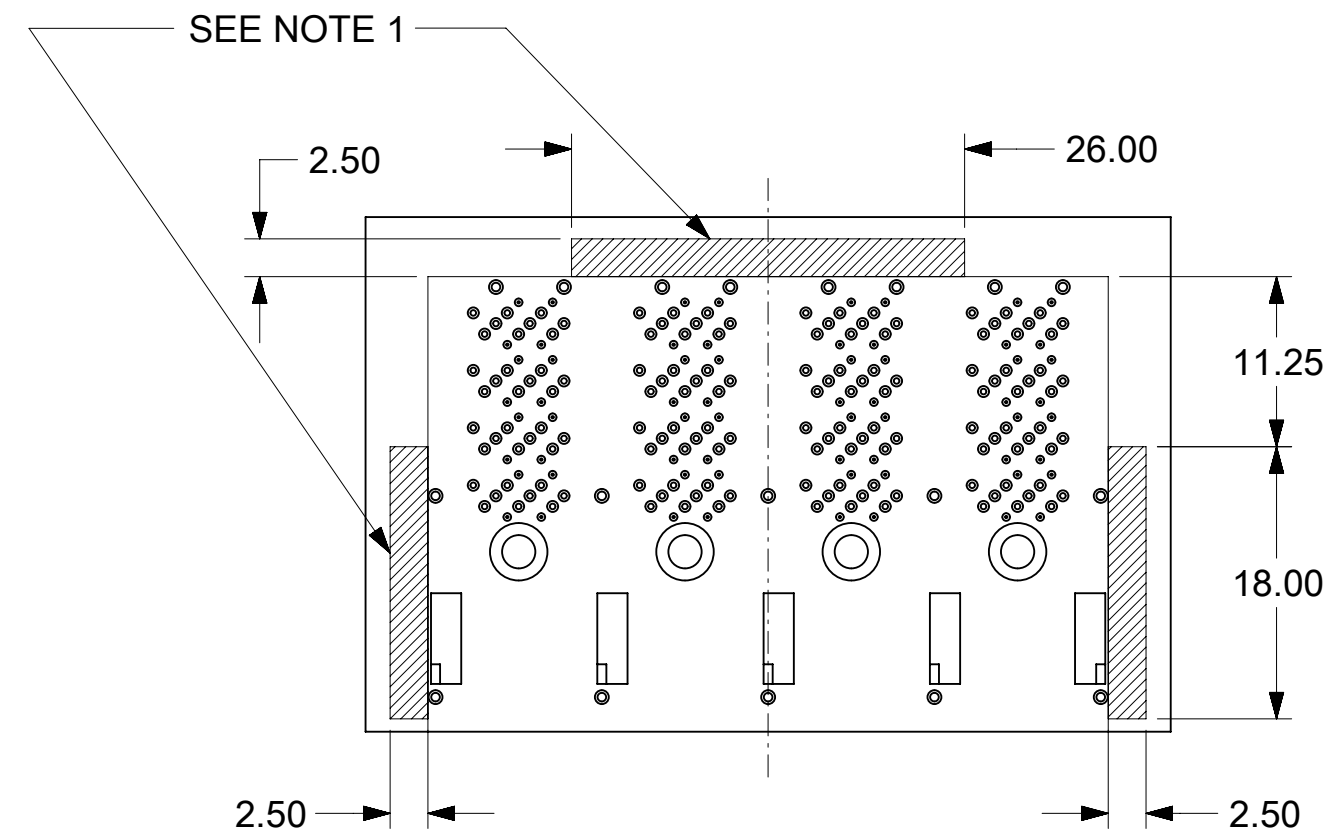
- NOTES:
1. RECOMMENDED DRILL & ANNULAR RING SIZE FOR  $0.37\varnothing$  FINISHED PTH - REFER TO APPLICATION SPECIFICATION AS-76866-001
  2. MINIMUM RECOMMENDED SPACING: 47.00MM
  3. MINIMUM PCB THICKNESS: 1.57MM
  4. RECOMMENDED DRILL & ANNULAR RING SIZE FOR  $0.57\varnothing$  FINISHED PTH - REFER TO APPLICATION SPECIFICATION AS-76866-001
  5. CAGE KEEP OUT ZONE: TRACES AND VIAS ARE NOT ALLOWED ON SURFACE OF PCB IN THESE AREAS.

THIS DRAWING CONTAINS INFORMATION THAT IS PROPRIETARY TO MOLEX ELECTRONIC TECHNOLOGIES, LLC AND SHOULD NOT BE USED WITHOUT WRITTEN PERMISSION									
DIMENSION UNITS		SCALE		CURRENT REV DESC:					
MM		2:1							
GENERAL TOLERANCES (UNLESS SPECIFIED)				EC NO: 611291					
				MM		INCH		DRWN: GSHARMA 2019/01/04	
4 PLACES		±		±		±		CHK'D: JKACHLIC 2019/07/18	
3 PLACES		±		±		±		APPR: JKACHLIC 2019/07/18	
2 PLACES		±		0.13		±		INITIAL REVISION:	
1 PLACE		±		0.25		±		DRWN: KLANG 2012/02/10	
0 PLACES		±		±		±		APPR: MBANAKIS 2013/08/01	
ANGULAR TOL ± 0.5°				THIRD ANGLE PROJECTION		DRAWING		SERIES	
DRAFT WHERE APPLICABLE MUST REMAIN WITHIN DIMENSIONS				C-SIZE		76866		MATERIAL NUMBER CUSTOMER SHEET NUMBER	
DOCUMENT STATUS		P1		RELEASE DATE		2019/07/18 04:55:15		SD-76866-1002 PSD 001 C1	
SEE CHART		GENERAL MARKET		9 OF 12					

# RECOMMENDED TOOLING KEEP OUT AREAS



INSERTION TOOL KEEP OUT AREA



EXTRACTION TOOL KEEP OUT AREA

NOTES:  
1. NO COMPONENTS ALLOWED IN THESE AREAS

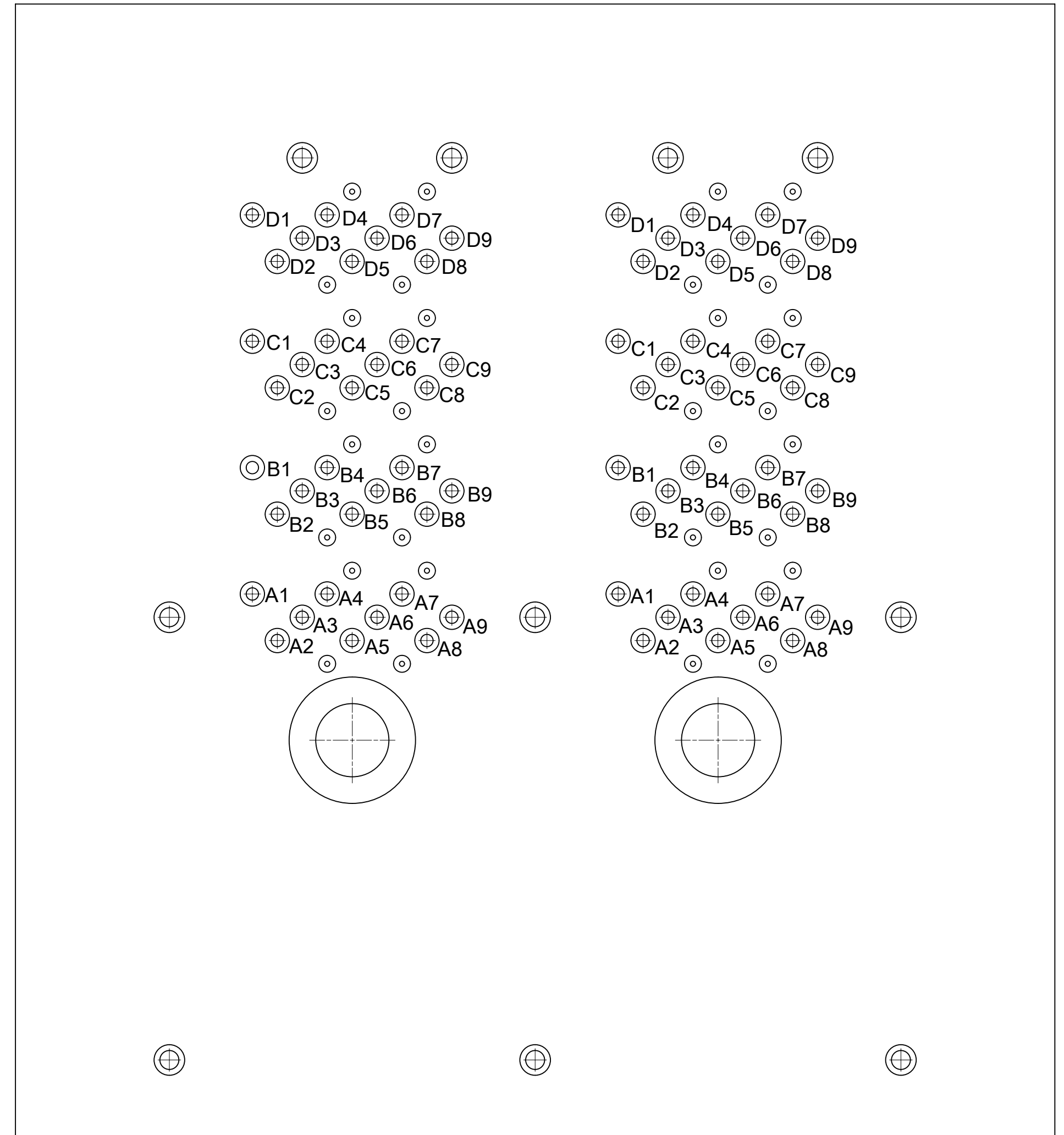
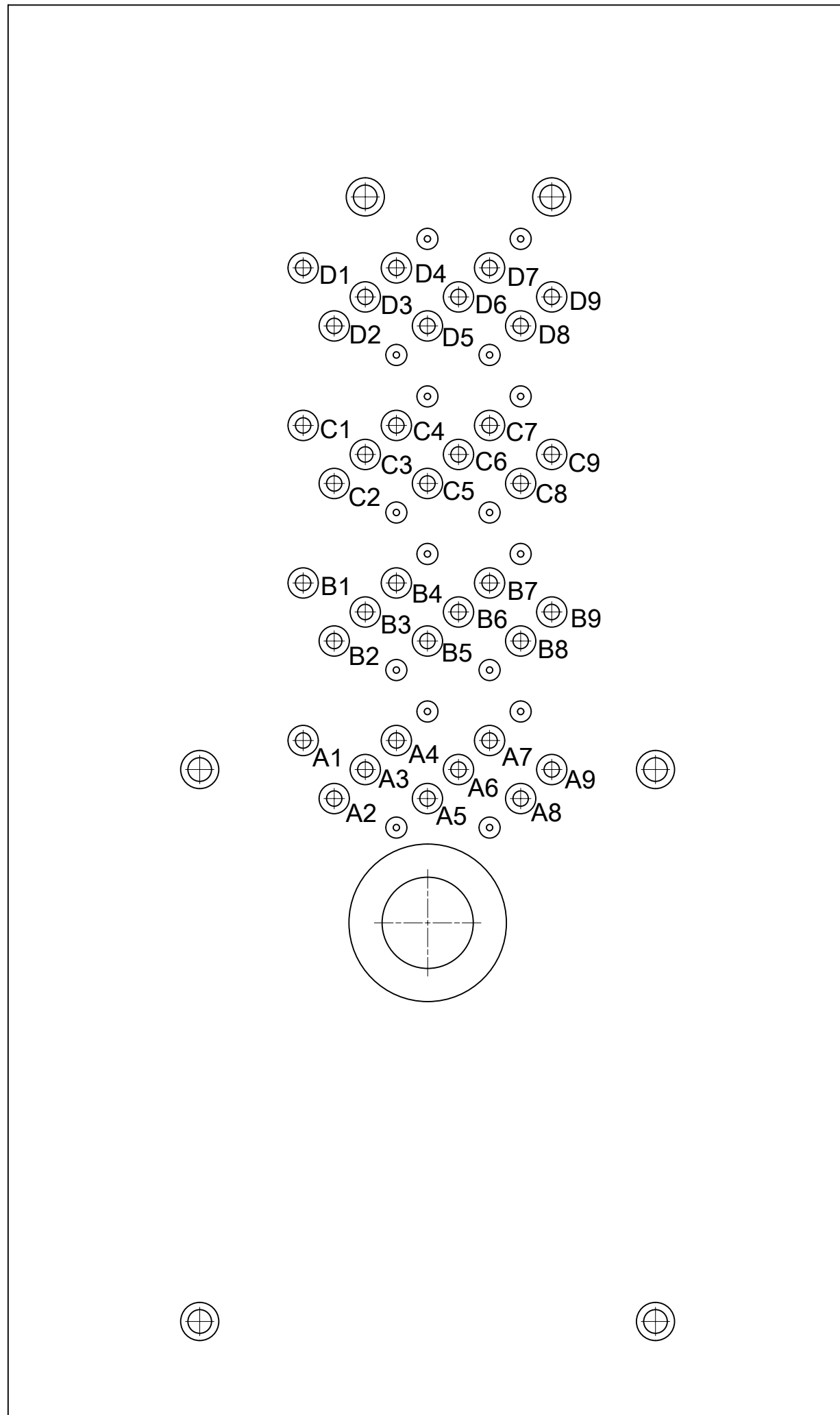
CONFIGURATION	DIM 'A' (MIN)
1 X 1	12.00
1 X 2	23.00
1 X 4	45.00

THIS DRAWING CONTAINS INFORMATION THAT IS PROPRIETARY TO MOLEX ELECTRONIC TECHNOLOGIES, LLC AND SHOULD NOT BE USED WITHOUT WRITTEN PERMISSION

DIMENSION UNITS <b>MM</b>		SCALE <b>1:1</b>		CURRENT REV DESC:				<b>molex</b>						
GENERAL TOLERANCES (UNLESS SPECIFIED)				EC NO: 611291										
		MM	INCH	DRWN: GSHARMA		2019/01/04		IPASS PLUS HD - 12G EXTERNAL EXTENDED SNOOT						
4 PLACES ±				CHK'D: JKACHLIC		2019/07/18								
3 PLACES ±				APPR: JKACHLIC		2019/07/18		PRODUCT CUSTOMER DRAWING						
2 PLACES ± 0.13				INITIAL REVISION:										
1 PLACE ± 0.25				DRWN: KLANG		2012/02/10		DOCUMENT NUMBER		DOC TYPE	DOC PART	REVISION		
0 PLACES ±				APPR: MBANAKIS		2013/08/01		<b>SD-76866-1002</b>		PSD	001	<b>C1</b>		
ANGULAR TOL ± 0.5 °				DRAFT WHERE APPLICABLE MUST REMAIN WITHIN DIMENSIONS		THIRD ANGLE PROJECTION		DRAWING		SERIES		MATERIAL NUMBER	CUSTOMER	SHEET NUMBER
								<b>C-SIZE</b>		<b>76866</b>		SEE CHART	GENERAL MARKET	10 OF 12

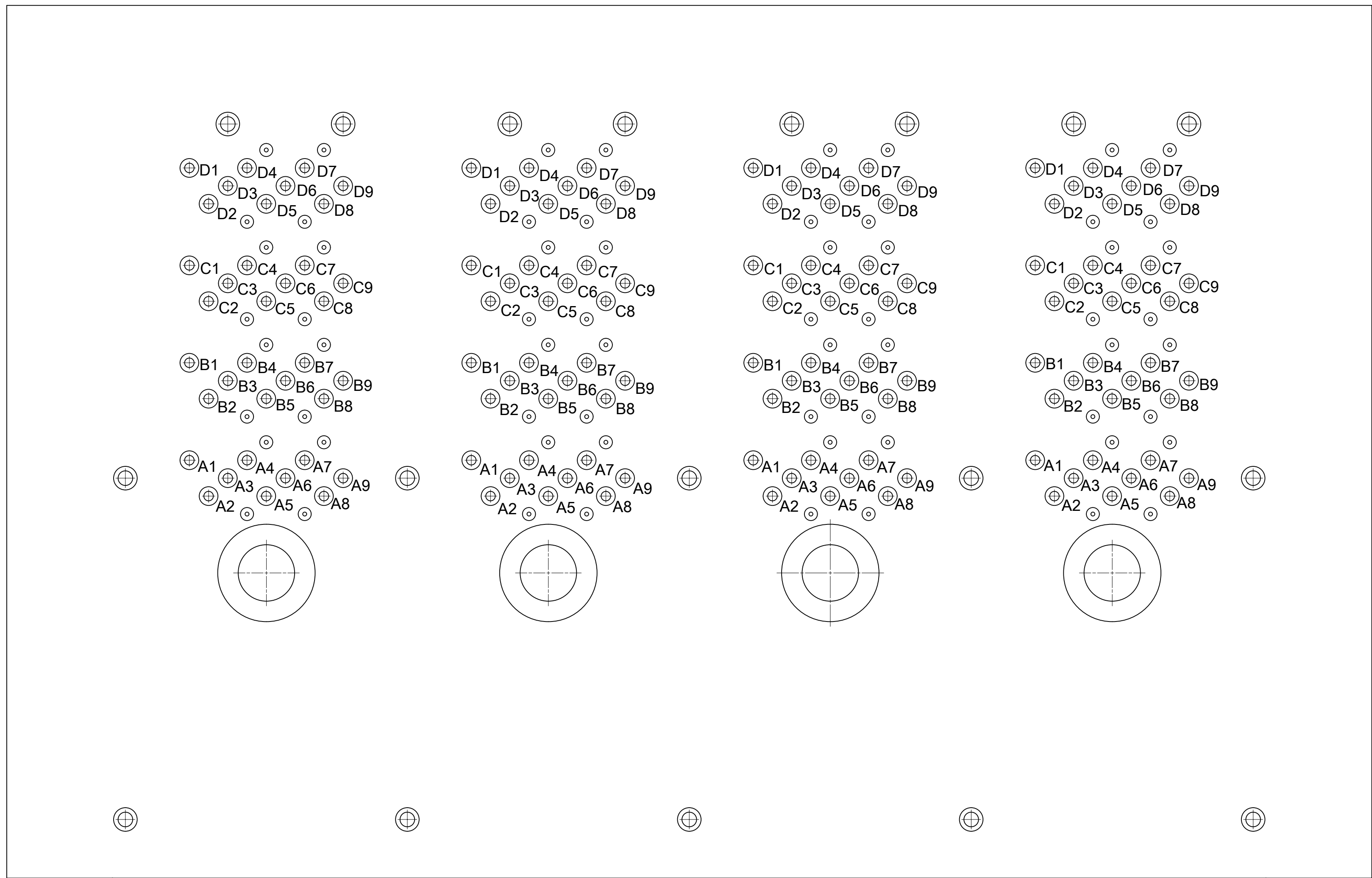
DOCUMENT STATUS	P1	RELEASE DATE	2019/07/18	04:55:15
-----------------	----	--------------	------------	----------

# 1X1 & 1X2 FOOTPRINT CIRCUIT IDENTIFICATION



THIS DRAWING CONTAINS INFORMATION THAT IS PROPRIETARY TO MOLEX ELECTRONIC TECHNOLOGIES, LLC AND SHOULD NOT BE USED WITHOUT WRITTEN PERMISSION									
DIMENSION UNITS		SCALE		CURRENT REV DESC:				<b>molex</b>	
MM		8:1							
GENERAL TOLERANCES (UNLESS SPECIFIED)				EC NO: 611291		2019/01/04		IPASS PLUS HD - 12G EXTERNAL EXTENDED SNOOT	
4 PLACES		±		DRWN: GSHARMA		2019/07/18			
3 PLACES		±		CHK'D: JKACHLIC		2019/07/18		PRODUCT CUSTOMER DRAWING	
2 PLACES		± 0.13		APPR: JKACHLIC		2019/07/18			
1 PLACE		± 0.25		INITIAL REVISION:				DOCUMENT NUMBER	
0 PLACES		±		DRWN: KLANG		2012/02/10			
ANGULAR TOL		± 0.5 °		APPR: MBANAKIS		2013/08/01		SD-76866-1002	
DRAFT WHERE APPLICABLE MUST REMAIN WITHIN DIMENSIONS				THIRD ANGLE PROJECTION		DRAWING		SERIES	
				C-SIZE		76866		MATERIAL NUMBER	
								CUSTOMER	
								SEE CHART	
								GENERAL MARKET	
								SHEET NUMBER	
								11 OF 12	

# 1X4 FOOTPRINT CIRCUIT IDENTIFICATION



THIS DRAWING CONTAINS INFORMATION THAT IS PROPRIETARY TO MOLEX ELECTRONIC TECHNOLOGIES, LLC AND SHOULD NOT BE USED WITHOUT WRITTEN PERMISSION

DIMENSION UNITS		SCALE		CURRENT REV DESC:				<b>molex</b>				
MM		8:1										
GENERAL TOLERANCES (UNLESS SPECIFIED)				EC NO: 611291				IPASS PLUS HD - 12G EXTERNAL EXTENDED SNOOT				
		MM	INCH	DRWN: GSHARMA		2019/01/04						
4 PLACES		±	±	CHK'D: JKACHLIC		2019/07/18						
3 PLACES		±	±	APPR: JKACHLIC		2019/07/18		PRODUCT CUSTOMER DRAWING				
2 PLACES		± 0.13	±	INITIAL REVISION:				DOCUMENT NUMBER				
1 PLACE		± 0.25	±	DRWN: KLANG		2012/02/10		SD-76866-1002		DOC TYPE	DOC PART	REVISION
0 PLACES		±	±	APPR: MBANAKIS		2013/08/01		PSD	001	C1		
ANGULAR TOL ± 0.5 °				THIRD ANGLE PROJECTION		DRAWING	SERIES	MATERIAL NUMBER	CUSTOMER	SHEET NUMBER		
DRAFT WHERE APPLICABLE MUST REMAIN WITHIN DIMENSIONS						C-SIZE	76866	SEE CHART	GENERAL MARKET	12 OF 12		

DOCUMENT STATUS	P1	RELEASE DATE	2019/07/18	04:55:15
-----------------	----	--------------	------------	----------