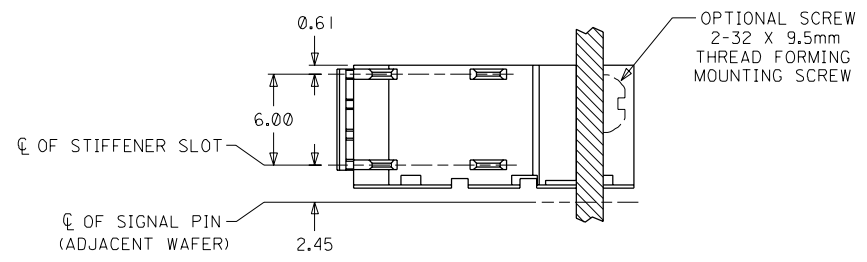
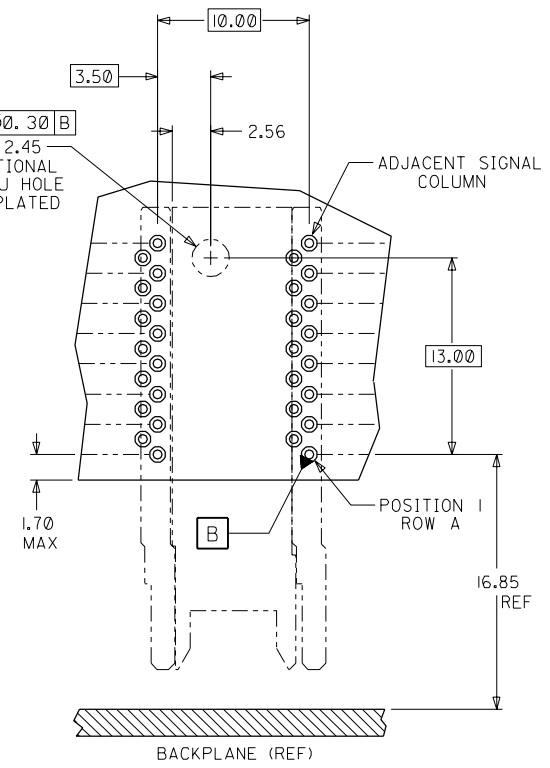
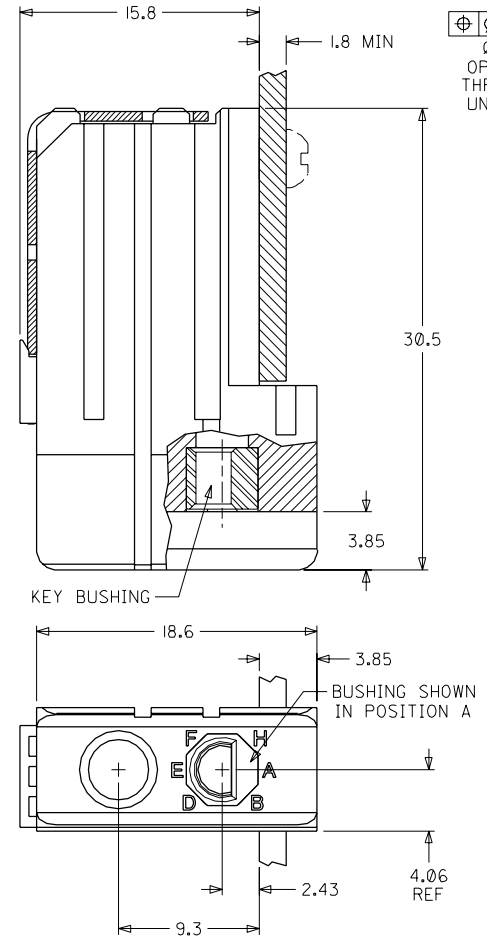
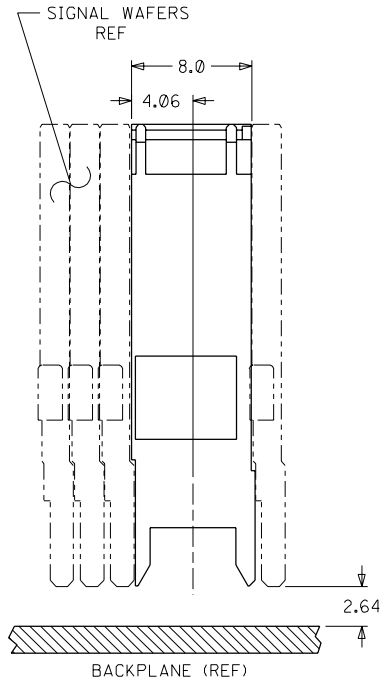


NOTES: (UNLESS OTHERWISE SPECIFIED)

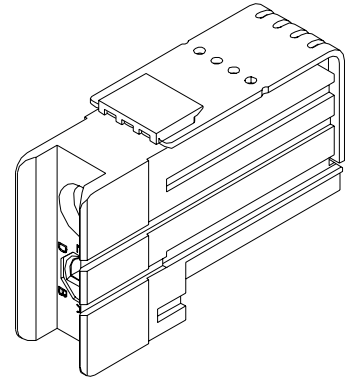
1. MATERIALS: HOUSING - LIQUID CRYSTAL POLYMER (LCP), GLASS-FILLED, UL94V-0, BLACK.  
KEY BUSHING - STAINLESS STEEL.
2. FINISH: NONE.
3. REFER TO MOLEX PRODUCT SPECIFICATION PS-74031-999 FOR PERFORMANCE SPECIFICATIONS.



MATERIAL NUMBER	BUSHING CLOCK POSITION	
74037-0008	NONE	
74037-8001	A	
74037-8002	B	
74037-8003	C	
74037-8004	D	
74037-8005	E	
74037-8006	F	
74037-8007	G	
74037-8008	H	



DAUGHTERCARD HOLE PATTERN (CONNECTOR SIDE)

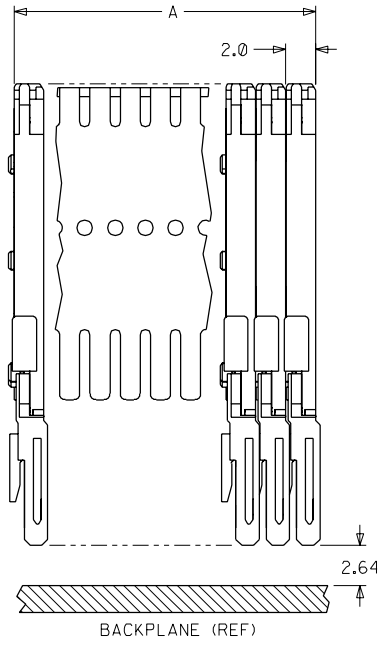
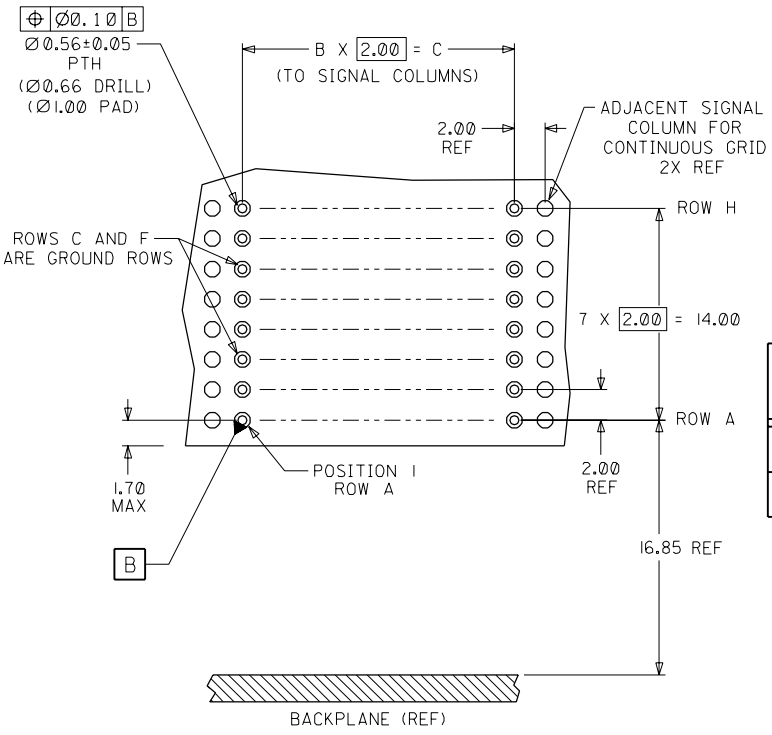
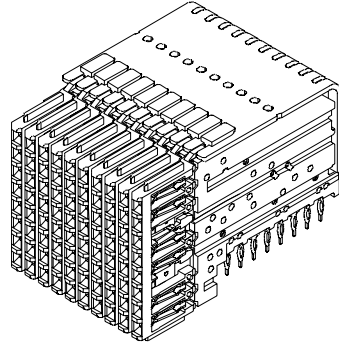
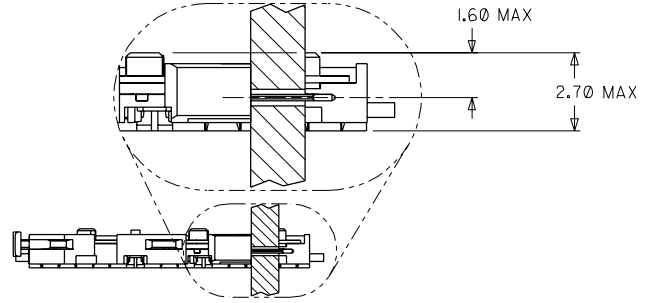


INITIAL RELEASE EC NO. UDT 1999-0291 DRWN: LAURX 98/10/19 CHK: MQWANG 98/10/19 APPR: BIXLER 98/10/19	QUALITY SYMBOLS MAJOR $\nabla$ = 0 CRITICAL $\nabla$ = 0	GENERAL TOLERANCES: (UNLESS SPECIFIED)		SCALE 4 : 1	DESIGN UNITS <input checked="" type="checkbox"/> mm <input type="checkbox"/> INCH	THIRD ANGLE PROJECTION <input type="checkbox"/> mm <input type="checkbox"/> INCH <input checked="" type="checkbox"/> mm ONLY	SHT	REV		
		4 PLACES ±0. -- ±. --	3 PLACES ±0. -- ±. --	2 PLACES ±0.13 ±. --	1 PLACE ±0.25 ±. --		DRAWN BY & DATE LAURX 98/10/19		TITLE: VHDM DAUGHTERCARD 8 ROW GUIDE MODULE SALES DRAWING	
		ANGULAR: ± 2°					CHECKED BY & DATE MQWANG 98/10/19		APPROVED BY & DATE BIXLER 98/10/19	
		DRAFT WHERE APPLICABLE MUST REMAIN WITHIN DIMENSIONS					CAD FILENAME S7403706.DGN		MATERIAL NO. SEE CHART	
				THIS DRAWING CONTAINS INFORMATION THAT IS PROPRIETARY TO MOLEX INCORPORATED AND SHOULD NOT BE USED WITHOUT WRITTEN PERMISSION.				SIZE C		

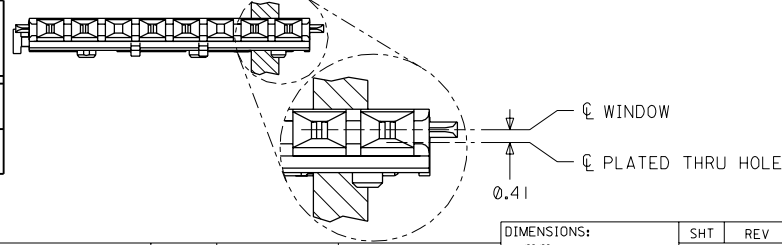
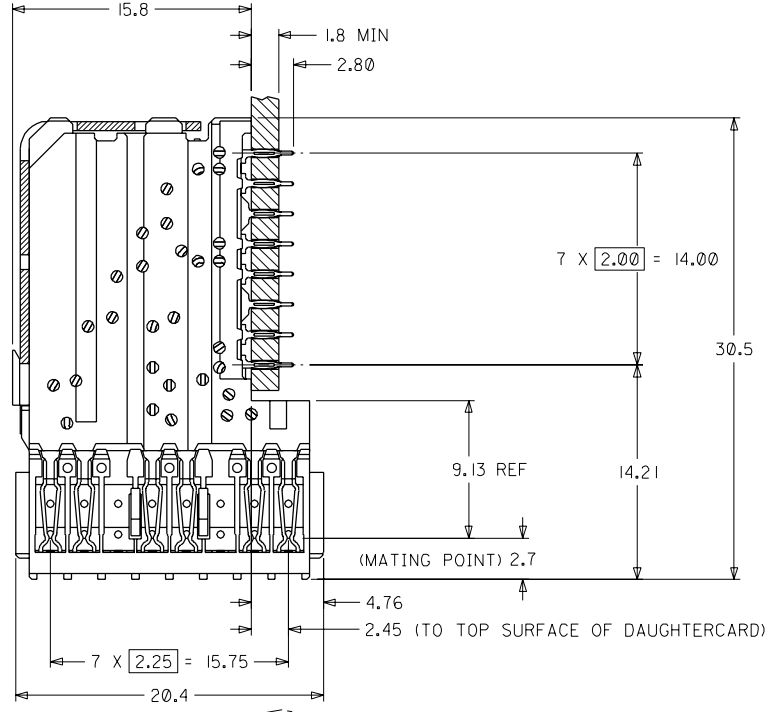
NOTES: (UNLESS OTHERWISE SPECIFIED)

1. MATERIALS: HOUSING - LIQUID CRYSTAL POLYMER (LCP), GLASS-FILLED, UL94V-0. TERMINALS - HIGH PERFORMANCE COPPER ALLOY.
2. FINISH: SELECTIVE GOLD (Au) IN CONTACT AREA, SELECTIVE TIN/LEAD (Sn/Pb) ON PCB TAILS NICKEL (Ni) OVERALL.
3. REFER TO MOLEX PRODUCT SPECIFICATION PS-74031-999 FOR PERFORMANCE SPECIFICATIONS.
4. SIGNAL WAFERS SUPPLIED ON STAINLESS STEEL STIFFENER IN GROUPS OF 10 OR 25 ONLY.

MATERIAL NUMBER	MINIMUM GOLD PLATING	WAFER PLASTIC COLOR
74681-0001	0.00076mm (30uIN)	BLACK
74681-0051	0.00127mm (50uIN)	GRAY



NUMBER OF SIGNAL WAFERS	A	B	C
10	20.0	9	18.00
25	50.0	24	48.00



DAUGHTERCARD HOLE PATTERN (CONNECTOR SIDE)

INITIAL RELEASE EC NO. UDT2001-1132 DRWN: LAURX 01/04/18 CHK: MARTIN 01/04/18 APPR: BIXLER 01/04/18	MAJOR DESCRIPTION CRITICAL	QUALITY SYMBOLS		GENERAL TOLERANCES: (UNLESS SPECIFIED)	SCALE 4 : 1	DESIGN UNITS <input checked="" type="checkbox"/> mm <input type="checkbox"/> INCH	DIMENSIONS: <input type="checkbox"/> mm <input type="checkbox"/> INCH <input checked="" type="checkbox"/> mm ONLY		SHT	REV
		DRAWN BY & DATE LAURX 01/04/18		CHECKED BY & DATE MARTIN 01/04/18		APPROVED BY & DATE BIXLER 01/04/18		TITLE: VHDM - HSD 8 ROW DAUGHTERCARD SIGNAL WAFER SALES DRAWING		
ANGULAR: ± 2°		DRAFT WHERE APPLICABLE MUST REMAIN WITHIN DIMENSIONS		CAD FILENAME S7468102.DGN		MATERIAL NO. SEE CHART		DRAWING NO. SD-74681-002		SHEET NO. 1 OF 1
THIS DRAWING CONTAINS INFORMATION THAT IS PROPRIETARY TO MOLEX INCORPORATED AND SHOULD NOT BE USED WITHOUT WRITTEN PERMISSION.										SIZE C