

6

5

4

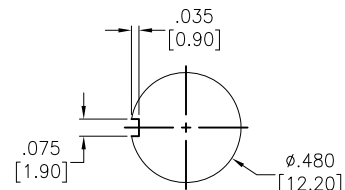
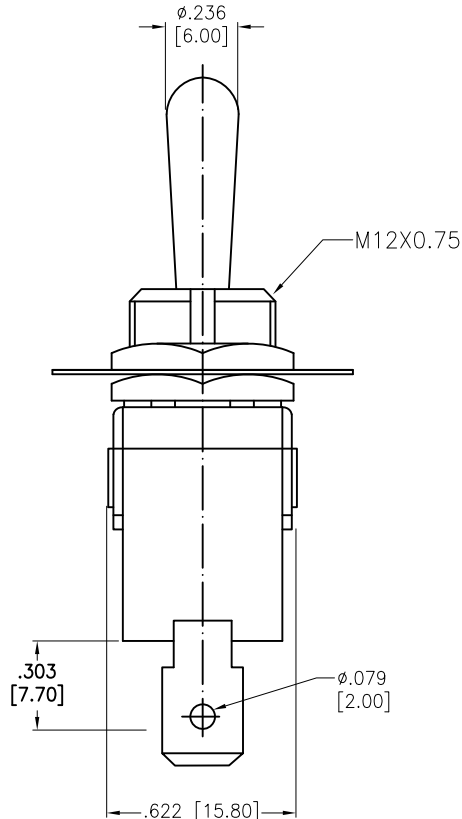
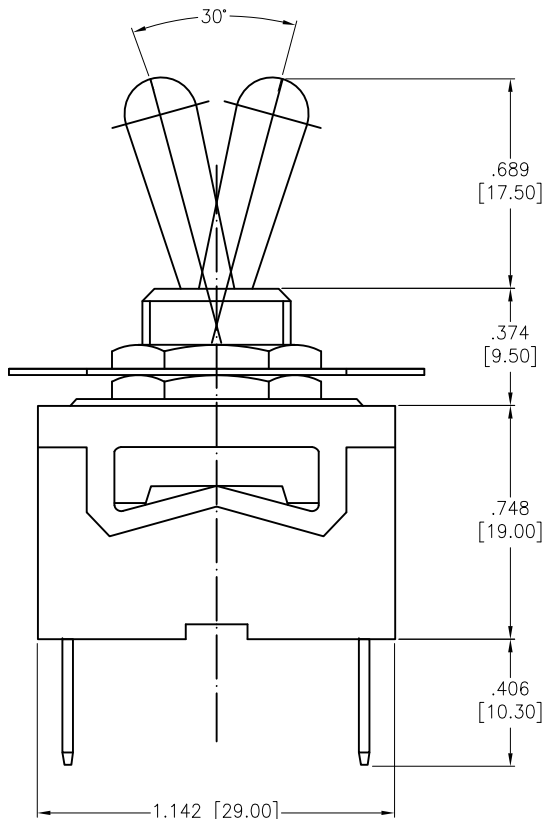
3

2

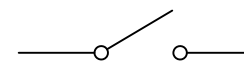
1

APPROVED: _____
DATE: _____ TITLE: _____

| Rev | AWO # | Description | Date | Appr |
|-----|-------|-------------|---------|------|
| - | | RELEASED | 8/10/21 | |



RECOMMENDED
PANEL CUT-OUT



CIRCUIT DIAGRAM
(SPST)

SW-T1-1X-B-K1

A=ON-OFF
C=OFF-(ON)

SPECIFICATIONS:

Material:
Body: Bakelite, Color: Black
Lever: Brass, Nickel plated
Terminal: Brass, Silver plated

Electrical:
Rating: 10A @ 250V AC
15A @ 125V AC
Contact resistance: 50 mΩ max

Insulation resistance: 1000 MΩ min (500VDC)
Dielectric withstanding voltage: 1500V AC for 1 minute
Electrical Life: 10,000 cycles
Temperature Rating:

Operating temperature: -25°C to +85°C

Environmental:

Lead free, RoHS compliant



UNLESS OTHERWISE SPECIFIED ALL DIMENSIONS
ARE INCHES [MM]. TOLERANCES: EXCEPT AS NOTED

| INCHES | | HOLES | |
|--------|--------|-------|--------|
| .x | ± .10 | ∅x | ± .10 |
| .xx | ± .020 | ∅xx | ± .015 |
| .xxx | ± .015 | ∅xxx | ± .010 |

| | | |
|----------|----|---------|
| DRAWN | WX | 8/10/21 |
| CHECKED | RC | 8/10/21 |
| APPROVED | | |

THIS DRAWING CONTAINS INFORMATION THAT IS PROPRIETARY
AND SHOULD NOT BE USED WITHOUT PRIOR WRITTEN
PERMISSION FROM ADAM TECH



909 Rahway Avenue,
Union, NJ 07083
Phone: 908-687-5000
Fax: 908-687-5710

TITLE SWITCH, TOGGLE MEDIUM, SPST,
ON-OFF, OFF-(ON), PC TERMINAL .250" [6.35MM]

| | | |
|--------------|---------------------------|--------------|
| SIZE X | PART NO. SW-T1-1X-B-K1 | REV. - |
| REF: S00204C | SCALE: NTS | SHEET 1 OF 1 |

6

5

4

3

2

1