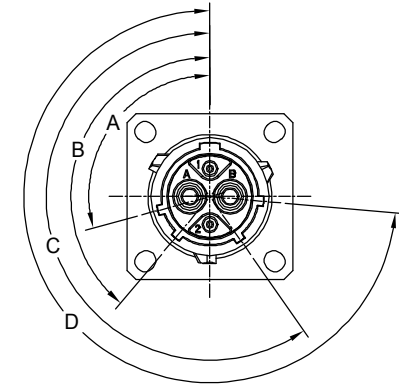
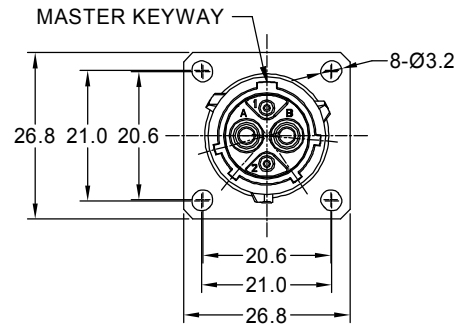
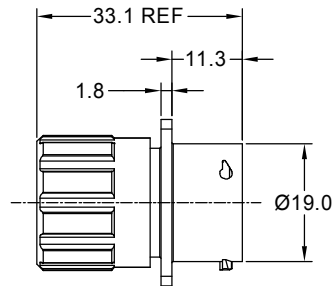


| REVISIONS | | | | | |
|-----------|-----|---------------------------------|-------------|--------|-------|
| REV | ECO | DESCRIPTION | DATE | BY | APPR |
| B1 | - | RELEASED DRAWING | JUN-30-2014 | BEN | TOMMY |
| B2 | - | VOLTAGE UPDATE AND ADD KEY ICON | Nov-27-2020 | Ronald | Tommy |



NOTES : (UNLESS OTHERWISE SPECIFIED)

1. MATERIAL :

- SHELL : ZINC ALLOY , NICKEL PLATED.
- INSERT : THERMOPLASTIC , UL94 V-0.
- END CAP : THERMOPLASTIC , UL94 V-0.
- PLASTIC BUSHING : THERMOPLASTIC , UL94 V-0.
- SEAL GASKET : NBR/SILICONE RUBBER.
- O-RING : NBR/SILICONE RUBBER.
- WIRE SEAL : SILICONE RUBBER.

2. SPECIFICATIONS :

2.1 RATED CURRENT :

- 2.1.1 2.5mm CONTACT 23A (MAX) .
- 2.1.2 20# CONTACT 5A (MAX).

2.2 RATED VOLTAGE : 500V (AC/DC) .

2.3 OPERATING TEMPERATURE : SEE CHART.

2.4 DIELECTRIC WITHSTANDING VOLTAGE : LESS THAN 2 MILLIAMPS CURRENT LEAKAGE@2000 VOLTS AC.

2.5 INSULATION RESISTANCE : 5000 MEGOHMS MIN.

2.6 IP--CLASS : IP67 (MATED CONDITION).

2.7 MATING CYCLES DURABILITY : 500 CYCLES MIN.

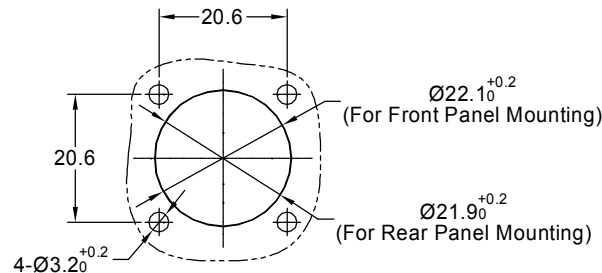
2.8 ROHS COMPLIANT.

3. SUITABLE CONTACTS : 2.5mm & 20# CONTACTS.

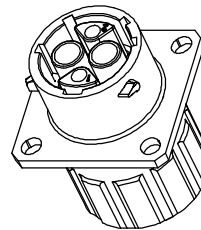
4. ALL DIMENSIONS ARE FOR REFERENCE USE ONLY.

5. CONTACT SIZE AND REAR SEAL WIRE RANGE :

| CONTACT SIZE | MIN. INSUL O.D. | MAX. INSUL O.D. | WIRE RANGE |
|--------------|-----------------|-----------------|------------|
| 2.5mm | Ø3.3mm | Ø4.3mm | 14 - 12AWG |
| 20# | Ø1.6mm | Ø2.6mm | 30 - 20AWG |



PANEL CUT OUT REFERENCE



| KEY POS | PART NUMBER | | A | B | C | D |
|---------|---------------|----------------|------|------|------|------|
| | -40°C ~ 105°C | -40°C ~ 125°C | | | | |
| N | RT00122SNHEC | RT00122SNHEC03 | 105° | 140° | 215° | 265° |
| W | RT00122SWHEC | RT00122SWHEC03 | 60° | 140° | 215° | 265° |
| X | RT00122SXHEC | RT00122SXHEC03 | 105° | 155° | 215° | 265° |
| Y | RT00122SYHEC | RT00122SYHEC03 | 105° | 140° | 225° | 265° |
| Z | RT00122SZHEC | RT00122SZHEC03 | 105° | 140° | 215° | 295° |

| QUANTITY | SEE PART NUMBER CHART | DESCRIPTION | ITEM |
|---------------------------------------|-----------------------|--|------------------|
| | | | |
| MATERIALS LIST | | | |
| UNLESS OTHERWISE SPECIFIED | | SIGNATURES | DATE |
| 1) All dimensions are in metric (mm). | | DRAWN: Ronald | Nov-27-20 |
| 2) Tolerances are as follows: | | CHECKED: Ronald | Nov-28-20 |
| 1 PL DEC ±0.30 | | ENGINEER: | |
| 2 PL DEC ±0.15 | | APPROVAL: Tommy | Nov-28-20 |
| 3 PL DEC ±0.08 | | CUSTOMER: | |
| 3) Note reference = | | THIS DRAWING IS SUPPLIED FOR INFORMATION ONLY. DESIGN FEATURES, SPECIFICATIONS AND PERFORMANCE DATA SHOWN HEREON ARE THE PROPERTY OF THE AMPHENOL CORPORATION. NO RIGHTS OF REPRODUCTION ARE IMPLIED. ALL DIMENSIONS ARE SUBJECT TO NORMAL MANUFACTURING VARIATIONS. | |
| MATERIAL SPECIFICATIONS: | | Sine Systems - www.amphenol-sine.com 44724 Morley Drive Clinton Township, MI 48036 | |
| PROCESS SPECIFICATIONS: | | | |
| NEXT ASSY: | | SIZE TYPE DWG NO: RT00122S*HEC REVISION B2 | |
| | | SCALE: NONE | SHEET 1 OF 1 |

TITLE: ECOMATE RM,RECEPTACLE, SIZE 12,2POS, SOCKET, END CAP

DWG NO:

RT00122S*HEC

REV: B2

SH: 1

OF: 1