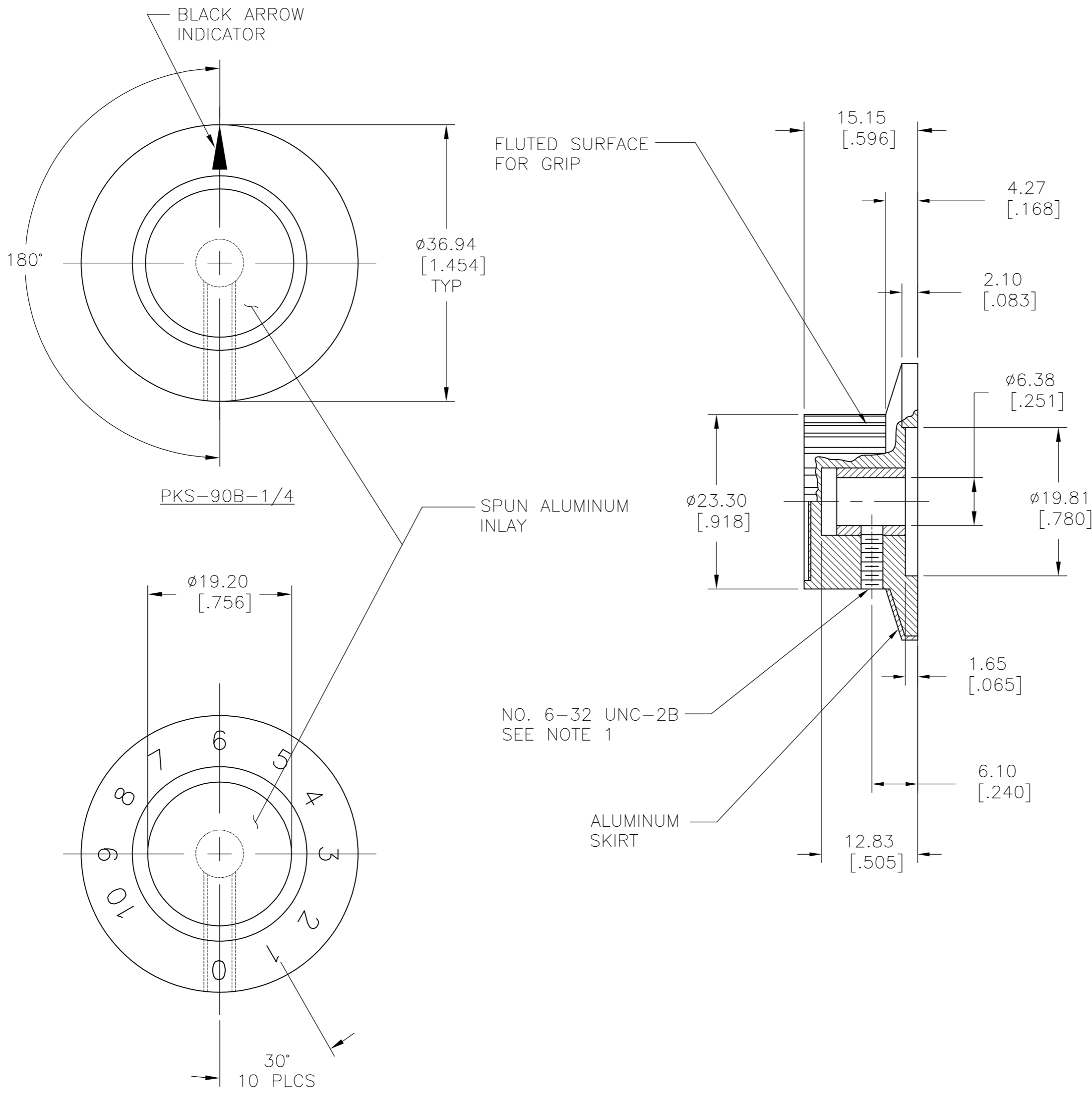


THIS DRAWING IS UNPUBLISHED. RELEASED FOR PUBLICATION  
 © COPYRIGHT BY TYCO ELECTRONICS CORPORATION. ALL INTERNATIONAL RIGHTS RESERVED.

LOC		DIST		REVISIONS			
P	LTR	DESCRIPTION	DATE	DWN	APVD		
A		REDRAWN PER ECO-08-027936	19NOV08	HMR	MW		

1 SUPPLIED WITH ONE STEEL HEX SOCKET SET SCREW  
 CUP POINT NO. 6-32 UNC-2A, .312/[7.93] LONG.



TOLERANCES UNLESS NOTED			
0.50-4.00 [.020-.157]	$\pm 0.03$ [.001]	SHAFT HOLE	$+0.07$ [.003]
4.01-16.00 [.158-.630]	$\pm 0.10$ [.004]	$\phi 6.38$ [.251]	$-0.00$ [.000]
mm [INCH]	16.03-64.00 [.631-2.520]	$\pm 0.38$ [.015]	ANGULAR $\pm 2^\circ$ NON-ACCUMULATIVE

0~10	1437625-6
BLACK ARROW	1437625-5
DESCRIPTION	PART NUMBER

THIS DRAWING IS A CONTROLLED DOCUMENT.		DWN RAGHAVENDRA 19NOV08	Tyco Electronics Corporation Harrisburg, PA 17105-3608	
DIMENSIONS: mm [INCHES]		CHK WILBOURN M 19NOV08	NAME PLASTIC KNOB (PKS 90B SERIES)	
TOLERANCES UNLESS OTHERWISE SPECIFIED:		APVD WILBOURN M 19NOV08	SIZE A2	CAGE CODE 00779
0 PLC $\pm$ -		PRODUCT SPEC -	DRAWING NO C=1437625-5	RESTRICTED TO -
1 PLC $\pm$ -		APPLICATION SPEC -	SCALE 2:1	SHEET 1 of 1
2 PLC $\pm$ -		WEIGHT -	REV A	
3 PLC $\pm$ -		CUSTOMER DRAWING		
4 PLC $\pm$ -				
ANGLES $\pm$ -				
FINISH -				