

ON Semiconductor

Is Now

The logo for onsemi, featuring the word "onsemi" in a dark teal, lowercase, sans-serif font. The letter "i" is stylized with a white dot and a teal vertical bar. A small orange triangle is positioned above the top right of the "i". A trademark symbol (TM) is located to the right of the logo.

To learn more about onsemi™, please visit our website at
www.onsemi.com

onsemi and **onsemi** and other names, marks, and brands are registered and/or common law trademarks of Semiconductor Components Industries, LLC dba "**onsemi**" or its affiliates and/or subsidiaries in the United States and/or other countries. **onsemi** owns the rights to a number of patents, trademarks, copyrights, trade secrets, and other intellectual property. A listing of **onsemi** product/patent coverage may be accessed at www.onsemi.com/site/pdf/Patent-Marking.pdf. **onsemi** reserves the right to make changes at any time to any products or information herein, without notice. The information herein is provided "as-is" and **onsemi** makes no warranty, representation or guarantee regarding the accuracy of the information, product features, availability, functionality, or suitability of its products for any particular purpose, nor does **onsemi** assume any liability arising out of the application or use of any product or circuit, and specifically disclaims any and all liability, including without limitation special, consequential or incidental damages. Buyer is responsible for its products and applications using **onsemi** products, including compliance with all laws, regulations and safety requirements or standards, regardless of any support or applications information provided by **onsemi**. "Typical" parameters which may be provided in **onsemi** data sheets and/or specifications can and do vary in different applications and actual performance may vary over time. All operating parameters, including "Typicals" must be validated for each customer application by customer's technical experts. **onsemi** does not convey any license under any of its intellectual property rights nor the rights of others. **onsemi** products are not designed, intended, or authorized for use as a critical component in life support systems or any FDA Class 3 medical devices or medical devices with a same or similar classification in a foreign jurisdiction or any devices intended for implantation in the human body. Should Buyer purchase or use **onsemi** products for any such unintended or unauthorized application, Buyer shall indemnify and hold **onsemi** and its officers, employees, subsidiaries, affiliates, and distributors harmless against all claims, costs, damages, and expenses, and reasonable attorney fees arising out of, directly or indirectly, any claim of personal injury or death associated with such unintended or unauthorized use, even if such claim alleges that **onsemi** was negligent regarding the design or manufacture of the part. **onsemi** is an Equal Opportunity/Affirmative Action Employer. This literature is subject to all applicable copyright laws and is not for resale in any manner. Other names and brands may be claimed as the property of others.

MMDFS6N303

Power MOSFET 6 Amps, 30 Volts

N-Channel SO-8, FETKY™

The FETKY product family incorporates low $R_{DS(on)}$, true logic level MOSFETs packaged with industry leading, low forward drop, low leakage Schottky Barrier rectifiers to offer high efficiency components in a space saving configuration. Independent pinouts for MOSFET and Schottky die allow the flexibility to use a single component for switching and rectification functions in a wide variety of applications such as Buck Converter, Buck-Boost, Synchronous Rectification, Low Voltage Motor Control, and Load Management in Battery Packs, Chargers, Cell Phones and other Portable Products.

Features

- Power MOSFET with Low V_F
- Lower Component Placement and Inventory Costs along with Board Space Savings
- Logic Level Gate Drive — Can be Driven by Logic ICs
- Mounting Information for SO-8 Package Provided
- Applications Information Provided
- R2 Suffix for Tape and Reel (2500 units/13" reel)
- Marking: 6N303

MOSFET MAXIMUM RATINGS

($T_J = 25^\circ\text{C}$ unless otherwise noted) (Note 1)

Rating	Symbol	Value	Unit
Drain-to-Source Voltage	V_{DSS}	30	Vdc
Drain-to-Gate Voltage ($R_{GS} = 1.0\text{ M}\Omega$)	V_{DGR}	30	Vdc
Gate-to-Source Voltage — Continuous	V_{GS}	± 20	Vdc
Drain Current (Note 2)			
- Continuous @ $T_A = 25^\circ\text{C}$	I_D	6.0	Adc
- Single Pulse ($t_p \leq 10\ \mu\text{s}$)	I_{DM}	30	Apk
Total Power Dissipation @ $T_A = 25^\circ\text{C}$ (Note 2)	P_D	2.0	Watts
Single Pulse Drain-to-Source Avalanche Energy — Startin $T_J = 25^\circ\text{C}$ $V_{DD} = 30\text{ Vdc}$, $V_{GS} = 5.0\text{ Vdc}$, $V_{DS} = 20$ V_{dc} , $I_L = 9.0\text{ Apk}$, $L = 10\text{ mH}$, $R_G = 25\ \Omega$	E_{AS}	325	mJ

1. Pulse Test: Pulse Width $\leq 250\ \mu\text{s}$, Duty Cycle $\leq 2.0\%$.
2. Mounted on 2" square FR4 board (1" sq. 2 oz. Cu 0.06" thick single sided), 10 sec. max.

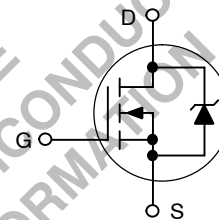


ON Semiconductor®

<http://onsemi.com>

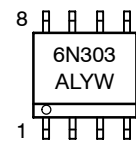
6 AMPERES
30 VOLTS
 $R_{DS(on)} = 35\text{ m}\Omega$
 $V_F = 0.42\text{ Volts}$

N-Channel



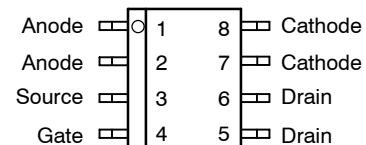
8 
1
SO-8
CASE 751
STYLE 18

MARKING DIAGRAM



A = Assembly Location
L = Wafer Lot
Y = Year
W = Work Week

PIN ASSIGNMENT



Top View

ORDERING INFORMATION

Device	Package	Shipping†
MMDFS6N303R2	SO-8	2500/Tape & Reel

†For information on tape and reel specifications, including part orientation and tape sizes, please refer to our Tape and Reel Packaging Specification Brochure, BRD8011/D.

MMDFS6N303

SCHOTTKY RECTIFIER MAXIMUM RATINGS ($T_J = 25^\circ\text{C}$ unless otherwise noted)

Peak Repetitive Reverse Voltage DC Blocking Voltage	V_{RRM} V_R	30	Volts
Average Forward Current (Note 3) (Rated V_R) $T_A = 104^\circ\text{C}$	I_O	2.0	Amps
Peak Repetitive Forward Current (Note 3) (Rated V_R , Square Wave, 20 kHz) $T_A = 108^\circ\text{C}$	I_{frm}	4.0	Amps
Non-Repetitive Peak Surge Current (Surge applied at rated load conditions, halfwave, single phase, 60 Hz)	I_{fsm}	30	Amps

THERMAL CHARACTERISTICS — SCHOTTKY AND MOSFET

Thermal Resistance — Junction-to-Ambient (Note 4) — MOSFET	$R_{\theta JA}$	167	$^\circ\text{C/W}$
Thermal Resistance — Junction-to-Ambient (Note 5) — MOSFET	$R_{\theta JA}$	97	
Thermal Resistance — Junction-to-Ambient (Note 2) — MOSFET	$R_{\theta JA}$	62.5	
Thermal Resistance — Junction-to-Ambient (Note 4) — Schottky	$R_{\theta JA}$	197	
Thermal Resistance — Junction-to-Ambient (Note 5) — Schottky	$R_{\theta JA}$	97	
Thermal Resistance — Junction-to-Ambient (Note 3) — Schottky	$R_{\theta JA}$	62.5	
Operating and Storage Temperature Range	T_j, T_{stg}	-55 to 150	

MOSFET ELECTRICAL CHARACTERISTICS ($T_C = 25^\circ\text{C}$ unless otherwise noted) (Note 6)

Characteristic	Symbol	Min	Typ	Max	Unit
----------------	--------	-----	-----	-----	------

OFF CHARACTERISTICS

Drain-Source Voltage ($V_{GS} = 0$ Vdc, $I_D = 0.25$ mA) Temperature Coefficient (Positive)	$V_{(BR)DSS}$	30	—	—	Vdc mV/ $^\circ\text{C}$
Zero Gate Drain Current ($V_{DS} = 24$ Vdc, $V_{GS} = 0$ Vdc) ($V_{DS} = 24$ Vdc, $V_{GS} = 0$ Vdc, $T_J = 125^\circ\text{C}$)	I_{DSS}	—	—	1.0 20	μAdc
Gate Body Leakage Current ($V_{GS} = \pm 20$ Vdc, $V_{DS} = 0$)	I_{GSS}	—	—	100	nAdc

ON CHARACTERISTICS (Note 6)

Gate Threshold Voltage ($V_{DS} = V_{GS}$, $I_D = 0.25$ mA) Temperature Coefficient (Negative)	$V_{GS(th)}$	1.0	—	—	Vdc
Static Drain-Source Resistance ($V_{GS} = 10$ Vdc, $I_D = 5.0$ Adc) ($V_{GS} = 4.5$ Vdc, $I_D = 3.9$ Adc)	$R_{DS(on)}$	—	28 42	35 50	$\text{m}\Omega$
Forward Transconductance ($V_{DS} = 15$ Vdc, $I_D = 5.0$ Adc)	g_{FS}	—	9.0	—	mhos

DYNAMIC CHARACTERISTICS

Input Capacitance	$(V_{DS} = 24$ Vdc, $V_{GS} = 0$ Vdc, $f = 1.0$ MHz)	C_{iss}	—	430	600	pF
Output Capacitance		C_{oss}	—	217	300	
Reverse Transfer Capacitance		C_{rss}	—	67.5	135	

- Mounted on 2" square FR4 board (1" sq. 2 oz. Cu 0.06" thick single sided), 10 sec. max.
- Mounted with minimum recommended pad size, PC Board FR4.
- Mounted on 2" square FR4 board (1" sq. 2 oz. Cu 0.06" thick single sided), Steady State.
- Pulse Test: Pulse Width ≤ 300 μs , Duty Cycle $\leq 2.0\%$.

MMDFS6N303

MOSFET ELECTRICAL CHARACTERISTICS – continued ($T_C = 25^\circ\text{C}$ unless otherwise noted) (Note 7)

Characteristic	Symbol	Min	Typ	Max	Unit
----------------	--------	-----	-----	-----	------

SWITCHING CHARACTERISTICS (Note 8)

Turn-On Delay Time	$(V_{DD} = 15\text{ Vdc}, I_D = 1.0\text{ Adc}, V_{GS} = 10\text{ Vdc}, R_G = 6.0\ \Omega)$	$t_{d(on)}$	—	8.2	16.5	ns
Rise Time		t_r	—	8.5	17	
Turn-Off Delay Time		$t_{d(off)}$	—	89.6	179	
Fall Time		t_f	—	61.1	122	
Gate Charge	$(V_{DS} = 15\text{ Vdc}, I_D = 5.0\text{ Adc}, V_{GS} = 10\text{ Vdc})$	Q_T	—	15.7	31.4	nC
		Q_1	—	2.0	—	
		Q_2	—	4.6	—	
		Q_3	—	3.9	—	

DRAIN SOURCE DIODE CHARACTERISTICS

Forward On-Voltage (Note 7)	$(I_S = 1.7\text{ Adc}, V_{GS} = 0\text{ Vdc})$	V_{SD}	—	0.77	1.2	Vdc
Reverse Recovery Time	$(V_{GS} = 0\text{ V}, I_S = 5.0\text{ A}, dI_S/dt = 100\text{ A}/\mu\text{s})$	t_{rr}	—	54.5	—	ns
		t_a	—	14.8	—	
		t_b	—	39.7	—	
Reverse Recovery Stored Charge		Q_{RR}	—	0.048	—	μC

SCHOTTKY RECTIFIER ELECTRICAL CHARACTERISTICS ($T_C = 25^\circ\text{C}$ unless otherwise noted)

Maximum Instantaneous Forward Voltage (Note 7) $I_F = 100\text{ mAdc}$ $I_F = 3.0\text{ Adc}$ $I_F = 6.0\text{ Adc}$	V_F	$T_J = 25^\circ\text{C}$	$T_J = 125^\circ\text{C}$	Volts
		0.28 0.42 0.50	0.13 0.33 0.45	
Maximum Instantaneous Reverse Current (Note 7) $V_R = 30\text{ V}$	I_R	$T_J = 25^\circ\text{C}$	$T_J = 125^\circ\text{C}$	μA
		250	—	
		—	25	mA
Maximum Voltage Rate of Change $V_R = 30\text{ V}$	dV/dt	10,000		$\text{V}/\mu\text{s}$

7. Pulse Test: Pulse Width $\leq 300\ \mu\text{s}$, Duty Cycle $\leq 2.0\%$.

8. Switching characteristics are independent of operating junction temperature.

TYPICAL FET ELECTRICAL CHARACTERISTICS

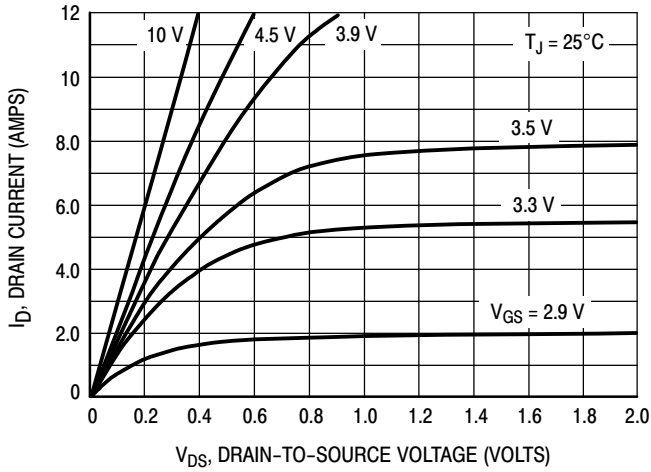


Figure 1. On-Region Characteristics

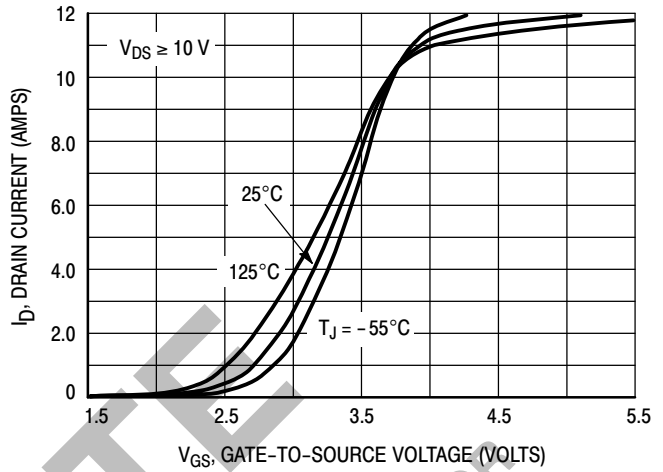


Figure 2. Transfer Characteristics

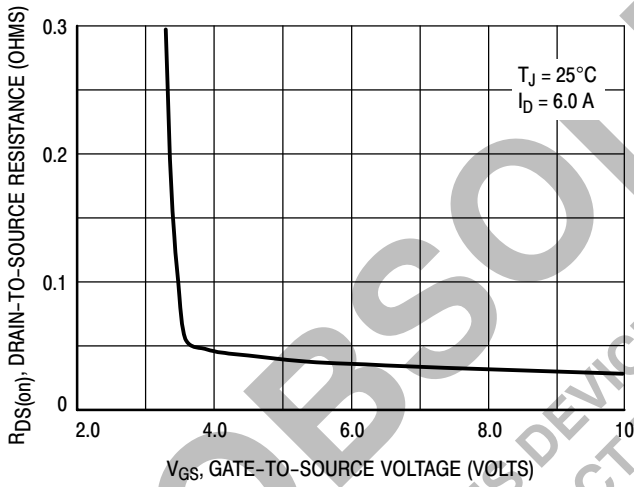


Figure 3. On-Resistance versus Gate-to-Source Voltage

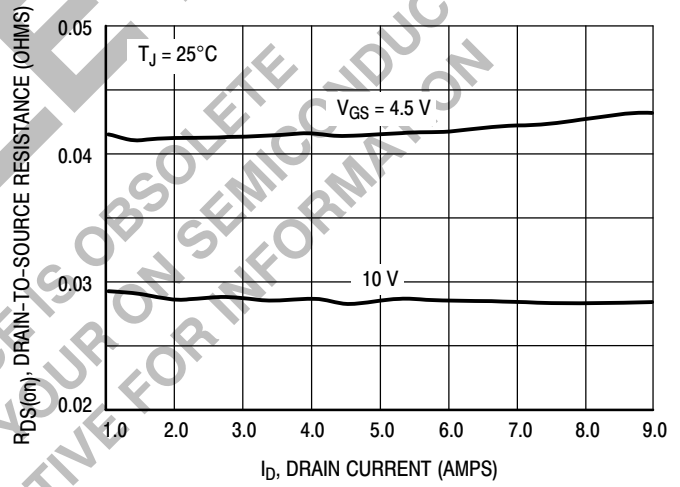


Figure 4. On-Resistance versus Drain Current and Gate Voltage

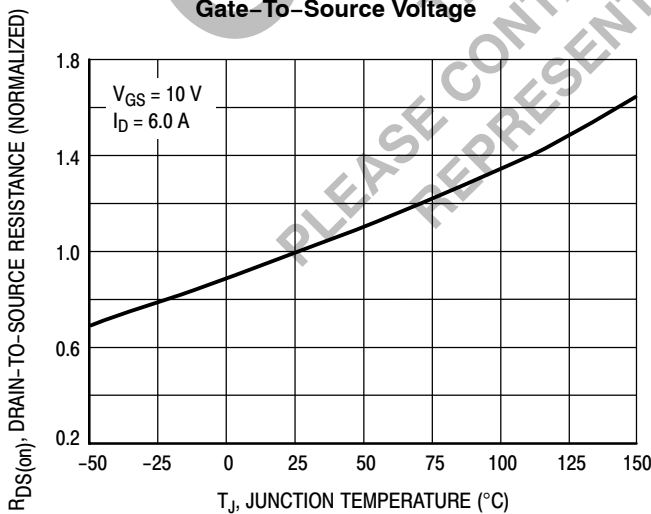


Figure 5. On-Resistance Variation with Temperature

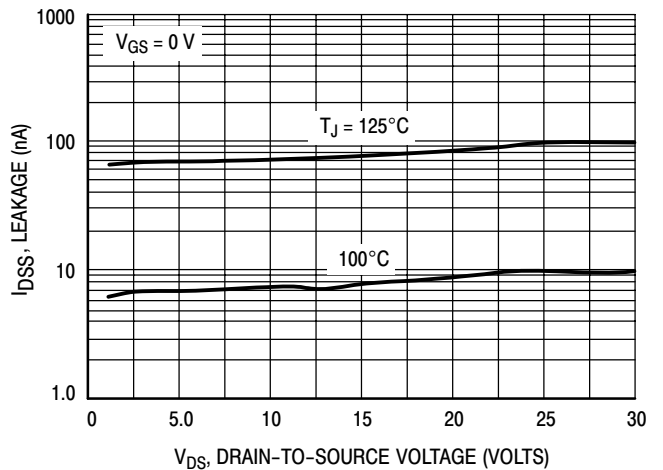


Figure 6. Drain-to-Source Leakage Current versus Voltage

TYPICAL FET ELECTRICAL CHARACTERISTICS

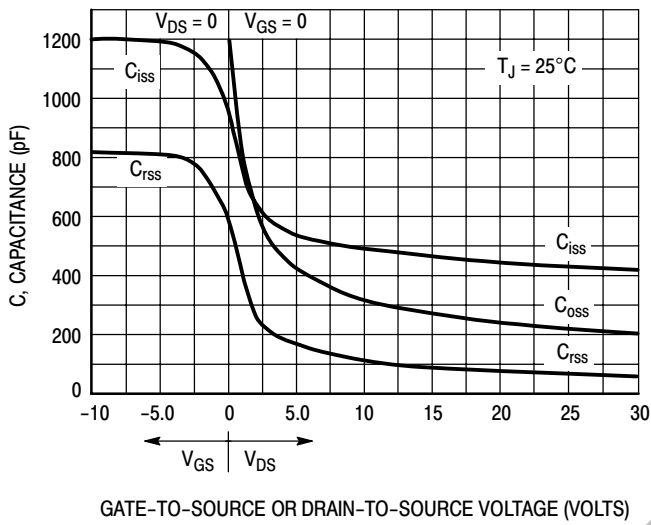


Figure 7. Capacitance Variation

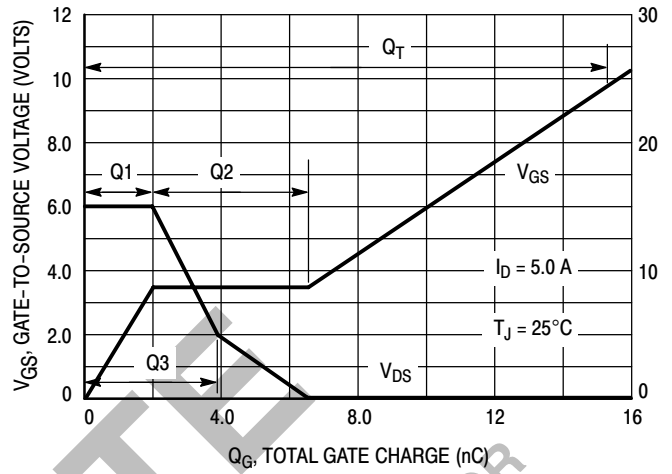


Figure 8. Gate-To-Source and Drain-To-Source Voltage versus Total Charge

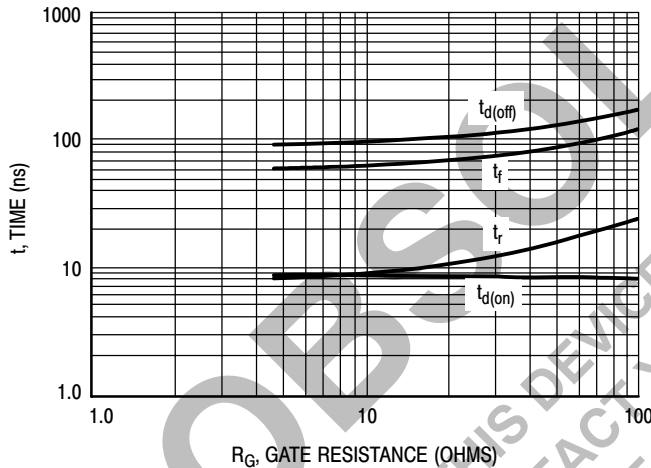


Figure 9. Resistive Switching Time Variation versus Gate Resistance

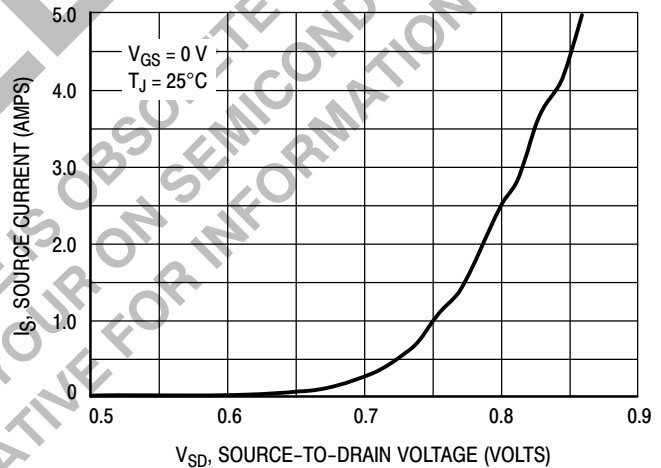


Figure 10. Diode Forward Voltage versus Current

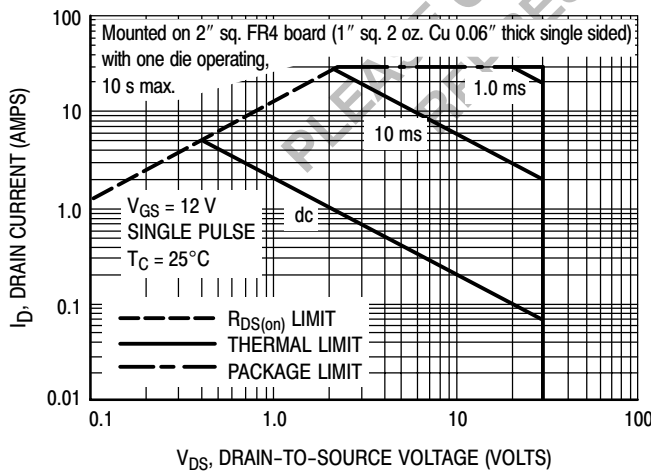


Figure 11. Maximum Rated Forward Biased Safe Operating Area

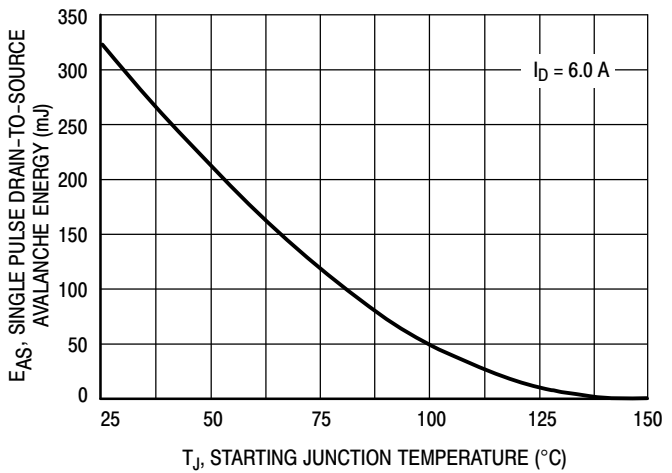


Figure 12. Maximum Avalanche Energy versus Starting Junction Temperature

TYPICAL FET ELECTRICAL CHARACTERISTICS

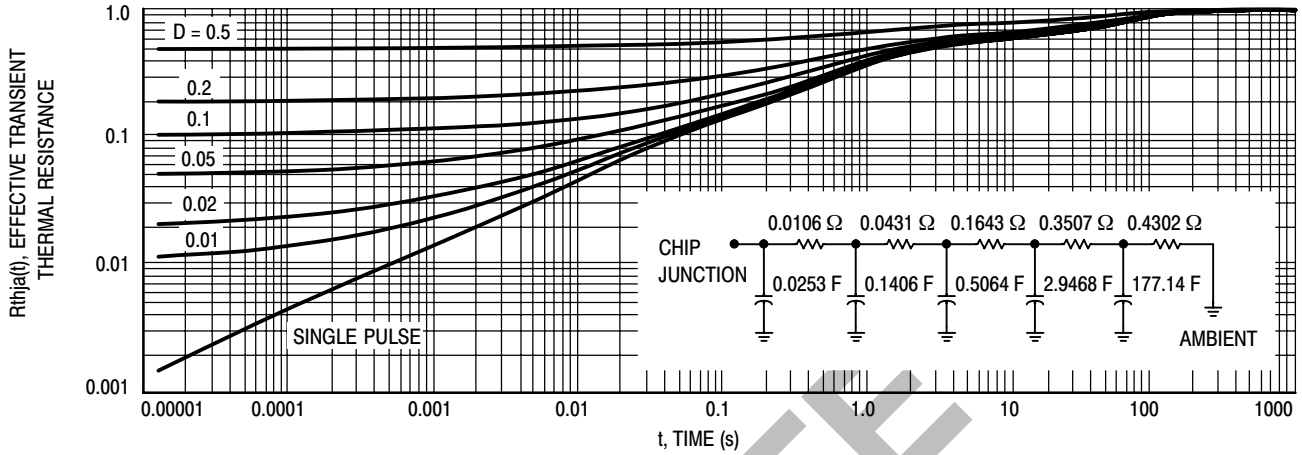


Figure 13. FET Thermal Response

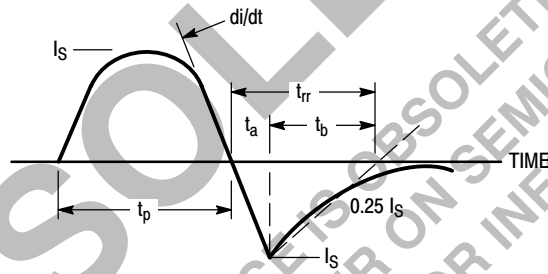


Figure 14. Diode Reverse Recovery Waveform

TYPICAL SCHOTTKY ELECTRICAL CHARACTERISTICS

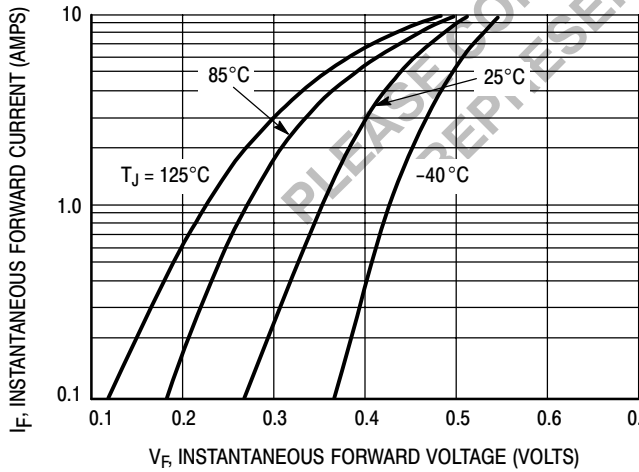


Figure 15. Typical Forward Voltage

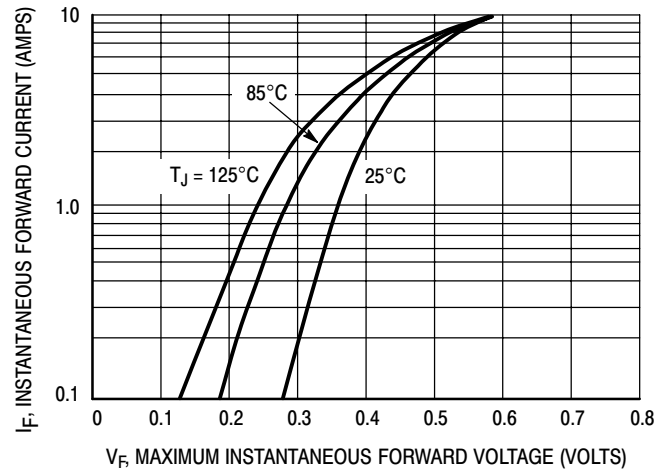


Figure 16. Maximum Forward Voltage

TYPICAL SCHOTTKY ELECTRICAL CHARACTERISTICS

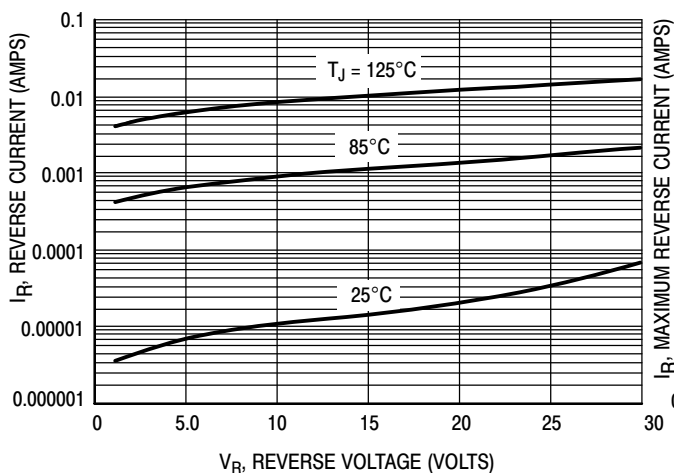


Figure 17. Typical Reverse Current

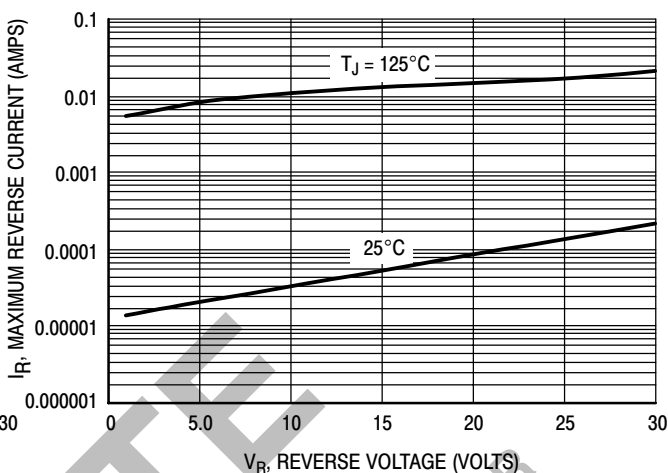


Figure 18. Maximum Reverse Current

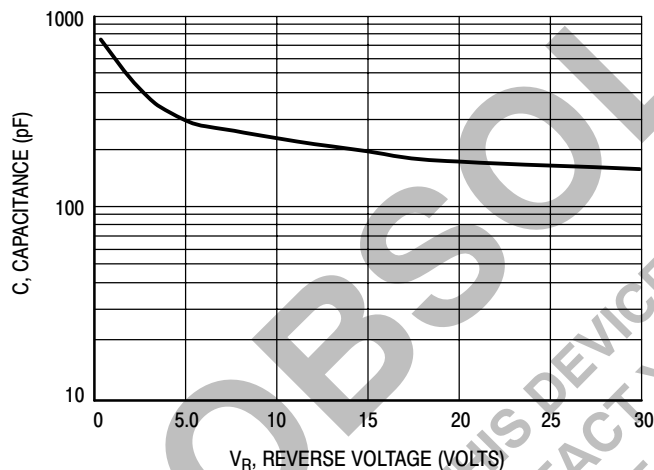


Figure 19. Typical Capacitance

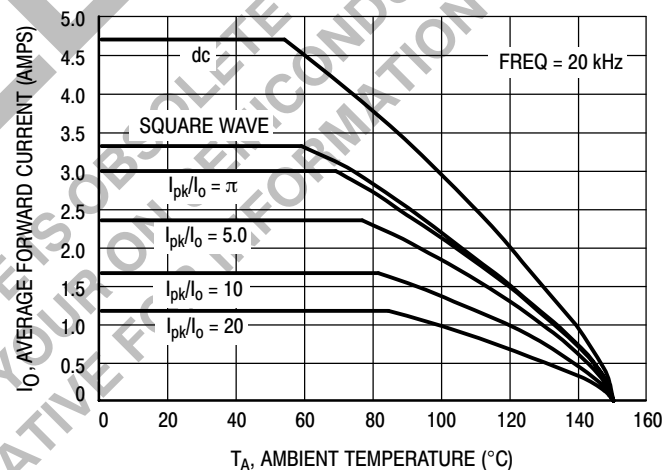


Figure 20. Current Derating

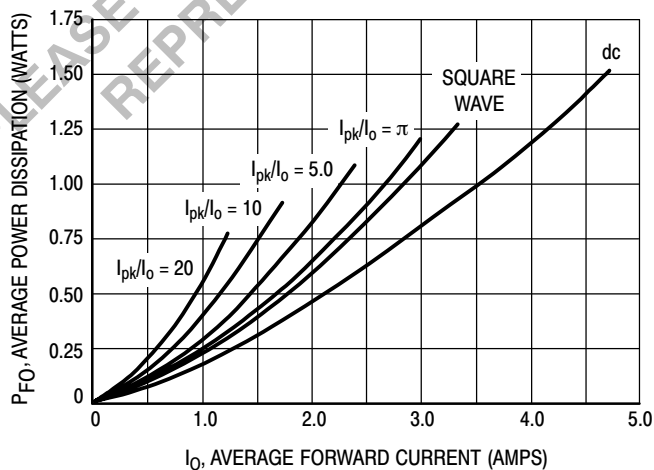


Figure 21. Forward Power Dissipation

TYPICAL SCHOTTKY ELECTRICAL CHARACTERISTICS

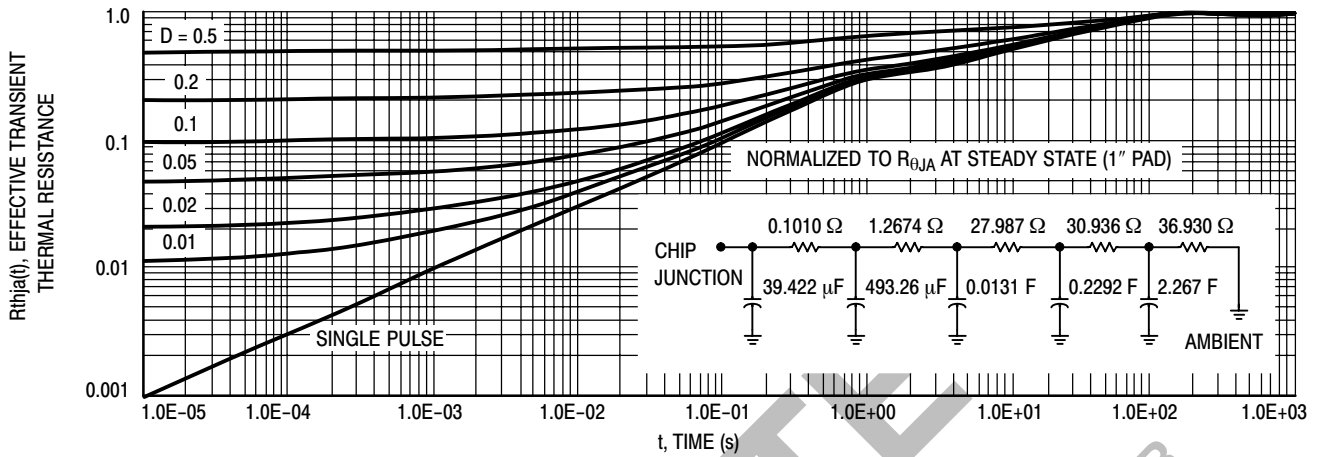
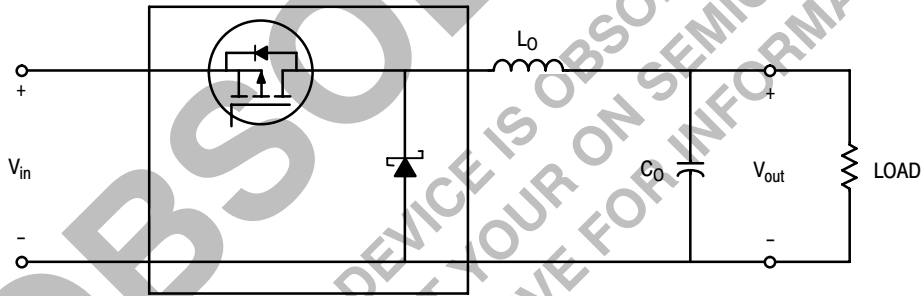


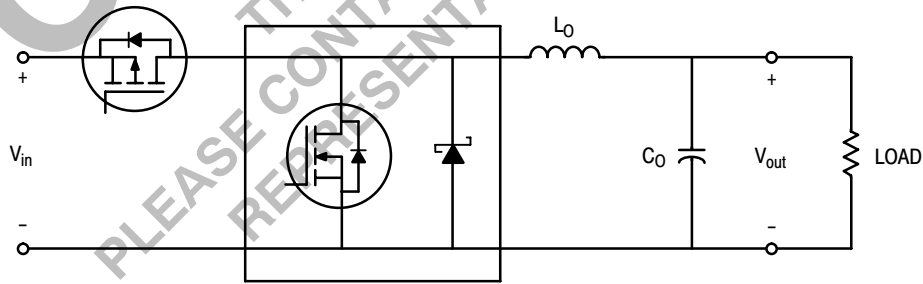
Figure 22. Schottky Thermal Response

TYPICAL APPLICATIONS

STEP DOWN SWITCHING REGULATORS



Buck Regulator

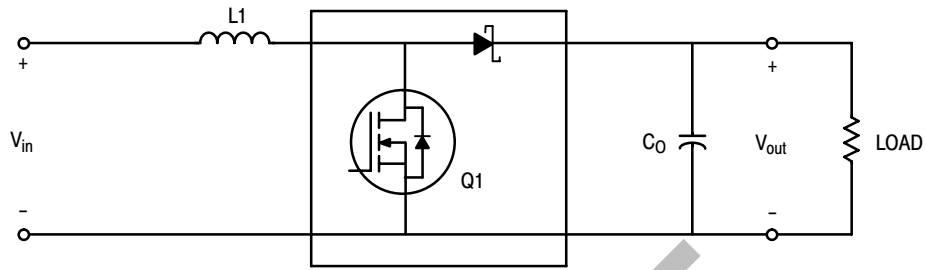


Synchronous Buck Regulator

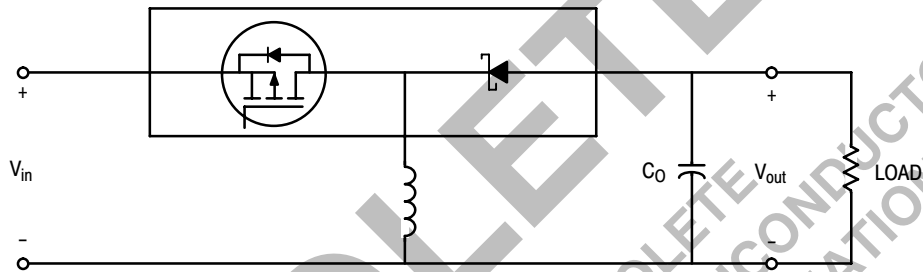
MMDFS6N303

TYPICAL APPLICATIONS

STEP UP SWITCHING REGULATORS

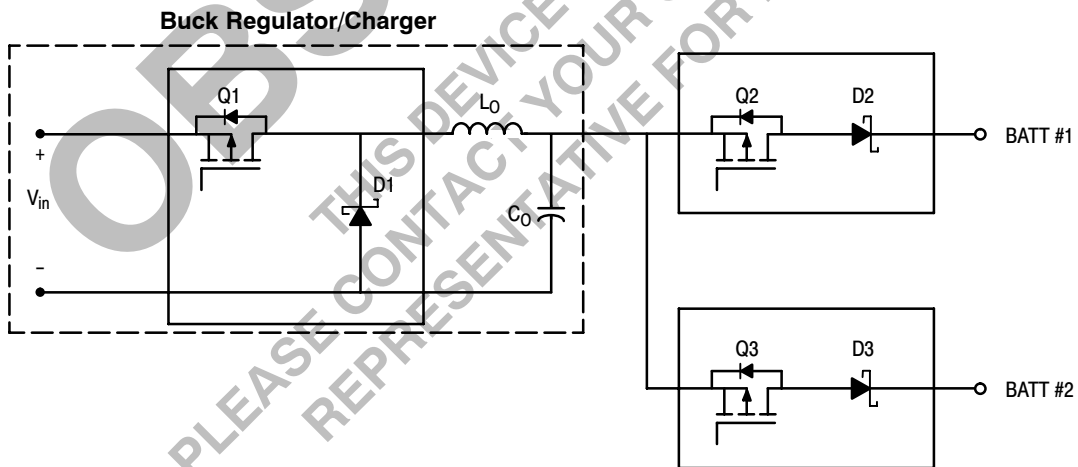


Boost Regulator



Buck-Boost Regulator

MULTIPLE BATTERY CHARGERS

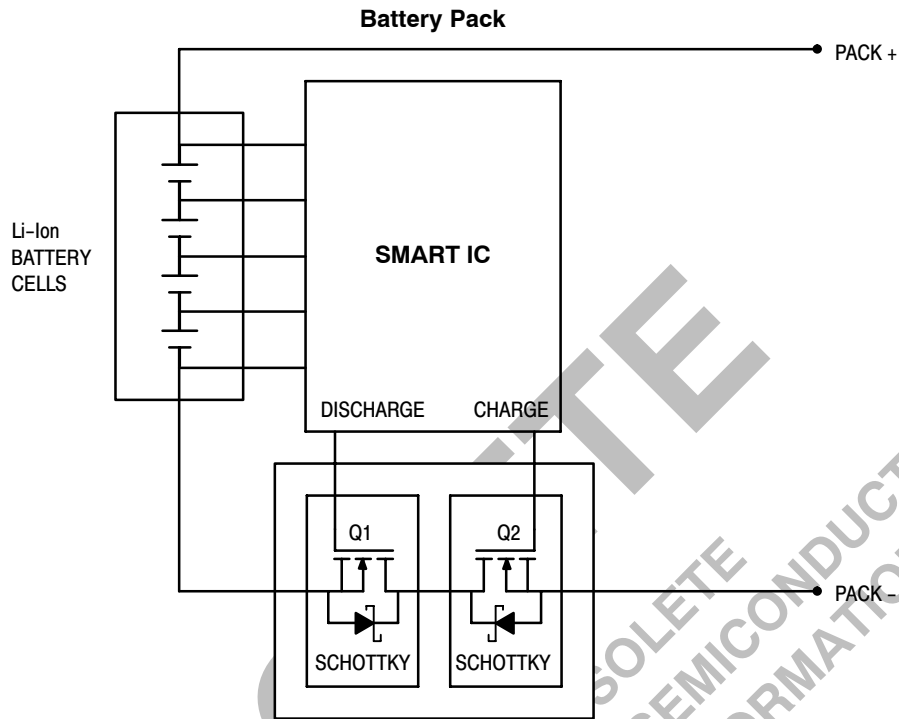


Buck Regulator/Charger

MMDFS6N303

TYPICAL APPLICATIONS

Li-Ion BATTERY PACK APPLICATIONS

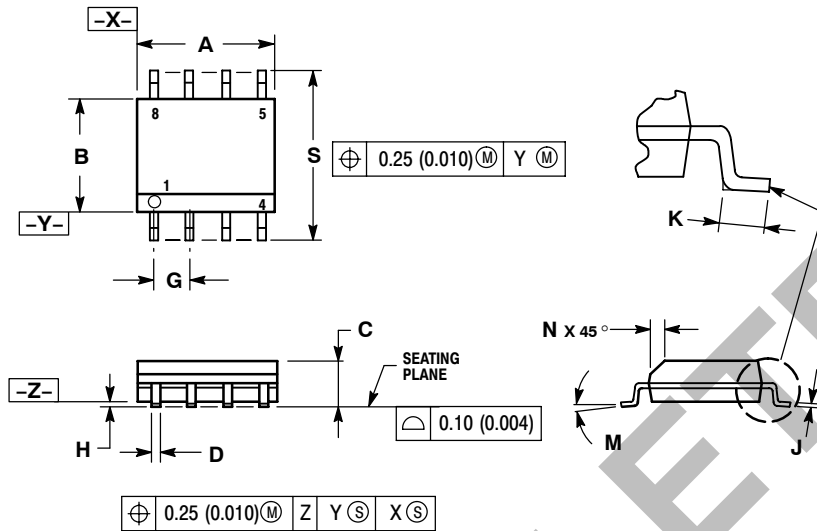


- Applicable in battery packs which require a high current level.
- During charge cycle Q2 is on and Q1 is off. Schottky can reduce power loss during fast charge.
- During discharge Q1 is on and Q2 is off. Again, Schottky can reduce power dissipation.
- Under normal operation, both transistors are on.

MMDFS6N303

PACKAGE DIMENSIONS

SO-8
CASE 751-07
ISSUE AB



NOTES:

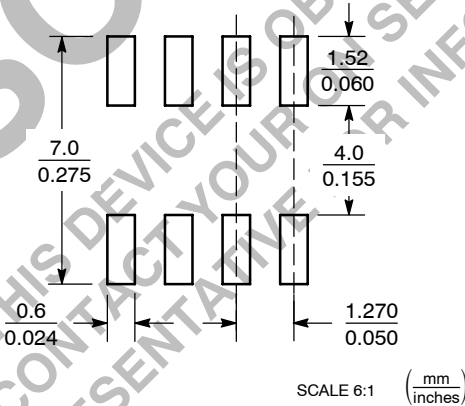
1. DIMENSIONING AND TOLERANCING PER ANSI Y14.5M, 1982.
2. CONTROLLING DIMENSION: MILLIMETER.
3. DIMENSION A AND B DO NOT INCLUDE MOLD PROTRUSION.
4. MAXIMUM MOLD PROTRUSION 0.15 (0.006) PER SIDE.
5. DIMENSION D DOES NOT INCLUDE DAMBAR PROTRUSION. ALLOWABLE DAMBAR PROTRUSION SHALL BE 0.127 (0.005) TOTAL IN EXCESS OF THE D DIMENSION AT MAXIMUM MATERIAL CONDITION.
6. 751-01 THRU 751-06 ARE OBSOLETE. NEW STANDARD IS 751-07.

DIM	MILLIMETERS		INCHES	
	MIN	MAX	MIN	MAX
A	4.80	5.00	0.189	0.197
B	3.80	4.00	0.150	0.157
C	1.35	1.75	0.053	0.069
D	0.33	0.51	0.013	0.020
G	1.27 BSC		0.050 BSC	
H	0.10	0.25	0.004	0.010
J	0.19	0.25	0.007	0.010
K	0.40	1.27	0.016	0.050
M	0°	8°	0°	8°
N	0.25	0.50	0.010	0.020
S	5.80	6.20	0.228	0.244

STYLE 18:

1. ANODE
2. ANODE
3. SOURCE
4. GATE
5. DRAIN
6. DRAIN
7. CATHODE
8. CATHODE

SOLDERING FOOTPRINT*



*For additional information on our Pb-Free strategy and soldering details, please download the ON Semiconductor Soldering and Mounting Techniques Reference Manual, SOLDERRM/D.

FETKY is a trademark of International Rectifier Corporation.

ON Semiconductor and are registered trademarks of Semiconductor Components Industries, LLC (SCILLC). SCILLC reserves the right to make changes without further notice to any products herein. SCILLC makes no warranty, representation or guarantee regarding the suitability of its products for any particular purpose, nor does SCILLC assume any liability arising out of the application or use of any product or circuit, and specifically disclaims any and all liability, including without limitation special, consequential or incidental damages. "Typical" parameters which may be provided in SCILLC data sheets and/or specifications can and do vary in different applications and actual performance may vary over time. All operating parameters, including "Typicals" must be validated for each customer application by customer's technical experts. SCILLC does not convey any license under its patent rights nor the rights of others. SCILLC products are not designed, intended, or authorized for use as components in systems intended for surgical implant into the body, or other applications intended to support or sustain life, or for any other application in which the failure of the SCILLC product could create a situation where personal injury or death may occur. Should Buyer purchase or use SCILLC products for any such unintended or unauthorized application, Buyer shall indemnify and hold SCILLC and its officers, employees, subsidiaries, affiliates, and distributors harmless against all claims, costs, damages, and expenses, and reasonable attorney fees arising out of, directly or indirectly, any claim of personal injury or death associated with such unintended or unauthorized use, even if such claim alleges that SCILLC was negligent regarding the design or manufacture of the part. SCILLC is an Equal Opportunity/Affirmative Action Employer. This literature is subject to all applicable copyright laws and is not for resale in any manner.

PUBLICATION ORDERING INFORMATION

LITERATURE FULFILLMENT:
Literature Distribution Center for ON Semiconductor
P.O. Box 5163, Denver, Colorado 80217 USA
Phone: 303-675-2175 or 800-344-3860 Toll Free USA/Canada
Fax: 303-675-2176 or 800-344-3867 Toll Free USA/Canada
Email: orderlit@onsemi.com

N. American Technical Support: 800-282-9855 Toll Free
USA/Canada

Japan: ON Semiconductor, Japan Customer Focus Center
2-9-1 Kamimeguro, Meguro-ku, Tokyo, Japan 153-0051
Phone: 81-3-5773-3850

ON Semiconductor Website: <http://onsemi.com>

Order Literature: <http://www.onsemi.com/litorder>

For additional information, please contact your local Sales Representative.