

IWR-USB SERIES

WIRELESS TO USB GATEWAY



The IWR-USB Gateway provides a link between wireless sensors and any PC with a USB connection.

A free of charge software package allows monitoring and logging of all the sensors in the wireless network via a standard PC.

The IWR-USB saves the time-stamped data collected in a standard .csv file for easy handling by packages such as Microsoft® Excel®.

Features

- 2.4GHz Wireless to USB Gateway
- Enables easy monitoring of our wireless networks using any PC
- Free of charge monitoring software allows all wireless parameters to be viewed and logged
- Logs data to .csv file



Multiple battery powered sensors transmit data at programmable intervals to a IWR-USB receiver which can then be connected to a standard PC for monitoring and logging the data from the wireless transmitters
Data from up to 128 parameters can be accessed via the IWR-USB receiver

SPECIFICATIONS

Parameter	Min	Typ	Max	Comments
Supply Voltage		5V		Obtains power from USB port
Supply Current (mA)		40		
Operating Ambient	0°C		55°C	
Relative Humidity	0%		90%	
Surge Voltage	2.5kV for 50µS		Transient of 10kV/µS	

Notes: Can be supplied with an external antenna for increased range

Installation Detail

Mounting	Wall mounting
Orientation	Any
Connections	Standard size USB cable
Power Supply	From USB port
Weight	Approx 120g



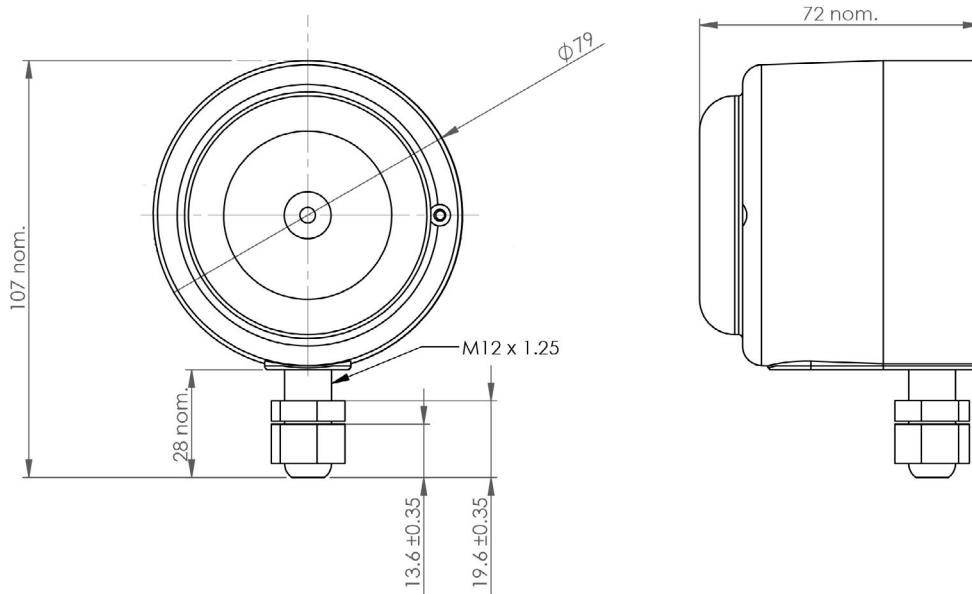
ORDERING OPTIONS

Part Number	Description
IWR-USB	With internal antenna
IWR-USB-ANT	With external female SMA connector & 5dBi antenna



DIMENSIONS

All dimensions are in millimeters.



Made in the UK

Page 2

Sensata Technologies, Inc. ("Sensata") data sheets are solely intended to assist designers ("Buyers") who are developing systems that incorporate Sensata products (also referred to herein as "components"). Buyer understands and agrees that Buyer remains responsible for using its independent analysis, evaluation and judgment in designing Buyer's systems and products. Sensata data sheets have been created using standard laboratory conditions and engineering practices. Sensata has not conducted any testing other than that specifically described in the published documentation for a particular data sheet. Sensata may make corrections, enhancements, improvements and other changes to its data sheets or components without notice.

Buyers are authorized to use Sensata data sheets with the Sensata component(s) identified in each particular data sheet. HOWEVER, NO OTHER LICENSE, EXPRESS OR IMPLIED, BY ESTOPPEL OR OTHERWISE TO ANY OTHER SENSATA INTELLECTUAL PROPERTY RIGHT, AND NO LICENSE TO ANY THIRD PARTY TECHNOLOGY OR INTELLECTUAL PROPERTY RIGHT, IS GRANTED HEREIN. SENSATA DATA SHEETS ARE PROVIDED "AS IS". SENSATA MAKES NO WARRANTIES OR REPRESENTATIONS WITH REGARD TO THE DATA SHEETS OR USE OF THE DATA SHEETS, EXPRESS, IMPLIED OR STATUTORY, INCLUDING ACCURACY OR COMPLETENESS. SENSATA DISCLAIMS ANY WARRANTY OF TITLE AND ANY IMPLIED WARRANTIES OF MERCHANTABILITY, FITNESS FOR A PARTICULAR PURPOSE, QUIET ENJOYMENT, QUIET POSSESSION, AND NON-INFRINGEMENT OF ANY THIRD PARTY INTELLECTUAL PROPERTY RIGHTS WITH REGARD TO SENSATA DATA SHEETS OR USE THEREOF.

All products are sold subject to Sensata's terms and conditions of sale supplied at www.sensata.com SENSATA ASSUMES NO LIABILITY FOR APPLICATIONS ASSISTANCE OR THE DESIGN OF BUYERS' PRODUCTS. BUYER ACKNOWLEDGES AND AGREES THAT IT IS SOLELY RESPONSIBLE FOR COMPLIANCE WITH ALL LEGAL, REGULATORY AND SAFETY-RELATED REQUIREMENTS CONCERNING ITS PRODUCTS, AND ANY USE OF SENSATA COMPONENTS IN ITS APPLICATIONS, NOTWITHSTANDING ANY APPLICATIONS-RELATED INFORMATION OR SUPPORT THAT MAY BE PROVIDED BY SENSATA.

Mailing Address: Sensata Technologies, Inc., 529 Pleasant Street, Attleboro, MA 02703, USA.

CONTACT US

EUROPE
+44 (0)1202 897969
c3w_sales@sensata.com
Cynergy3 Components Ltd.
7 Cobham Road,
Ferndown Industrial Estate,
Wimborne, Dorset,
BH21 7PE, United Kingdom

USA
+1 310 561 8092 / +1 866 258 5057
c3w_sales@sensata.com