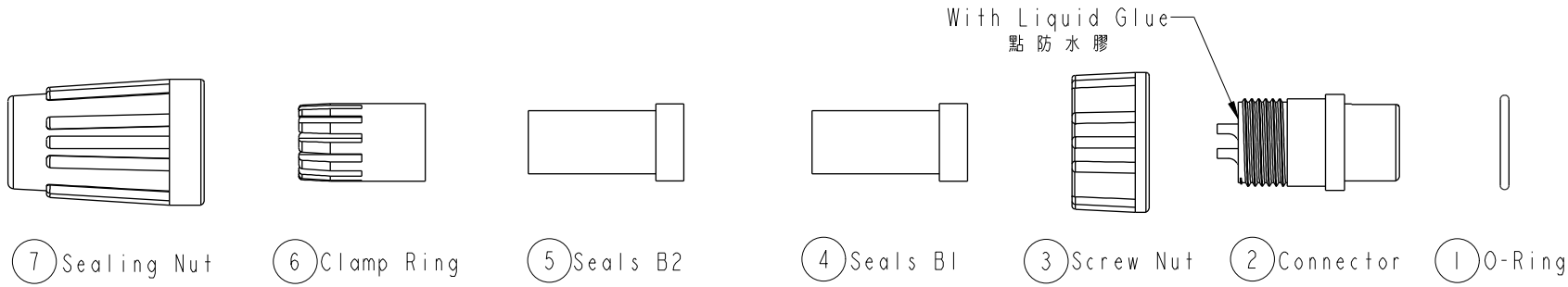


THIS DOCUMENT IS SUBJECT TO CHANGE WITHOUT NOTICE. IT IS CONFIDENTIAL AND A PROPERTY OF Amphenol LTW. DISCLOSURE TO THIRD PARTY HAS TO BE AUTHORIZED BY Amphenol LTW.

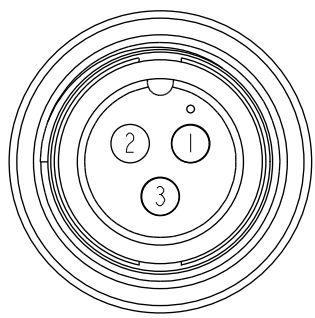
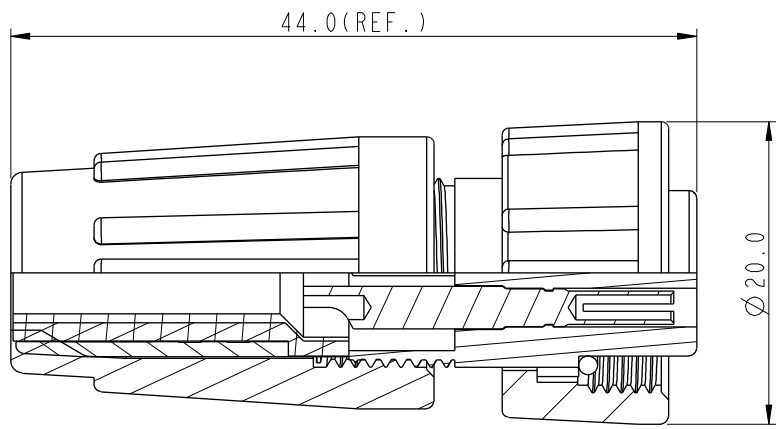
| | | | | |
|------|---------|------|------|-------------|
| REV. | ECN NO. | DATE | SIGN | DESCRIPTION |
| | | | | |



- Note:
- * Seals B1 for Cable OD: $\varnothing 4.5\text{mm} \sim \varnothing 6.5\text{mm}$
(防水墊圈B1線徑: $\varnothing 4.5\text{mm} \sim \varnothing 6.5\text{mm}$)
 - * Seals B2 for Cable OD: $\varnothing 3.5\text{mm} \sim \varnothing 5.3\text{mm}$
(防水墊圈B2線徑: $\varnothing 3.5\text{mm} \sim \varnothing 5.3\text{mm}$)
 - * One Set Unassembled in One PE Bag
(每一組未組裝, 放置於一個PE袋, 並封口)
 - * CC Important Dimension.
 - * Waterproof Rate : IP66
 - * Ring: Black, EPDM
 - * Housing: Black, Nylon+GF
 - * Pin: Copper Alloy, Gold Plated
 - * Screw Nut: Black, Nylon+GF
 - * Seals: Black, EPDM
 - * Clamping Ring: Black, Nylon
 - * Sealing Nut: Black, Nylon
 - * PE Bag: 90mm*85mm
 - * Liquid Glue: Clear

ALTW
 DCC. DEPT.
 CONFIDENTIAL
 2012-03-19
ISSUED

ALTW
 CONFIDENTIAL
 2012-03-07
 R&D DEPT.



Pin Assignments
Front View 前視圖

| | | | | | | | | |
|---|-----------|---|-------------------------------|------------------|--------------------------------------|------------------------------|-----------------------|--------------------|
| UNIT: mm | | TITLE Standard, Assy Screw 3Pin F Conn F Pin | | | Amphenol LTW 安費諾亮泰企業股份有限公司 | ITEM NO. BB-03BFFA-SL6001 | DRAWN BY SamChang | DATE 2012-03-07 |
| | | SCALE 1:1 | SIZE A4 | SHEET 1 OF 1 | | DWG NO. BB-03BFFA-SL6001 | CHECKED BY Jeffrey | DATE 2012-03-19 |
| TOLERANCE .X ±0.25 .XX ±0.1 .XXX ±0.05 ANGLES ±1° | REV. A | WC-REV. A.2 | CC : Inspection item | CUSTOMER ALTW | APPROVED BY Kevin | DATE 2012-03-19 | 8 FMW10702-01-02A1 | |