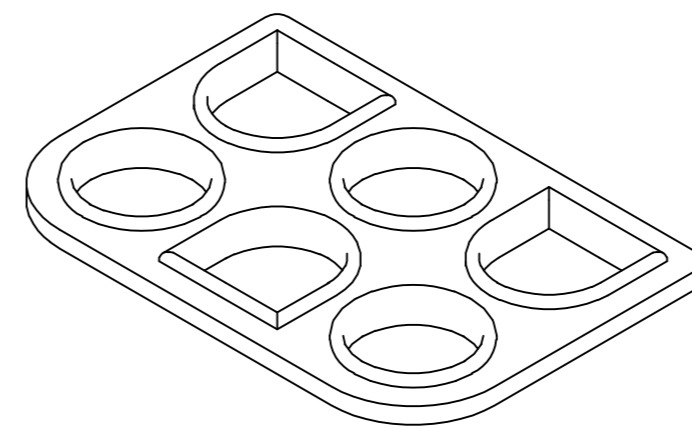
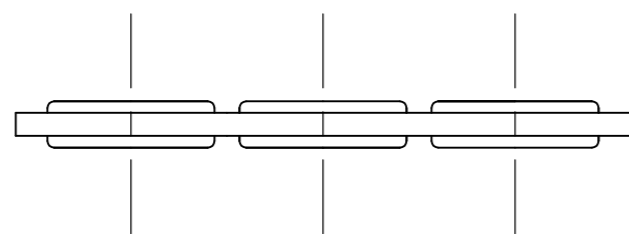
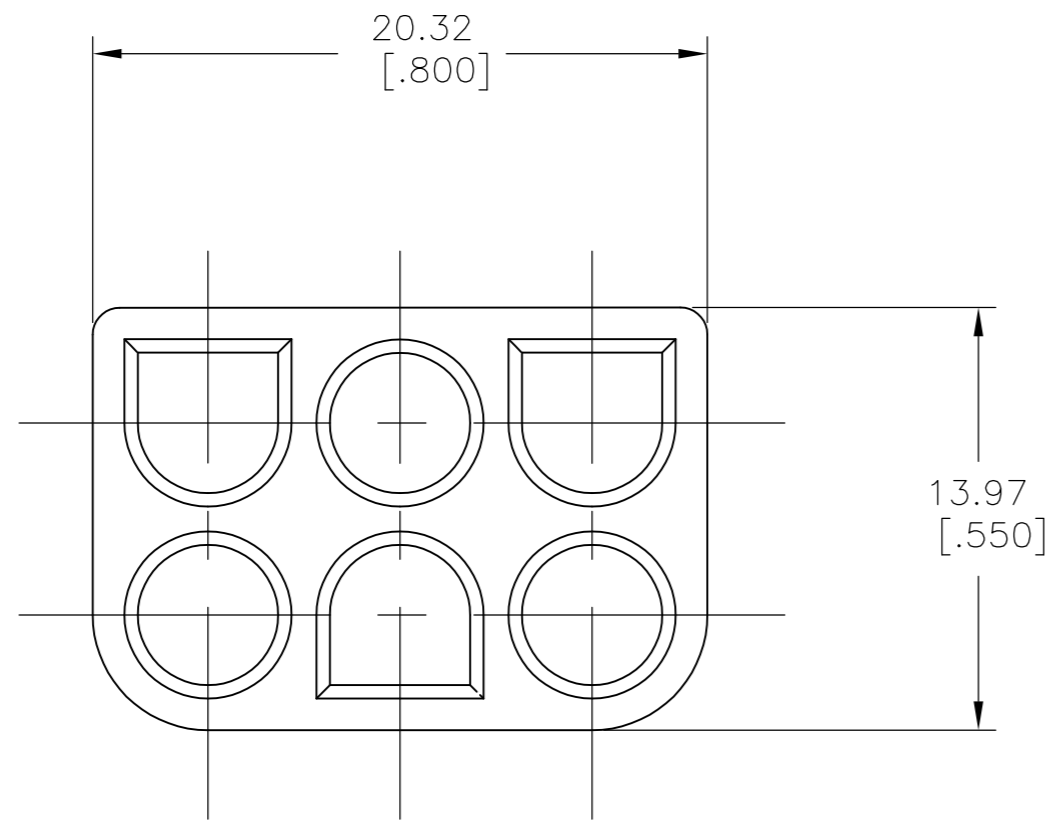


THIS DRAWING IS UNPUBLISHED. RELEASED FOR PUBLICATION  
 © COPYRIGHT - By - ALL RIGHTS RESERVED.

LOC		DIST		REVISIONS			
P	LTR	DESCRIPTION		DATE	DWN	APVD	
CM	53	C		REVISED PER ECR-12-011218	08OCT12	KH	TM

- 1 MATERIAL: SELF LUBRICATING SILICON RUBBER  
COLOR: BLUE
- 2 DIMENSIONS IN BRACKETS ARE IN INCHES.



3-DIMENSIONAL MODEL  
NTS

794275-1  
PART NUMBER

THIS DRAWING IS A CONTROLLED DOCUMENT.		DWN	B. LEWIS	3-25-97		TE Connectivity					
DIMENSIONS: mm [INCHES]		CHK	R. SWING	3-25-97		NAME					
TOLERANCES UNLESS OTHERWISE SPECIFIED:		APVD	D. SELF	3-25-97		INTERFACE SEAL,6 CIRCUIT, UNIVERSAL MATE-N-LOK™					
0 PLC ± - 1 PLC ± - 2 PLC ± 0.38[.015] 3 PLC ± - 4 PLC ± - ANGLES ± 0°30'		PRODUCT SPEC	-			SIZE	CAGE CODE	DRAWING NO			
MATERIAL		FINISH	-		WEIGHT	-		RESTRICTED TO			
		-		A2 00779 C=794275		-					
-		-		CUSTOMER DRAWING		SCALE	4:1	SHEET	1 of 1	REV	C