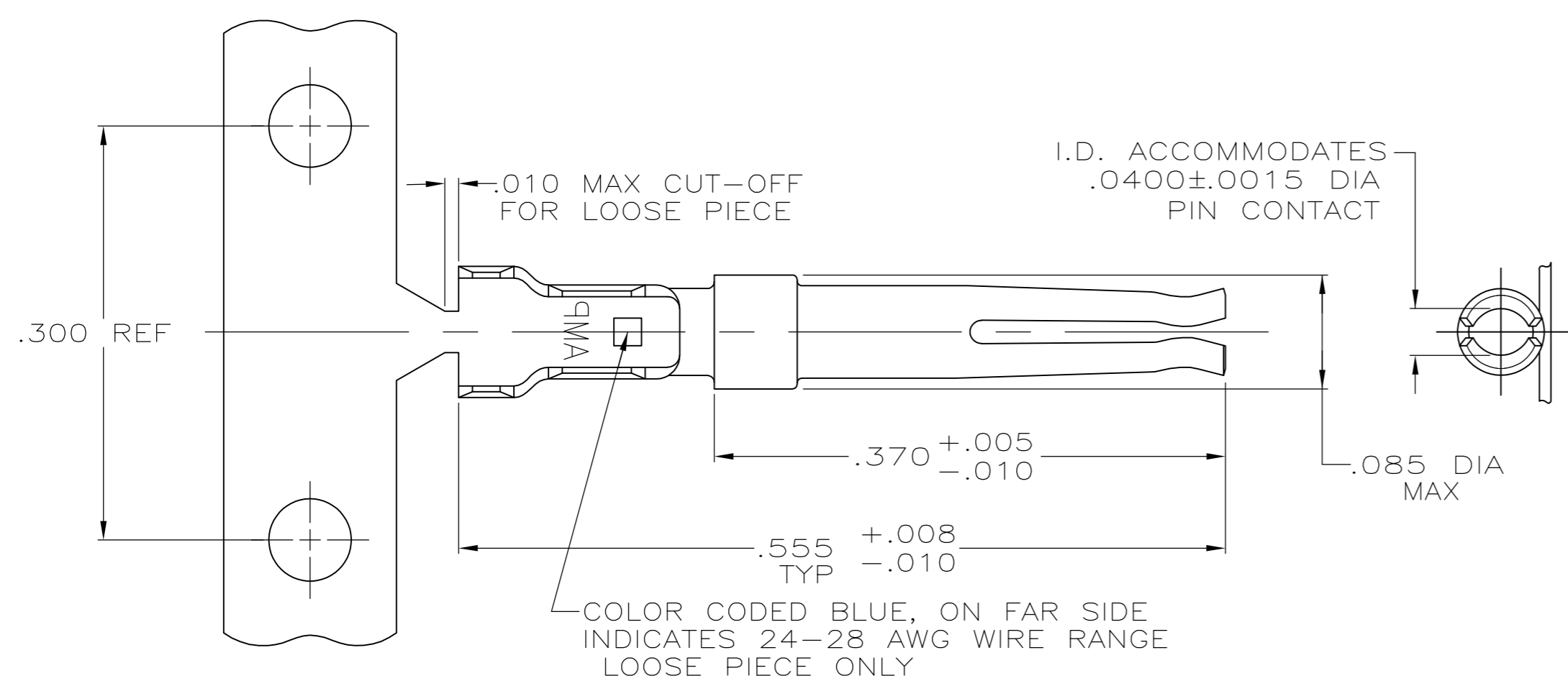
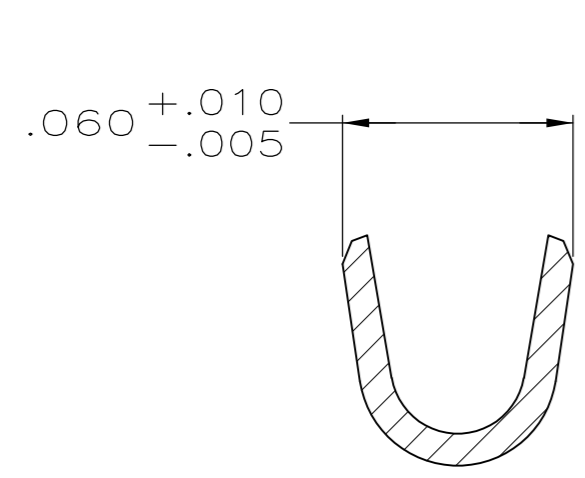
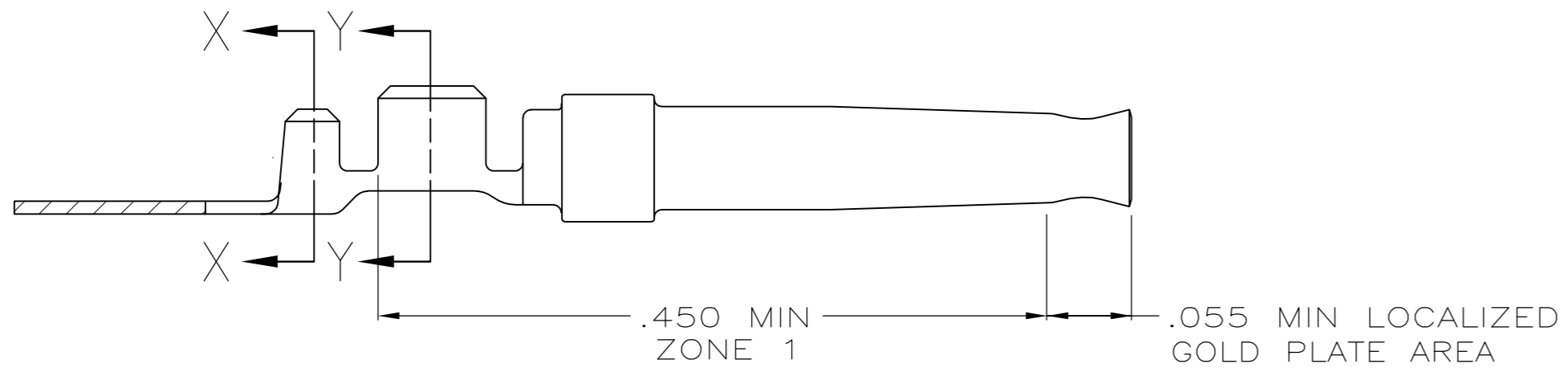


THIS DRAWING IS UNPUBLISHED. RELEASED FOR PUBLICATION
 © COPYRIGHT - By - ALL RIGHTS RESERVED.

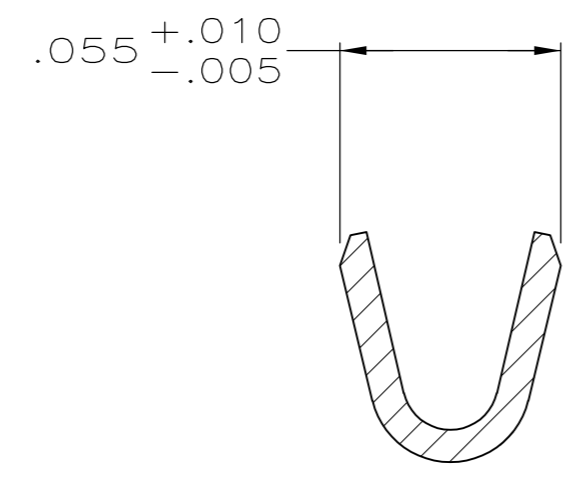
LOC	DIST	REVISIONS					
GP	00	P	LTR	DESCRIPTION	DATE	DWN	APVD
		A		ORIGINAL	03APR2013	CJV	CWR



- 1 FOR MINI-APPLICATOR AND STRIPPER CRIMPER.
- 2 FOR HAND TOOL USE ONLY.
- 3. WIRE RANGE OF 24-28, INSULATION RANGE OF .030-.040.
- 4. GOLD PLATING MAY NOT APPEAR ON CARRIER STRIP. NICKEL UNDERPLATE COVERS ENTIRE CONTACT.
- 5 GOLD PLATING PER MIL-G-45204, NICKEL PLATING PER QQ-N-290.
- 6 PLATED WITH .000050 GOLD ON INSIDE OF LOCALIZED GOLD PLATE AREA, .000050 GOLD ON ZONE 1, ALL OVER .000050 NICKEL UNDERPLATE.
- 7 PLATED WITH .000050 GOLD ON INSIDE OF LOCALIZED GOLD PLATE AREA, GOLD FLASH ON ZONE 1, ALL OVER .000050 NICKEL UNDERPLATE.



SECTION X-X
SCALE 20:1



SECTION Y-Y
SCALE 20:1

STANDARD	7	1	STRIP	2-66505-7
STANDARD	6	2	LOOSE PIECE	66505-8
STANDARD	6	1	STRIP	66505-2
PACKAGING TYPE	FINISH	USE	TYPE	PART NUMBER

THIS DRAWING IS A CONTROLLED DOCUMENT. DIMENSIONING AND TOLERANCING PER ASME Y14.5M-2009		DWN C. VALENTINE 03APR2013		
DIMENSIONS: INCHES		CHK C. ROHDE 03APR2013		
TOLERANCES UNLESS OTHERWISE SPECIFIED:		APVD C. ROHDE 03APR2013	NAME	
0 PLC ± -	1 PLC ± -	PRODUCT SPEC	SOCKET CONTACT, SIZE 20 DF, 24-28 AWG, W/ .030-.040 DIA INSULATION SUPPORT,	
2 PLC ± -	3 PLC ± .005	APPLICATION SPEC	SIZE	CAGE CODE
4 PLC ± -	ANGLES ± -	114-10000	A2	00779
MATERIAL PHOSPHOR BRONZE	FINISH 5 SEE TABLE	WEIGHT -	DRAWING NO C=66505-2	RESTRICTED TO -
CUSTOMER DRAWING			SCALE 10:1	SHEET 1 of 1