

THIS DRAWING IS UNPUBLISHED.

RELEASED FOR PUBLICATION

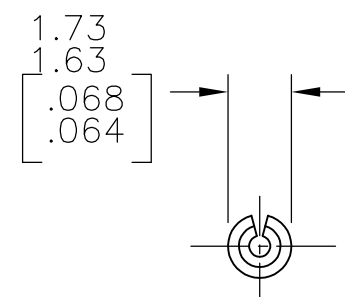
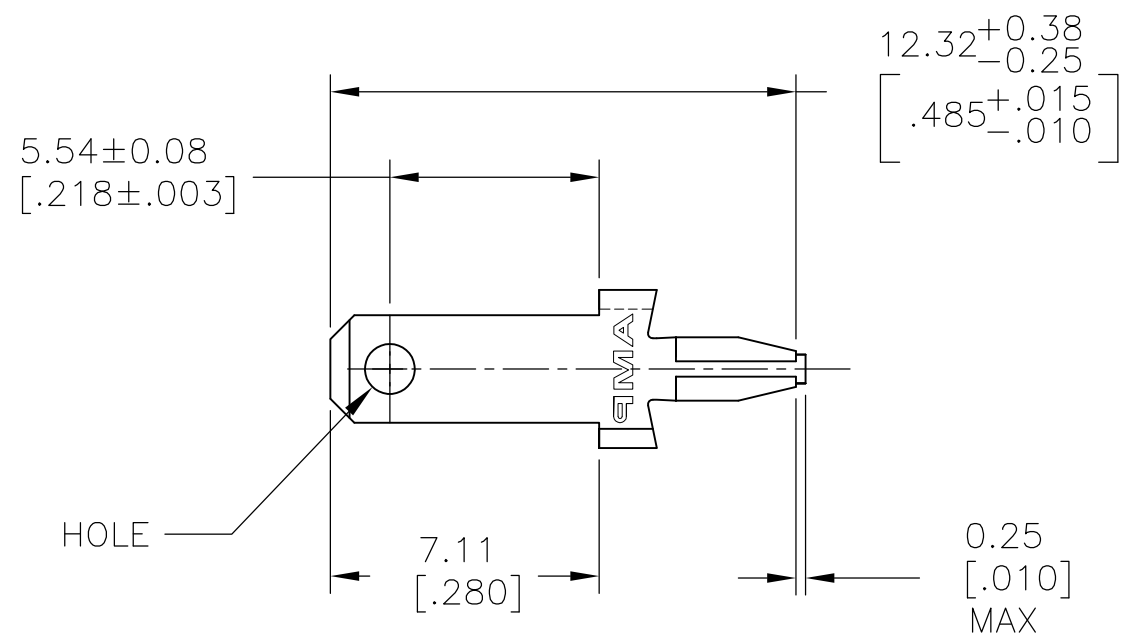
ALL RIGHTS RESERVED.

© COPYRIGHT - By -

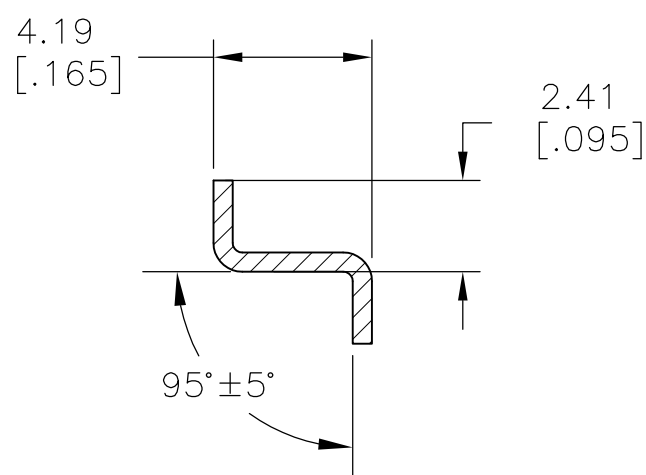
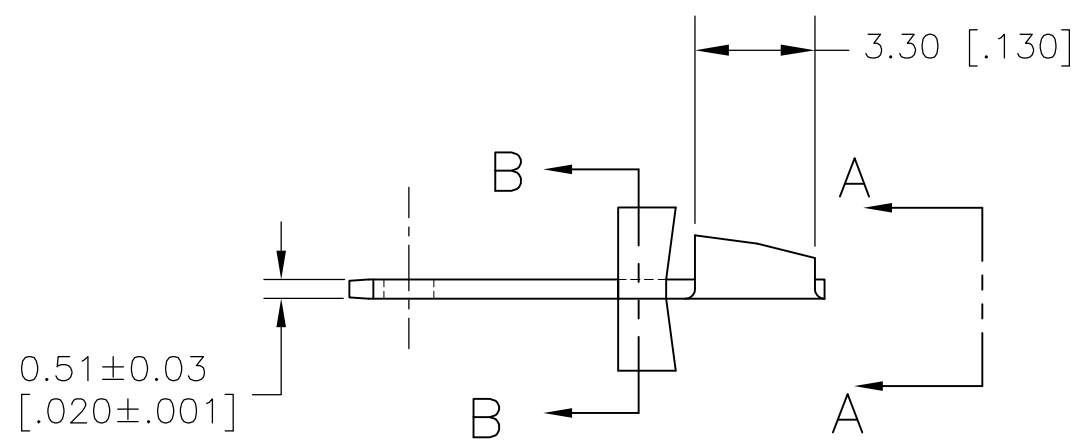
LOC AF DIST 50

REVISIONS

P	LTR	DESCRIPTION	DATE	DWN	APVD
C		REVISED PER ECR-13-001204	01JUL13	KH	PD



VIEW A-A



SECTION B-B

- SUPPLIED IN LOOSE PIECE.
- 0.00381 [.000150] MIN TIN PL OVER 0.00254 [.000100] MIN COPPER PL.
- PARTS TO MEET AMP SOLDERABILITY SPEC 109-11-2, MIDLY ACTIVATED ROSIN.
- PRINTED CIRCUIT BOARD THK IS 0.81/2.36 [.032/.093] THK WITH A HOLE DIA OF 1.70/1.60 [.067/.063].

61968-1	62437-1
STRIP P/N	PART NO.

THIS DRAWING IS A CONTROLLED DOCUMENT.		DWN JR RUTH 22FEB01	TE Connectivity NAME TAB, FASTON, PC BOARD 2.79 [.110] SERIES						
DIMENSIONS: mm [INCHES]		CHK MS FEHER 22FEB01				SIZE	CAGE CODE	DRAWING NO	RESTRICTED TO
TOLERANCES UNLESS OTHERWISE SPECIFIED:		APVD N DEIBERT 22FEB01				A3 00779		C-62437	—
0 PLC ± - 1 PLC ± - 2 PLC ± 0.25 [.010] 3 PLC ± - 4 PLC ± - ANGLES ± -		PRODUCT SPEC —				SCALE 5:1		SHEET 1 OF 1	REV C
MATERIAL BRASS		FINISH	CUSTOMER DRAWING						