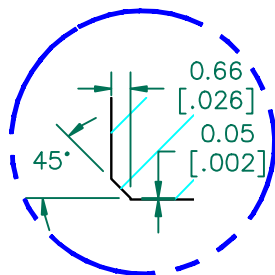


SEE DETAIL "A"

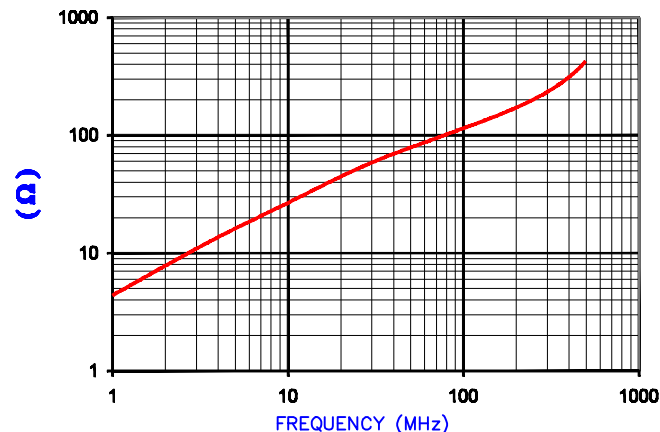


DETAIL "A"  
TYPICAL  
CHAMFER  
SCALE=4:1

**UNCONTROLLED  
DOCUMENT**

IMPEDANCE (Z)			
Frequency	25 MHz	100 MHz	300 MHz
Nominal (REF)	52 Ω	115 Ω	320 Ω
Minimum	- Ω	92 Ω	- Ω

Z vs. FREQUENCY  
(REF. ONLY)



AGILENT E4991A Impedance/Material Analyzer  
HP 10092A-Test Fixture

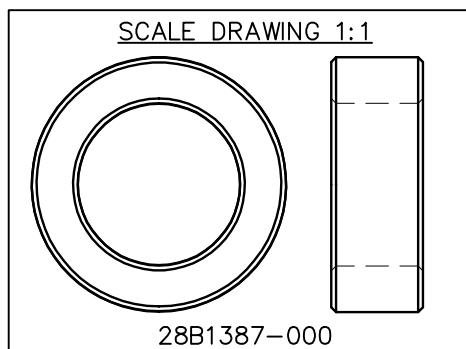
FERRITE CORE DIMENSIONS (SPEC): mm [in]


A	35.23 [1.387]	±	0.66 [.026]
B	22.40 [.882]	±	0.46 [.018]
C	12.70 [.500]	±	0.25 [.010]

WEIGHT/1000 36.05 kgs [79.47Lbs]

NOTES:

- REFERENCE STEWARD P/N 28B1387-00\*, REV C.



DIMENSIONS ARE IN mm [INCHES]				THIS DOCUMENT CONTAINS INFORMATION WHICH IS PROPRIETARY AND CONFIDENTIAL TO STEWARD. NO PRODUCTION OR PUBLICATION OF THIS DOCUMENT IN WHOLE OR IN PART SHALL BE MADE WITHOUT WRITTEN AUTHORIZATION FROM STEWARD.			
E	UPDATE COMPANY LOGO	05/09/07	TMB				
D	UPDATE PRINT FORMAT ADD IMPEDANCE CURVE ADD IMPEDANCE (Z) VALUES TO UPPER RIGHT CORNER OF PRINT CHANGE P/N TO -000 REM COATING SPEC	03/11/03	TMB				
C	CHG P/N TO 28B1387-00*, ADD COATING SPECS	03/24/99	I.S.	PROJECT/PART NUMBER:	REV	PART TYPE:	DRAWN BY:
B	UPDATED P/N FOR NEW CATALOG	10/31/95	JBE	28B1387-000	E	FERRITE CORE	LNK
A	ORIGINAL DRAFT	12/28/92	LNK	DATE:	SCALE:	MATERIAL:	
REV	DESCRIPTION	DATE	INT	12/28/92	1 : 1	STEWARD 28	
				CAD #	TOOL #		
				28B1387-000-E	B1387		