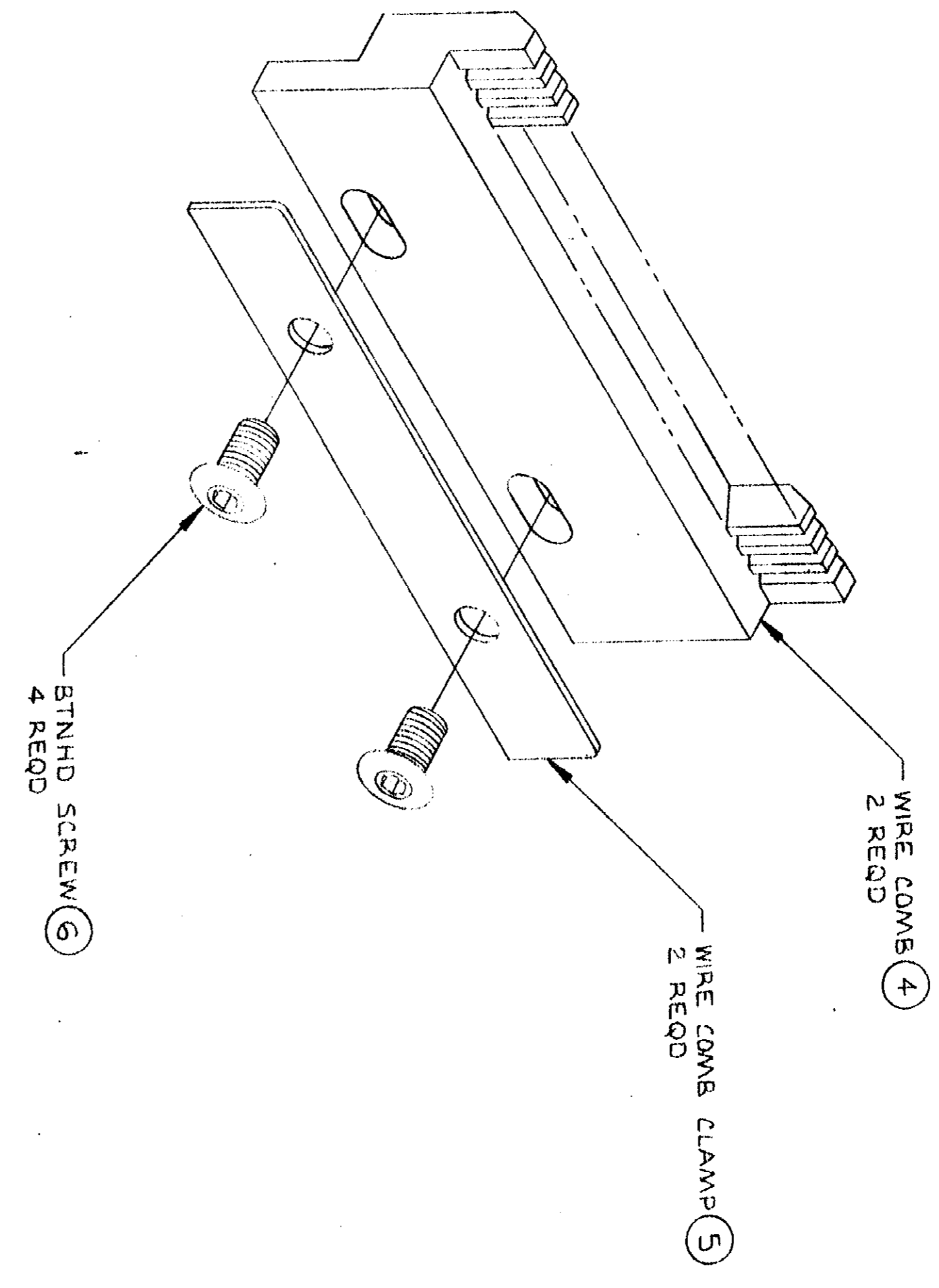
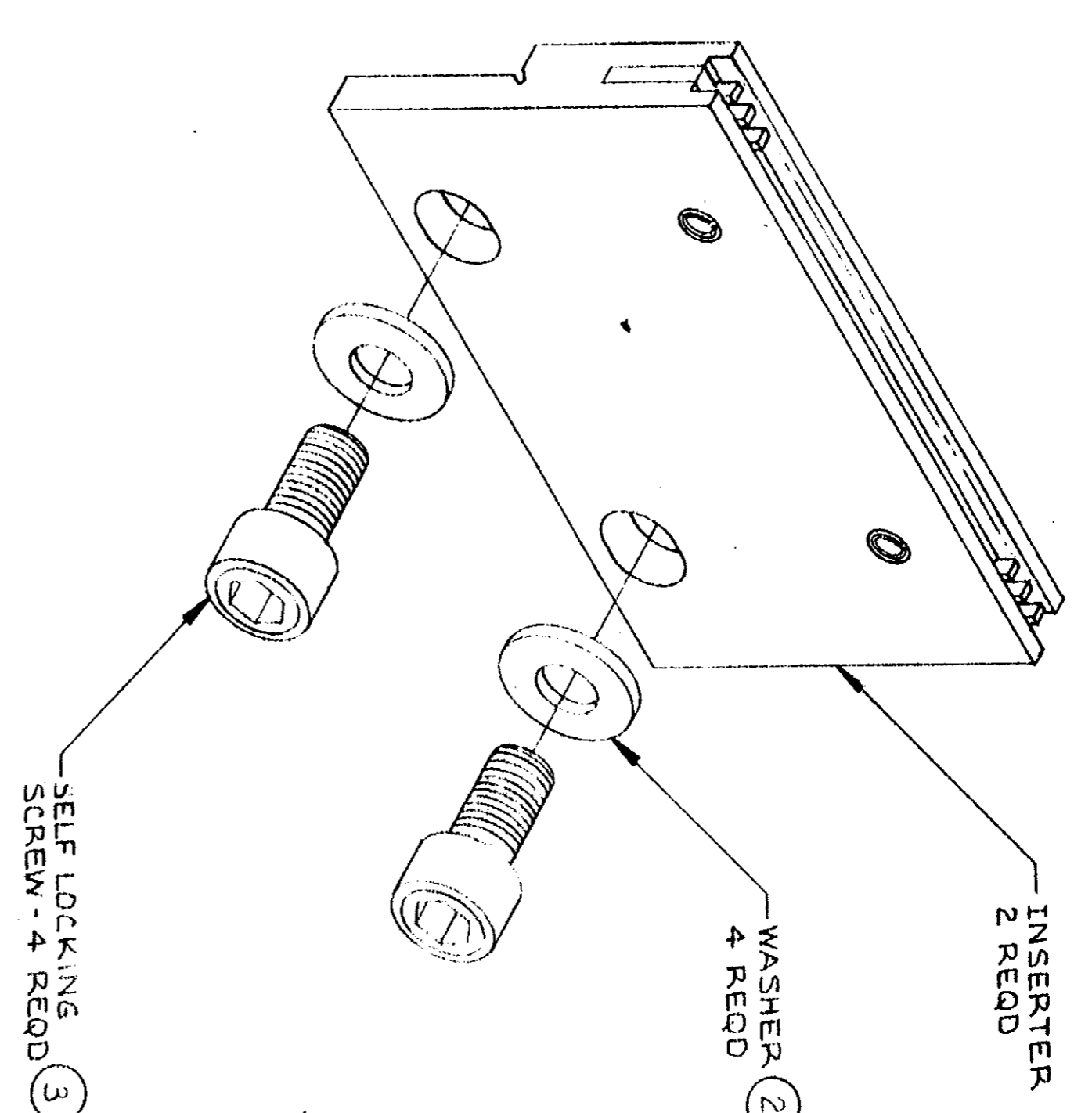


DRAWING MADE IN THIRD ANGLE PROJECTION
 © COPYRIGHT 1979 BY AMP INCORPORATED, HARRISBURG, PA.
 ALL INTERNATIONAL RIGHTS RESERVED. AMP INCORPORATED PRODUCTS
 COVERED BY U. S. AND FOREIGN PATENTS AND/OR PATENTS PENDING.

REVISIONS		DATE	APPROVED
P	F	ZONE	LTR
0	RELEASED	4/27/79	V/S

LDC DIST
AA 45



1. REFER TO COM 3005 FOR DETAILED
 ASSEMBLY INSTRUCTIONS.

UNLESS OTHERWISE SPECIFIED DIMENSIONS ARE IN INCHES. TOLERANCES ON: DECIMALS ± .004 ANGLES		CONTRACT NO		NAME	
MATERIAL		DR <i>MJ Field</i> 4-27-79		KIT, CONVERSION (MULTI- WIRE 50 POSN MI-1)	
FINISH		CHK <i>V.S. Schar</i> 4/27/79		DESCRIPTION	
OTHER APPD		APPD <i>TCS Swain</i> 4-27-79		PART NO	
OTHER APPD		APPD		230596-2	
OTHER APPD		DSGN APPD		230596-1	
OTHER APPD		OTHER APPD		230596	
SCALE 2:1		SIZE CODE IDENT NO DRAWING NO		C 00779	
SCALE 2:1		DRAWING NO		230596	

230596

AMP 1471-6 (7-73)

CUSTOMER DRAWING