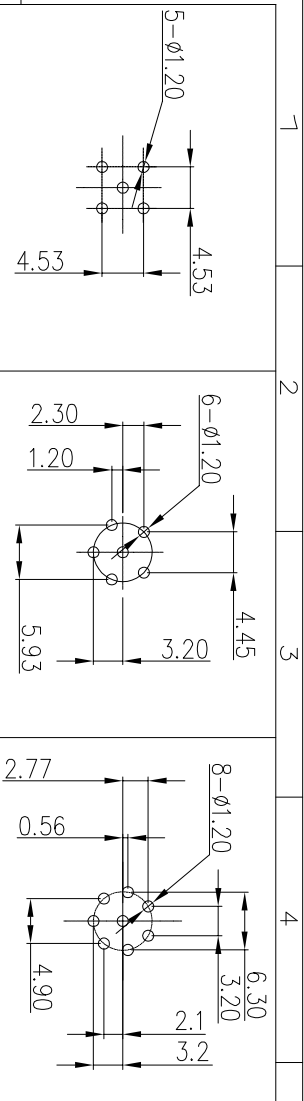
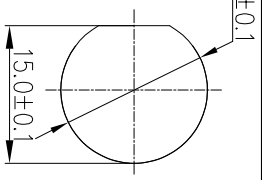


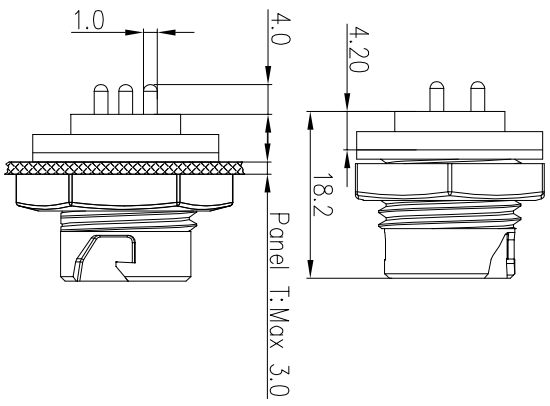
REV.	EN. NO.	DESCRIPTION	SIGN	DATE
C1	N/A	INITIAL DRAWING	Liu	2019/08/13



PCB Layout

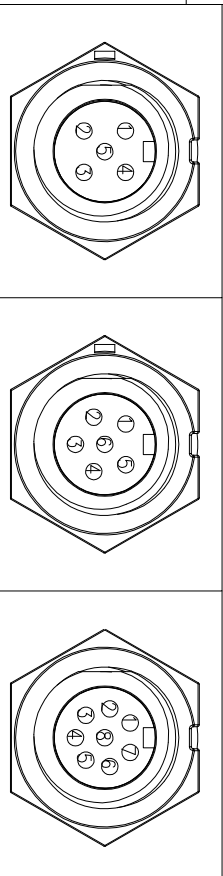


Recommended Panel Cut-Out



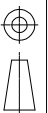
Pin Number

22XXX535-02



P/N: 2200535-02      P/N: 22006535-02      P/N: 22008535-02

Pin Assignments Front View



UNIT: mm  
 TOLERANCE  
 .X ±0.25  
 .XX ±0.15  
 .XXX ±0.05  
 ANGLES ±1°

DESCRIPTION Standard Series Push Lock Front Mount With Male Pin(PCB)

SCALE 1:1  
 REV C1  
 SIZE A4  
 SHEET 1 OF 1  
 \* : Inspection Item

**CHOGORI**

PART NO 22XXX535-02

DWG NO  
 CUSTOMER

DRAWN BY Liu

CHECKED BY Mo  
 APPROVED BY Ponsoon

DATE 2019/08/13

DATE 2019/08/13  
 DATE 2019/08/13

- Specification:
1. Operation Temperature: -45°C~105°C.
  2. Insulation Resistance: 100MΩ at DC500V.
  3. Contact Resistance: <10mΩ.
  4. Withstand Voltage: 1300V AC
  5. Operating Current: 5A
  6. Operating Voltage: AC 60V
  7. Waterproof Rate: IP67 (Mated)
  8. Housing: Nylon, Black
  9. Male Pin: Copper Alloy, Gold Plated
  10. Gasket: Silicon Gray
  11. Panel Nut: Nylon, Orange
  12. RoHS Compliant.
  13. Mating Cap P/N: 806-00053-00

