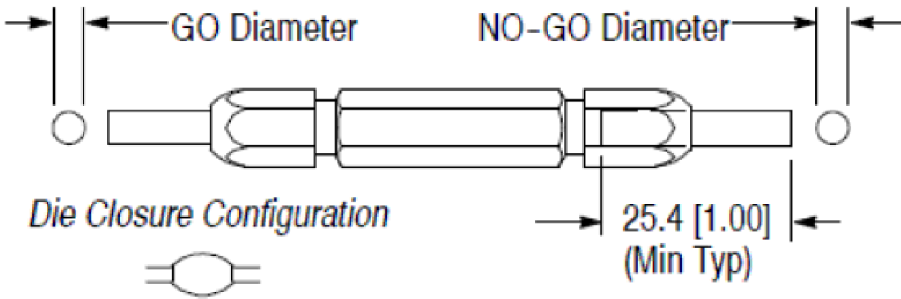
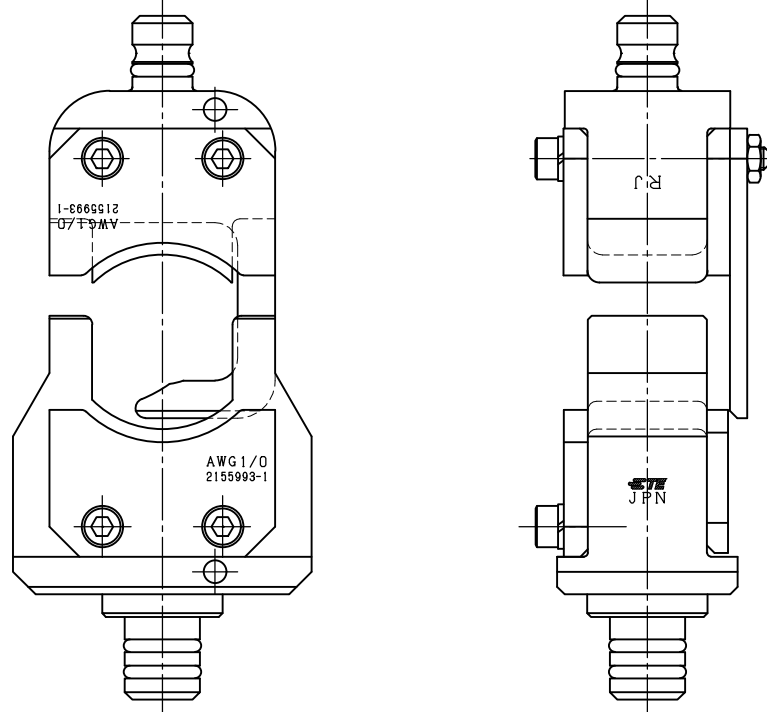


REVISIONS					
P	LTR	DESCRIPTION	DATE	DWN	APVD
	A3	ECR-19-017312 Remove note Restrict sales	08NOV2019	S.N	J.S

PART NUMBER	WIRE RANGE	TERMINAL	REMARKS
2155993-1	AWG 1/0	TERMINYL	TE REC-Li250M



GAGE ELEMENT DIAMETER	
GO	NO-GO
10.185-10.193 [.4010-.4013]	10.335-10.338 [.4069-.4070]

RELEASED FOR PUBLICATION

ORG 47824 DRG 525447-1 REV A DRG 408-1729 REV K

ALL RIGHTS RESERVED.

© COPYRIGHT - Tyco Electronics Japan G.K.

THIS DRAWING IS UNPUBLISHED.

DIMENSIONS: mm	DWN	S.NAKA	05NOV2013	MATERIAL	-	FINISH	-
	CHK	S.NAKA	05NOV2013	TE Connectivity Ltd.			
TOLERANCES UNLESS OTHERWISE SPECIFIED:	APVD	J.KOGA	05NOV2013				
	0 PLC	± -	PRODUCT SPEC	DIES, TE REC-Li250M, TERMINYL, AWG 1/0			
1 PLC	± -	APPLICATION SPEC	SIZE				
2 PLC	± -		A4	CAGE CODE	00779	DRAWING NO	RESTRICTED TO
3 PLC	± -			C-2155993			-
4 PLC	± -						
ANGLES	± -						
		WEIGHT	Approx.295g	CUSTOMER DRAWING			
				SCALE	-	SHEET	1 OF 1
							REV A3