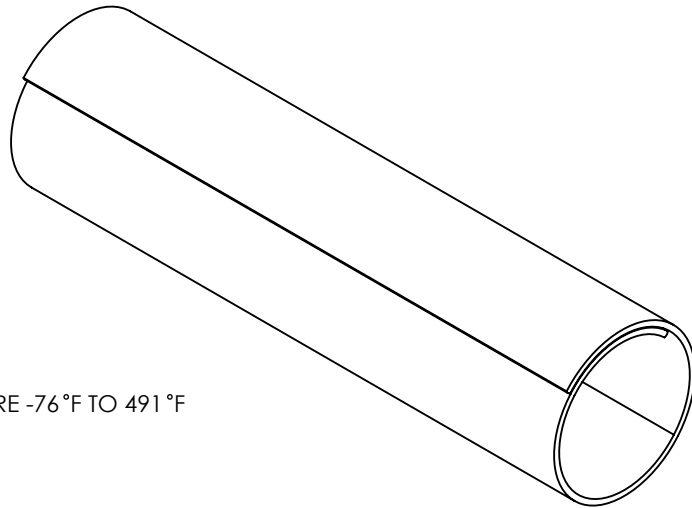
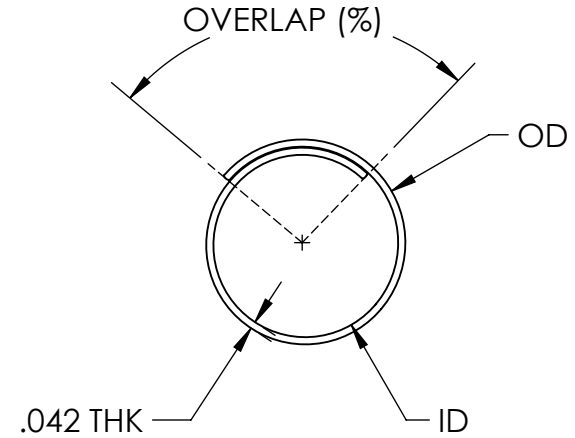
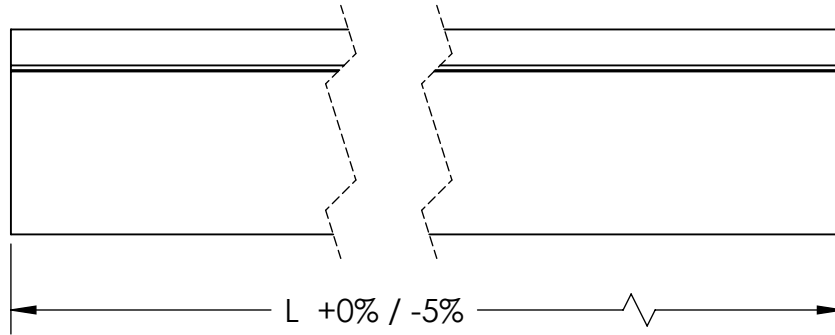


SW2015



Revision level			Revision Record	Changed	Date	Approved	Date
Drawing	State	Part					
00.0	Design Release	-	SEE ECN# 013695	GRW	1/26/2017	KAC	1/26/2017



- NOTES:  
 1. OPERATING TEMPERATURE -76°F TO 491°F (-60°C TO 255°C)  
 2. MELT 2,048°F (1,120°C)  
 3. NON-FLAMMABLE  
 4. RoHS  
 5. HF  
 6. FAR 25 COMPLIANCE

NOMINAL SIZE	TYPE	OD	ID	OVERLAP (%)	LENGTH (FT)	PIECES PER BOX
1/4	BSHTTSW14SB	.292	.250	41	4	50
3/8	BSHTTSW38SB	.417	.375	41	4	30
1/2	BSHTTSW12SB	.542	.50	35	4	25
1/2	BSHTTSW12LB	.542	.50	35	4	70
5/8	BSHTTSW58SB	.667	.625	30	4	20
3/4	BSHTTSW34SB	.792	.750	28	4	15
3/4	BSHTTSW34LB	.792	.750	28	4	50
1	BSHTTSW1SB	1.042	1.0	26	4	9
1	BSHTTSW1LB	1.042	1.0	26	4	30
1 1/4	BSHTTSW114SB	1.292	1.25	26	4	6
1 1/2	BSHTTSW112SB	1.542	1.50	23	4	4
1 1/2	BSHTTSW112LB	1.542	1.50	23	4	15
2	BSHTTSW2SB	2.042	2.0	23	4	2

Material GF-AL	Units: inches	The copyright of this drawing is reserved by HellermannTyton. It is issued on condition that it is not reproduced, copied, or disclosed to a third party, either wholly or in part, without the consent of HellermannTyton.	Drawn	GRW	1/26/2017	Article/Type-No	BSHTTSW	Scale	
	Dimension without tolerances details to: .xxxx = ±.0005 .xxx = ±.005 .xx = ±.01 .x = ±.03 None = ±.06 ∠ = ±0.5° Dimension Formatted in [mm]		Approved	KAC	1/26/2017	Title	<b>ALUMINUM LAMINATED FIBERGLASS WRAP</b>	Project Number	PRP 17-0420
	North America Email: corp@htamericas.com Web: www.hellermann.tyton.com			Drawing-No	Production : Phase		Format	AH	
				<b>17-0420-001-CSU</b>			Sheet	1/1	