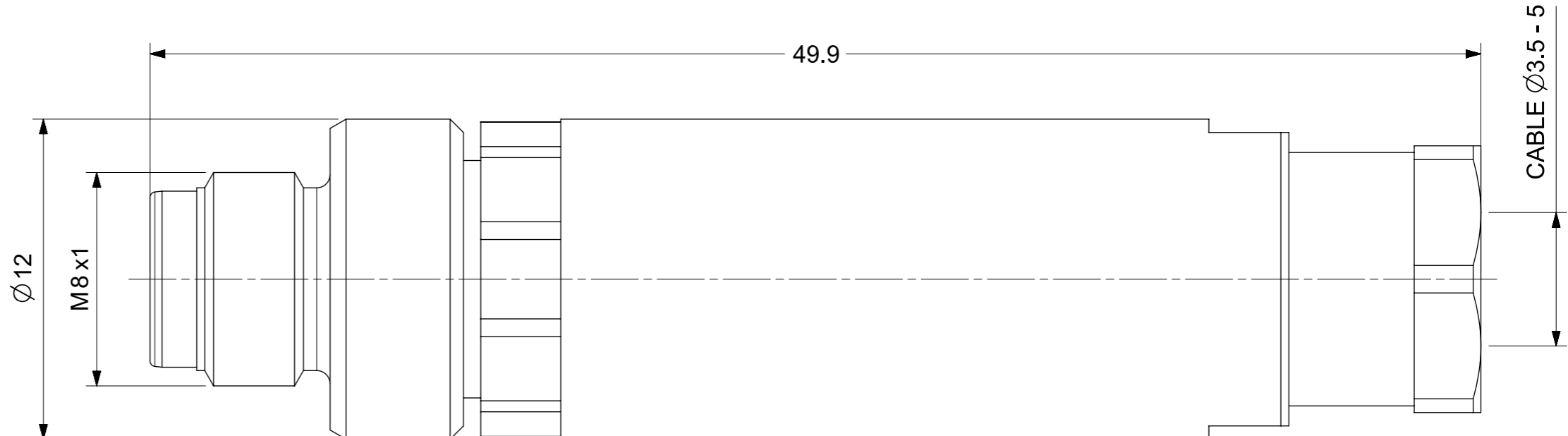
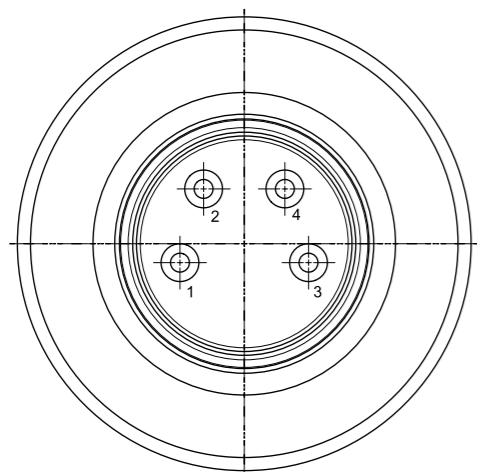
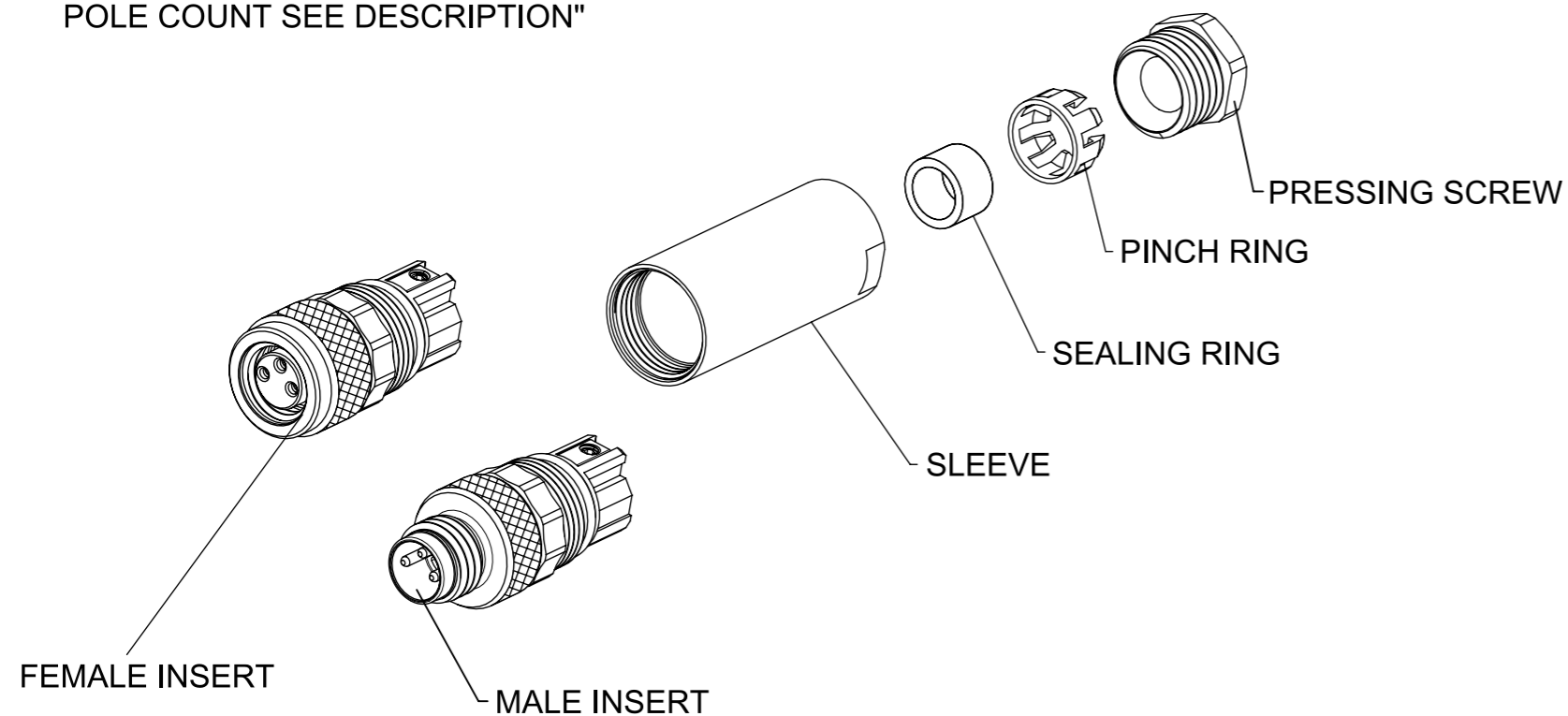


"EXPLODED DRAWING FOR REFERENCE,
POLE COUNT SEE DESCRIPTION"



NOTES:

1. LOCKING SYSTEM: SCREW
WIRE GAUGE: 0.14 - 0.50 mm²
CABLE OUTLET: 3.5 - 5 mm
2. ELECTRICAL DATA:
CURRENT RATING: 4 A
VOLTAGE RATING: 60 V
3. MECHANICAL:
OPERATING TEMP.: -40° C - 85° C
PROTECTION CLASS: IP 67
4. MATERIAL:
CONTACT: CuZn (BRASS)
CONTACT PLATING: Au (GOLD)

PENDING APPROVAL

ENG.-NO.: N04MA03134

FUNCTIONAL SYMBOLS		THIS DRAWING CONTAINS INFORMATION THAT IS PROPRIETARY TO MOLEX ELECTRONIC TECHNOLOGIES, LLC AND SHOULD NOT BE USED WITHOUT WRITTEN PERMISSION		CURRENT REV DESC: VOLTAGE RATING CHANGED		molex	
▽/A = 0	mm	SCALE	5:1	GENERAL TOLERANCES (UNLESS SPECIFIED)			
▽/E = 0	ANGULAR TOL		± 1.0 °	4 PLACES ±		EC NO: 661358	
▽/P = 0	DIVISIONAL SYMBOLS		3 PLACES ±	2 PLACES ± 0.05		DRWN: RSCHIEBER 2021/04/19	
1 PLACE ± 0.3		INITIAL REVISION:		2015/06/30		DOCUMENT NUMBER	
0 PLACES ± 0.5		DRAFT WHERE APPLICABLE MUST REMAIN WITHIN DIMENSIONS		THIRD ANGLE PROJECTION		DRAWING	
SERIES		MATERIAL NUMBER		CUSTOMER		SHEET NUMBER	
A3-SIZE		120091		1200910025		GENERAL MARKET	
PSD		000		A2		1 OF 1	

DOCUMENT STATUS	RQ	RELEASE DATE	
-----------------	----	--------------	--