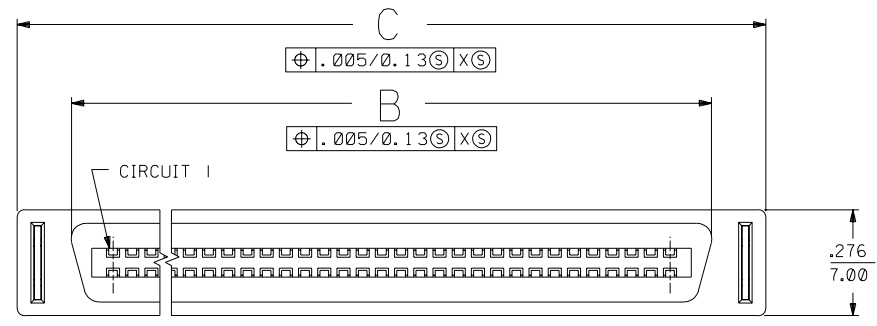


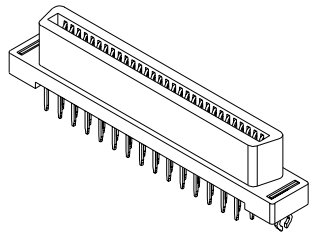
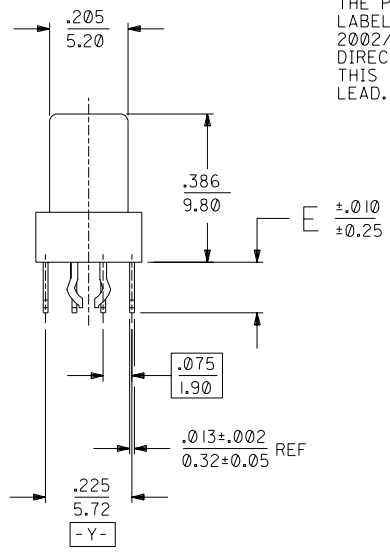
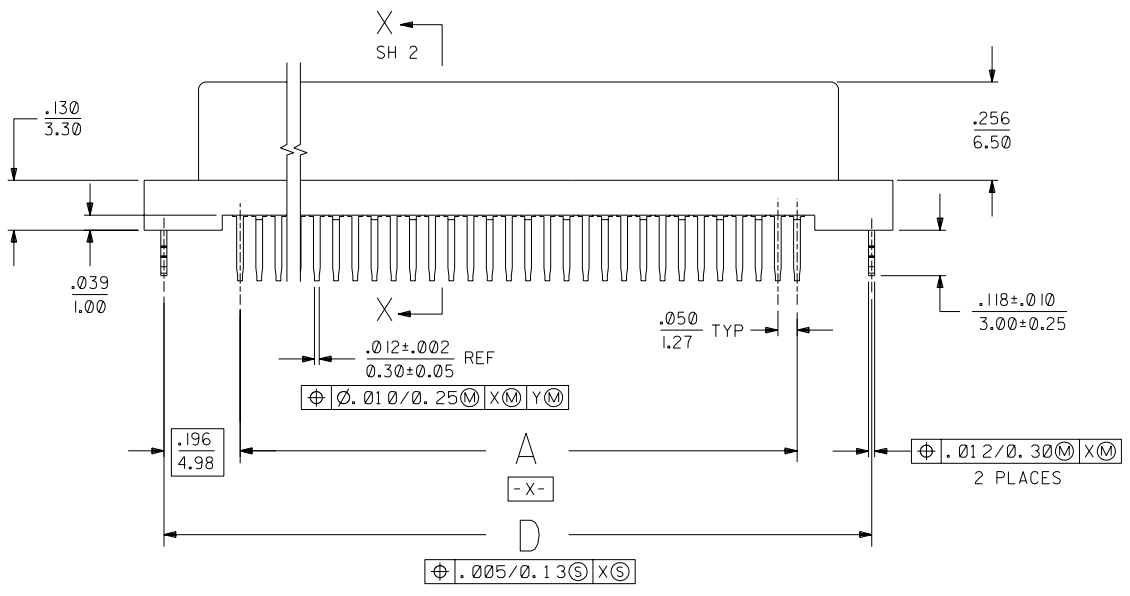
NOTES:

- 1) MATERIALS:
HOUSING- LCP, GLASS FILLED, 94V-0, BLACK.
TERMINALS- COPPER ALLOY
METAL PEGS- COPPER ALLOY
- 2) PLATING:
.000030 INCHES MINIMUM GOLD IN SELECTIVE CONTACT AREA
OVER .000050-.000100 INCHES NICKEL IN CONTACT AREA.
.000100-.000200 INCHES TIN IN SOLDER TAIL AREA.
- 3) ASSEMBLY MATES WITH MOLEX P/N SDA-71661-****.
CONFORMS TO PRODUCT SPECIFICATION PS-71660.
- 4) RECOMMENDED P.C. BOARD THICKNESS IS .062 (1.6).
- 5) CONNECTOR WILL ACCEPT MATING TO A P.C. BOARD WITH
A THICKNESS OF .062±.003.



NOTE FOR LEAD FREE CONVERSION:

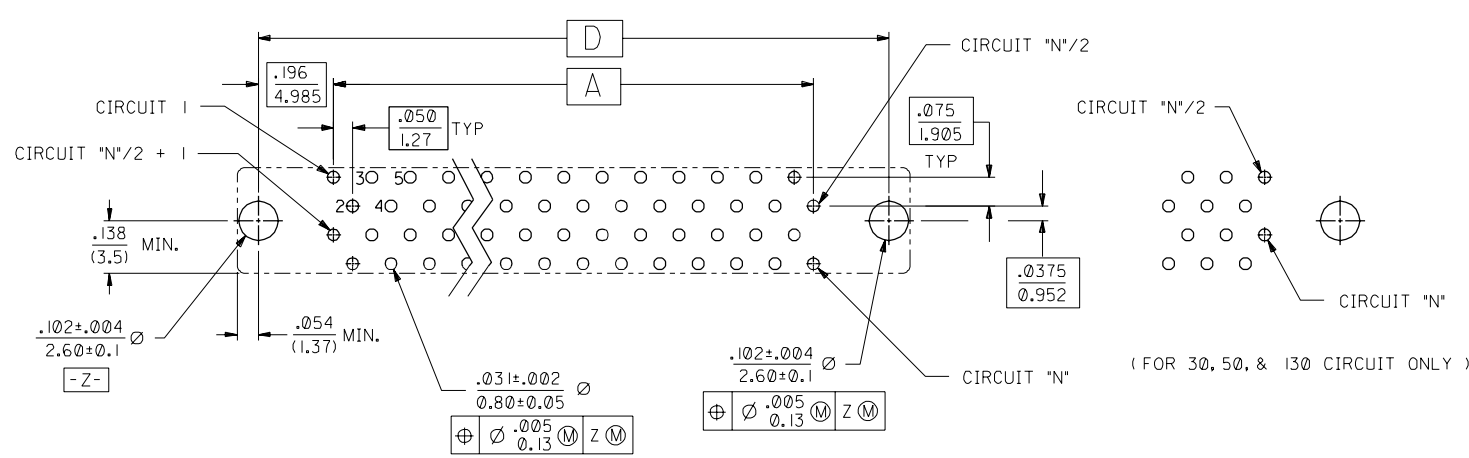
THE PRIMARY SHIPPING CARTON WILL BE
LABELED 'COMPLIANT TO RoHS DIRECTIVE
2002/95/EC AND ELV ANNEX II OF
DIRECTIVE 2000/53/EC'. CARTONS WITHOUT
THIS LABEL MAY CONTAIN PRODUCT WITH
LEAD.



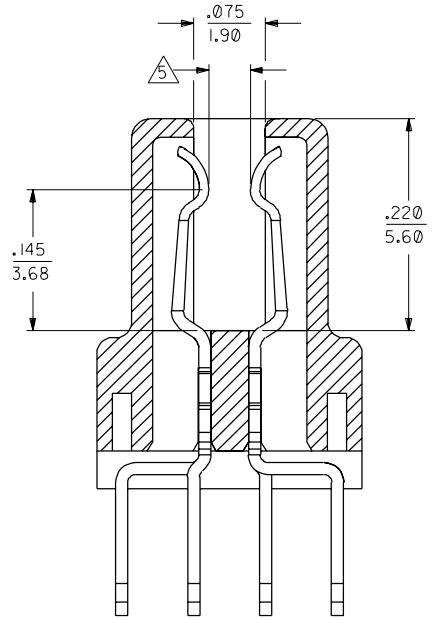
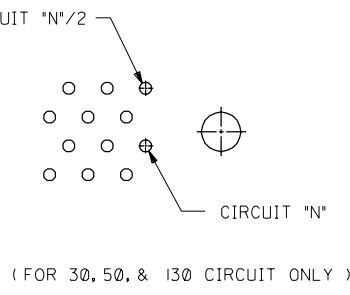
60 CIRCUIT ASSEMBLY SHOWN
SCALE 2:1

F	LEAD FREE CONV ECN UCP2004-2096 RKADAMS 04/04/23
E	REVISED ECN UDT 2000-1231 ACHAMMER 00/06/07
D	REVISED PER ECN U405641 11-29-95 DRS
C	REVISED PER ECN U40506 4-15-94 RAN
B	REVISED PER ECN U31755 12-3-93 RAN
A	INITIAL RELEASE PER ECN U30874 5-18-93 RAN

DIMENSIONS SHOWN (METRIC) INCH UNLESS OTHERWISE SPECIFIED TOLERANCES: ANGULAR ± 1/2°		▽ = 0 = 0 REVISION ONLY ON CAD SYSTEM	
3 PLACE ± .005	INCH	---	METRIC
2 PLACE ± .01	± 0.13		
1 PLACE ---	± 0.25		
DRAFT WHERE APPLICABLE MUST REMAIN WITHIN DIMENSIONS			
DRWG. NO. SDA-71660-9***	FILE NAME S71660X9	SHEET NO. 1 OF 2	DATE 4/23/93
DRWG. BY RAN	CHK'D. BY RAN	THIS DRAWING CONTAINS INFORMATION THAT IS PROPRIETARY TO MOLEX INC. AND SHOULD NOT BE USED WITHOUT WRITTEN PERMISSION.	
APP'D. BY CAB	SCALE 4: 1	DIV. C	SIZE C



RECOMMENDED PC BOARD LAYOUT Δ
 COMPONENT SIDE
 (FOR 40,60,68,80,100, & 120 CIRCUIT ONLY)



SECTION X-X
 SCALE- 10:1

	E	D	C	B	A	CKT ("N")	ITEM NUMBER
D	.110 (2.79)	3.592 (91.25)	3.699 (93.95)	3.418 (86.82)	3.200 (81.28)	130	71660-9430
	.110 (2.79)	3.342 (84.90)	3.449 (87.60)	3.168 (80.47)	2.950 (74.93)	120	71660-9420
	.110 (2.79)	2.842 (72.20)	2.949 (74.90)	2.668 (67.77)	2.450 (62.23)	100	71660-9400
	.110 (2.79)	2.342 (59.50)	2.449 (62.20)	2.168 (55.07)	1.950 (49.53)	80	71660-9380
	.110 (2.79)	2.042 (51.88)	2.149 (54.58)	1.868 (47.45)	1.650 (41.91)	68	71660-9368
C	.110 (2.79)	1.842 (46.80)	1.949 (49.50)	1.668 (42.37)	1.450 (36.83)	60	71660-9360
	.110 (2.79)	1.592 (40.45)	1.699 (43.15)	1.418 (36.02)	1.200 (30.48)	50	71660-9350
	.110 (2.79)	1.342 (34.10)	1.449 (36.80)	1.168 (29.67)	.950 (24.13)	40	71660-9340
	.110 (2.79)	1.092 (27.75)	1.199 (30.45)	.918 (23.32)	.700 (17.78)	30	71660-9330
	.134 (3.40)	3.592 (91.25)	3.699 (93.95)	3.418 (86.82)	3.200 (81.28)	130	71660-9130
	.134 (3.40)	3.342 (84.90)	3.449 (87.60)	3.168 (80.47)	2.950 (74.93)	120	71660-9120
	.134 (3.40)	2.842 (72.20)	2.949 (74.90)	2.668 (67.77)	2.450 (62.23)	100	71660-9100
	.134 (3.40)	2.342 (59.50)	2.449 (62.20)	2.168 (55.07)	1.950 (49.53)	80	71660-9080
	.134 (3.40)	2.042 (51.88)	2.149 (54.58)	1.868 (47.45)	1.650 (41.91)	68	71660-9068
	.134 (3.40)	1.842 (46.80)	1.949 (49.50)	1.668 (42.37)	1.450 (36.83)	60	71660-9060
	.134 (3.40)	1.592 (40.45)	1.699 (43.15)	1.418 (36.02)	1.200 (30.48)	50	71660-9050
	.134 (3.40)	1.342 (34.10)	1.449 (36.80)	1.168 (29.67)	.950 (24.13)	40	71660-9040
	.134 (3.40)	1.092 (27.75)	1.199 (30.45)	.918 (23.32)	.700 (17.78)	30	71660-9030

MFG. SH.	REV.	LTR.	REVISIONS
			D SEE SHEET 1
			C SEE SHEET 1

UNLESS OTHERWISE SPECIFIED TOLERANCES: ANGULAR $\pm 1/2^\circ$

PLACEMENT	INCH	METRIC
3 PLACE	$\pm .005$	---
2 PLACE	$\pm .01$	± 0.13
1 PLACE	---	± 0.25

DRAFT WHERE APPLICABLE MUST REMAIN WITHIN DIMENSIONS

DRWG. BY: RAN	CHK'D. BY: RAN	SCALE: 4:1
APP'D. BY: CAB	FILE NAME: S71660X9	DATE: 4/23/93

THIS DRAWING CONTAINS INFORMATION THAT IS PROPRIETARY TO MOLEX INC. AND SHOULD NOT BE USED WITHOUT WRITTEN PERMISSION.

SALES ASSEMBLY EBBI 50D VERTICAL RCPT W/O CENTER BOARD LOCK & POLAR. PEG

MOLEX INCORPORATED
 LITTLEILL. 60532 U.S.A.

PART NO. SEE TABLE
 SHEET NO. 2
 DATE 4/23/93

DRWG. NO. SDA-71660-9***
 DIV. C
 SIZE C

71660