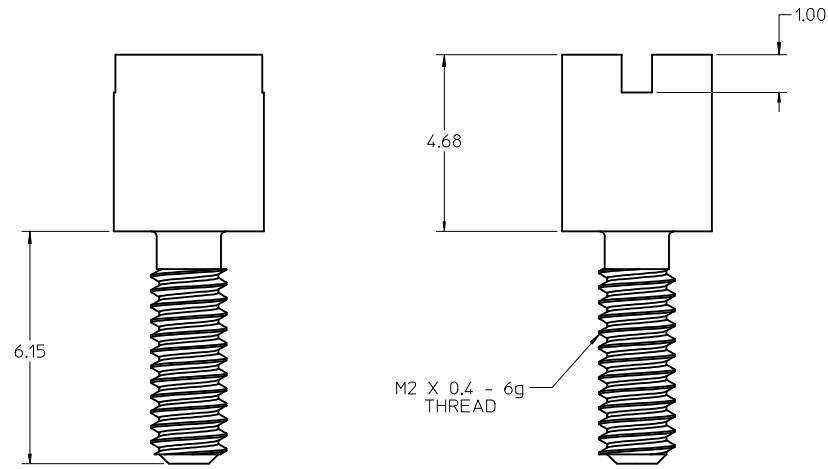
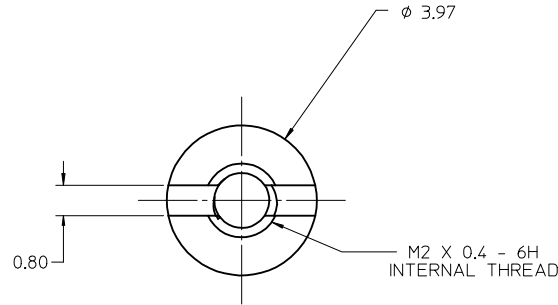


NOTES:

- 1. MATERIAL: HOT ROLLED STEEL.
- 2. FINISH: BRIGHT NICKEL OVERALL.
- 3. PACKAGING: 200 PARTS TO BE BULK PACKED IN BAGS.



INITIAL RELEASE EC NO: UCP2007-2550 DRWN:MSI BARRA 2007/05/15 CHKD:BBARKER 2007/05/17 APPR:SMILLER 2007/05/18	QUALITY SYMBOLS ▽=0 ▽=0	GENERAL TOLERANCES (UNLESS SPECIFIED)		DIMENSION STYLE <b>MM ONLY</b>	SCALE <b>10:1</b>	DESIGN UNITS METRIC	THIRD ANGLE PROJECTION		
		4 PLACES ± --- ± ---	3 PLACES ± --- ± ---	2 PLACES ± 0.13 ± ---	1 PLACE ± --- ± ---	DRAWN BY MIBARRA	DATE 2007/04/09	TITLE <b>VHDCI M2 X 0.4MM FEMALE ROUND SCREWLOCK</b>	
		ANGULAR ± 1/2°				CHECKED BY BBARKER	DATE 2007/04/09	MOLEX INCORPORATED	
		DRAFT WHERE APPLICABLE MUST REMAIN WITHIN DIMENSIONS				APPROVED BY SMILLER	DATE 2007/04/09	MATERIAL NO. <b>71433-0010</b>	DOCUMENT NO. <b>SD-71433-010</b>
A1	REV	DESCRIPTION		SIZE C	THIS DRAWING CONTAINS INFORMATION THAT IS PROPRIETARY TO MOLEX INCORPORATED AND SHOULD NOT BE USED WITHOUT WRITTEN PERMISSION			SHEET NO. 1 OF 1	