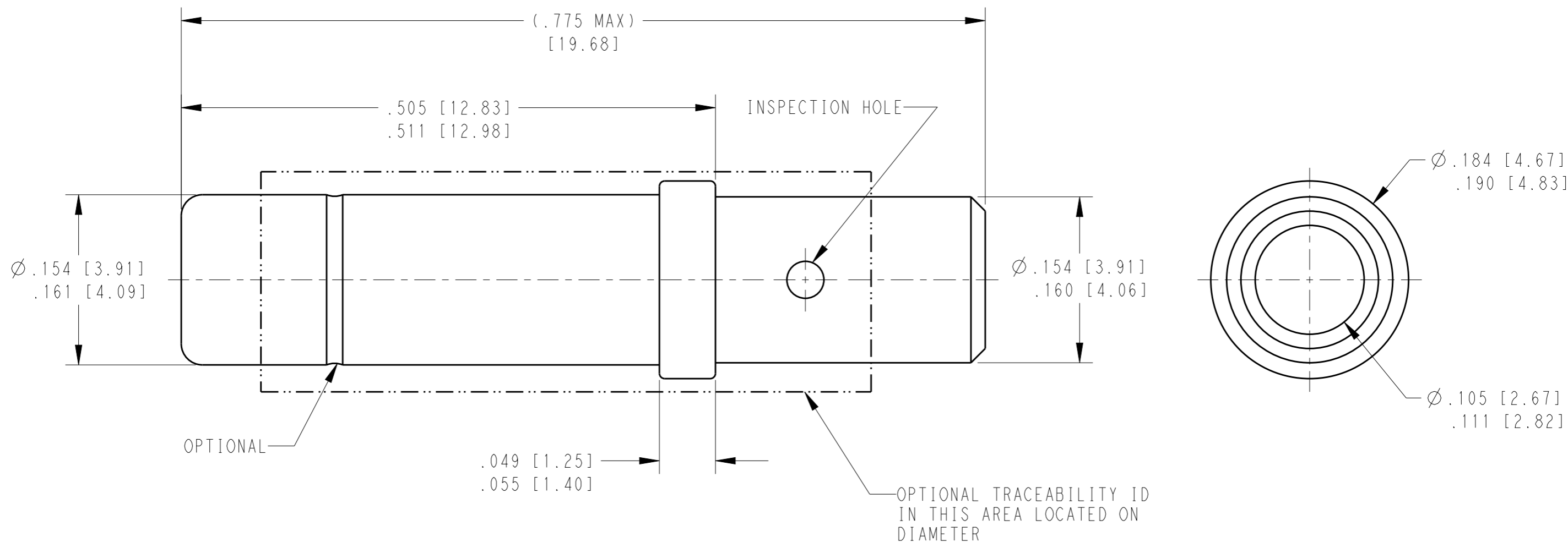


THIS DRAWING IS UNPUBLISHED
 RELEASED FOR PUBLICATION 2018
 © COPYRIGHT 2009 BY TE CONNECTIVITY ALL RIGHTS RESERVED.

LOC	DIST	REVISIONS			
P	LTR	DESCRIPTION	DATE	DWN	APVD
	NC	NEW RELEASE PER E.O 1399	13APR1984	JA	DM
	A	REVISED AND REDRAWN PER EO P20205	02JUN2009	JA	RDR
	B	REVISED PER PCN E-18-001206	24JAN2018	JA	DM
	B1	REVISED PER PCN E-19-018080	19NOV2019	MK	DM



TE INTERNAL PN	DEUTSCH PN	PLATING
0462-210-1231	0462-210-1231	GOLD

THIS DRAWING IS A CONTROLLED DOCUMENT.		DWN	29JUN2009		
DIMENSIONS: INCHES [mm]		CHK	29JUN2009		
TOLERANCES UNLESS OTHERWISE SPECIFIED:		APVD	29JUN2009		
0 PLC ± 1 PLC ± 2 PLC ± 3 PLC ± 4 PLC ± ANGLES ±		PRODUCT SPEC	108-151004		
MATERIAL		FINISH		NAME	
				CONTACT SOCKET SIZE 12	
				SIZE	CAGE CODE
				A3	4AFU8
				DRAWING NO	RESTRICTED TO
				©=0462-210-1231	
				WEIGHT	SCALE
				1.31g	10:1
				CUSTOMER DRAWING	SHEET 1 OF 1
					REV B1

(B1) 1. SEE APPLICATION SPECIFICATION 114-151004 FOR CRIMP TOOLS AND WIRE RANGE

NOTES: