



TAI-SAW TECHNOLOGY CO., LTD.

No. 3, Industrial 2nd Rd., Ping-Chen Industrial District,
Taoyuan, 324, Taiwan, R.O.C.

TEL: 886-3-4690038 FAX: 886-3-4697532

E-mail: tstsales@mail.taisaw.com Web: www.taisaw.com

Approval Sheet For Product Specification

Issued Date:

Product Name: SAW Filter 433MHz SMD 3.8×3.8mm

TST Parts No.: TA0692A

Customer Parts No.: _____

Company: _____
Division: _____
Approved by : _____
Date: _____

Checked by: _____ Asin Lin

Approval by: _____ Francis Chen

Date: _____ 2007/05/11



TAI-SAW TECHNOLOGY CO., LTD.

No. 3, Industrial 2nd Rd., Ping-Chen Industrial District,
Taoyuan, 324, Taiwan, R.O.C.

TEL: 886-3-4690038 FAX: 886-3-4697532

E-mail: tstsales@mail.taisaw.com Web: www.taisaw.com

SAW Filter 433 MHz

MODEL NO.: TA0692A

REV. NO.:1

A. MAXIMUM RATING:

1. Input Power Level: 10 dB_m
2. DC voltage: 3 V
3. Operating Temperature: -30°C to 72°C
4. Storage Temperature: -30°C to +85°C

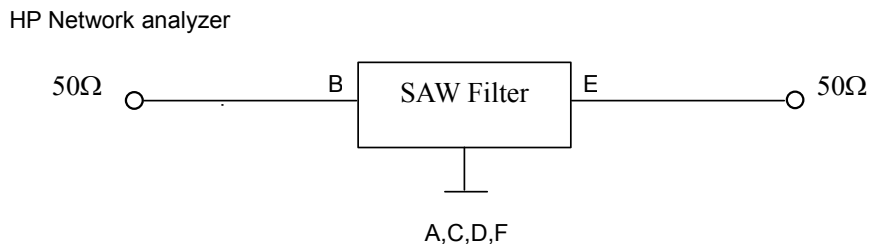
RoHS Compliant
Lead free
Lead-free soldering

B. CHARACTERISTICS:

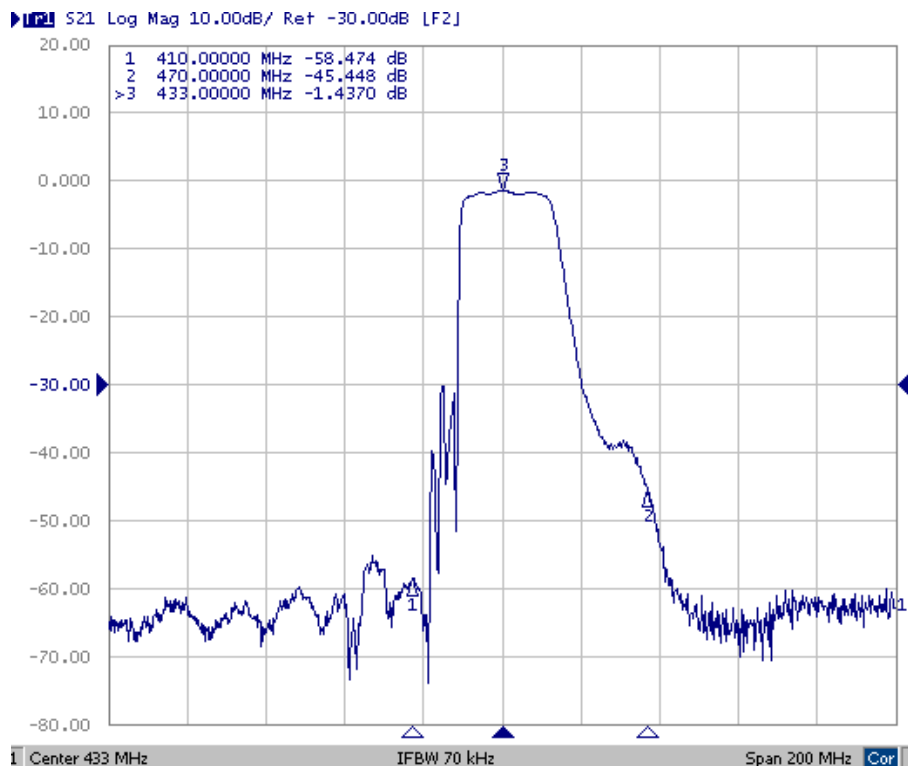
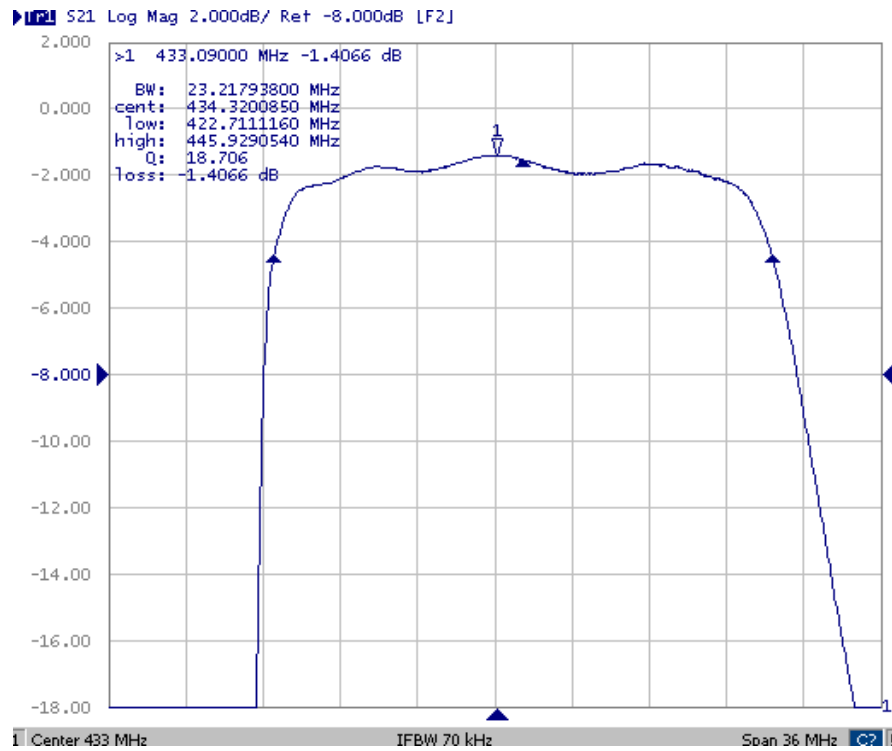
Item		Specification			
		Unit	Min.	Typ.	Max.
Center Frequency	F _c	MHz	-	433	-
Insertion Loss	IL _{min}	dB	-	1.4	2.8
Bandwidth	BW _{-3dB}	MHz	20	22.9	-
Absolute Attenuation(reference to 0 dB)					
10 ~ 410	MHz	dB	36	45	-
470 ~ 680	MHz	dB	36	46	-
Source impedance	Z _s	Ω	-	50	-
Load impedance	Z _L	Ω	-	50	-
Temperature coefficient		ppm/k		-36	

Note: IL_{min} is the minimum of the pass band attenuation. The center frequency F_c is the mean value of the upper and lower frequencies at the 3dB filter attenuation level relative to the IL_{min}.

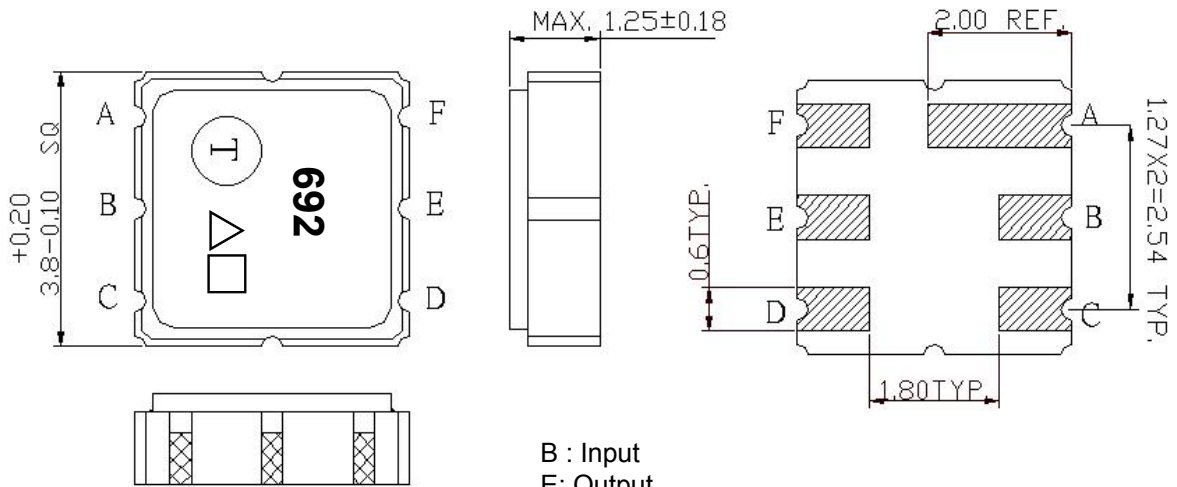
C. MEASUREMENT CIRCUIT:



D. TRANSFER FUNCTION :



E.OUTLINE DRAWING:

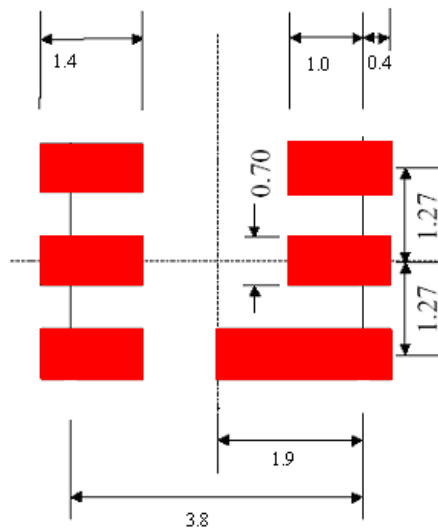


B : Input
 E: Output
 A,C,D,F Ground
 △:Year Code
 □: Date Code(Follow the table provided by planner each year.)
 Unit: mm

△ Product Year Code

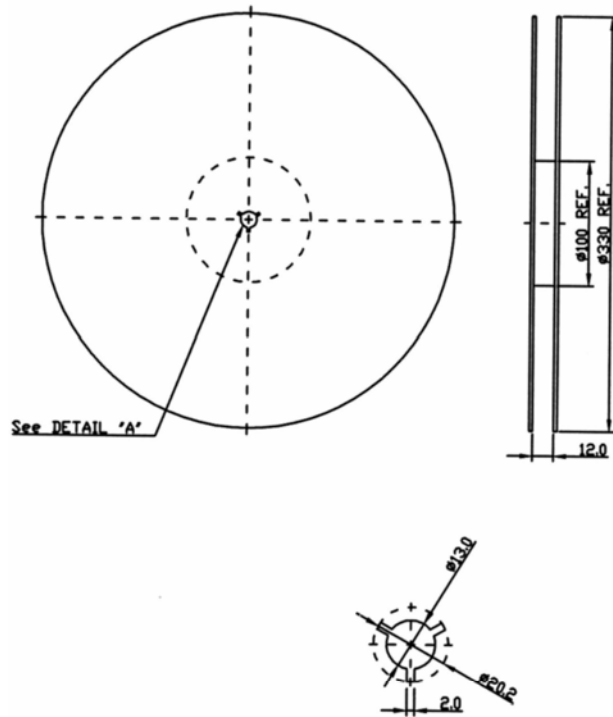
Year	2005	2006
	2007	2008
	2009	2010
Product Code	A	a

F.PCB FOOTPRINT:

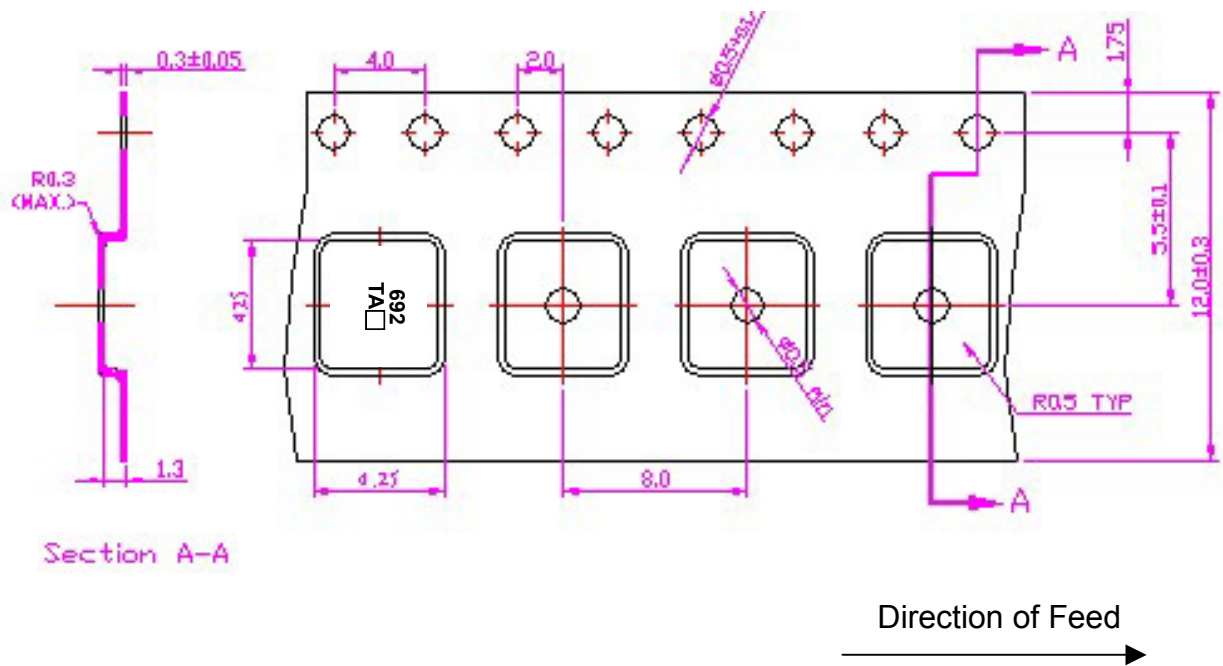


G. PACKING:

1. REEL DIMENSION



2. TAPE DIMENSION



H. REFLOW PROFILE

