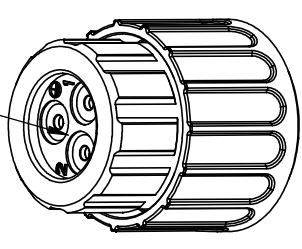
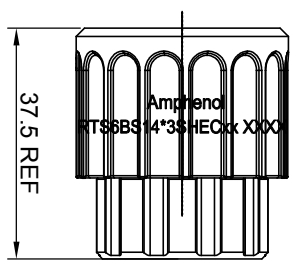
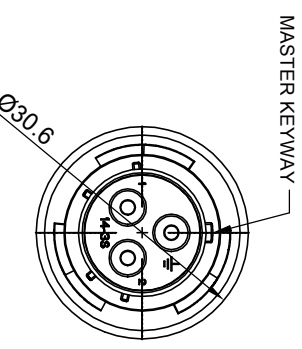


REVISIONS				
REV	ECO	DESCRIPTION	DATE	BY APPR
A1	-	RELEASED DRAWING	Oct-25-2018	Blink Tommy
A2	-	UPDATE DRAWING	Feb-19-2019	Blink Tommy



SEALING PLUGS CAN BE PURCHASED SEPARATELY

NOTES : (UNLESS OTHERWISE SPECIFIED)

1. MATERIAL :
 SHELL : THERMOPLASTIC , UL94 V-0.
 INSERT : THERMOPLASTIC , UL94 V-0.
 COUPLING NUT : THERMOPLASTIC , UL94 V-0.
 O-RING : NBR OR SILICONE RUBBER.
 WASHER : SILICONE RUBBER.
 END CAP : THERMOPLASTIC , UL94 V-0.
 PLASTIC RING : THERMOPLASTIC , UL94 V-0.
 WIRE SEAL : SILICONE RUBBER.
2. SPECIFICATIONS :
 2.1 RATED CURRENT : 45A (MAX).
 2.2 RATED VOLTAGE : 600V(AC/DC).
 2.3 OPERATING TEMPERATURE : SEE TABLE.
 2.4 DIELECTRIC WITHSTANDING VOLTAGE : LESS THAN 2 MILLAMPS CURRENT LEAKAGE@2500 VOLTS AC.
 2.5 INSULATION RESISTANCE : 5000 MEGOHMS MIN.
 2.6 IP CLASS : IP67 AND IP69K IN THE MATED CONDITION,
 WIRE SEALS FULLY POPULATED.
 2.7 MATING CYCLES DURABILITY : 500 CYCLES MIN.
 2.8 ROHS COMPLIANT.
3. SUITABLE CONTACTS : # CONTACT.
4. ALL DIMENSIONS ARE FOR REFERENCE USE ONLY.

CONTACT SIZE	CONTACT PN	WIRE RANGE	Insulation Overall Diameter(min-max)
#8	MS10A23x	12-10AWG	Ø2.8mm - Ø4.1mm

KEY	PART NUMBER
-40°C ~ 105°C	RTS6BS14N3SHEC
-40°C ~ 125°C	RTS6BS14N3SHEC03

QUANTITY	PART NUMBER	DESCRIPTION	ITEM
MATERIALS LIST			
<p>UNLESS OTHERWISE SPECIFIED</p> <p>1) All dimensions are in metric(mm). 2) Dimensions are in inches (in) unless otherwise specified. 3) PL DEC 2018 4) Angle 45° 5) Non reference = X</p>			
<p>SIGNATURES</p> <p>DRAWN: Blink DATE: Feb-19-2019 CHECKED: Tommy DATE: Feb-19-2019 ENGINEER: Tommy</p>		<p>APPROVAL</p> <p>CUSTOMER: Feb-19-2019</p>	
<p>PROCESS SPECIFICATIONS:</p> <p>THIS DRAWING IS SUPPLIED FOR INFORMATION ONLY. DESIGN FEATURES, DIMENSIONS, MATERIALS, FINISHES, AND TOLERANCES ARE SUBJECT TO CHANGE WITHOUT NOTICE. THE APPLICABLE CORPORATION, NO RIGHTS OR WARRANTIES ARE MADE BY THIS DRAWING. DIMENSIONS ARE SUBJECT TO NORMAL MANUFACTURING VARIATIONS.</p>			
<p>SIZE TYPE: B DRAWING: RTS6BS14*3SHECk</p>		<p>SCALE: NONE SHEET: 1 OF: 1</p>	
<p>Amphenol</p> <p>Sine Systems - www.amphenol-sine.com 44724 Morley Drive Clinton Township, MI 48036</p> <p>ECO-MATE, PLUG, END CAP SIZE 14, 3 POS, SOCKET</p>			