



NS-205/NS-205R NS-205A

NS-105A

Unmanaged 5-port Industrial 10/100 Mbps Ethernet Switch

Features

- Automatic MDI/MDI-X crossover for plug-and-play
- Each port supports 10/100 and 1000 Mbps speed auto negotiation
- Full duplex IEEE 802.3x and half duplex backpressure flow control
- Store-and-forward architecture
- Supports +12 VDC ~ +56 VDC for NS-205A



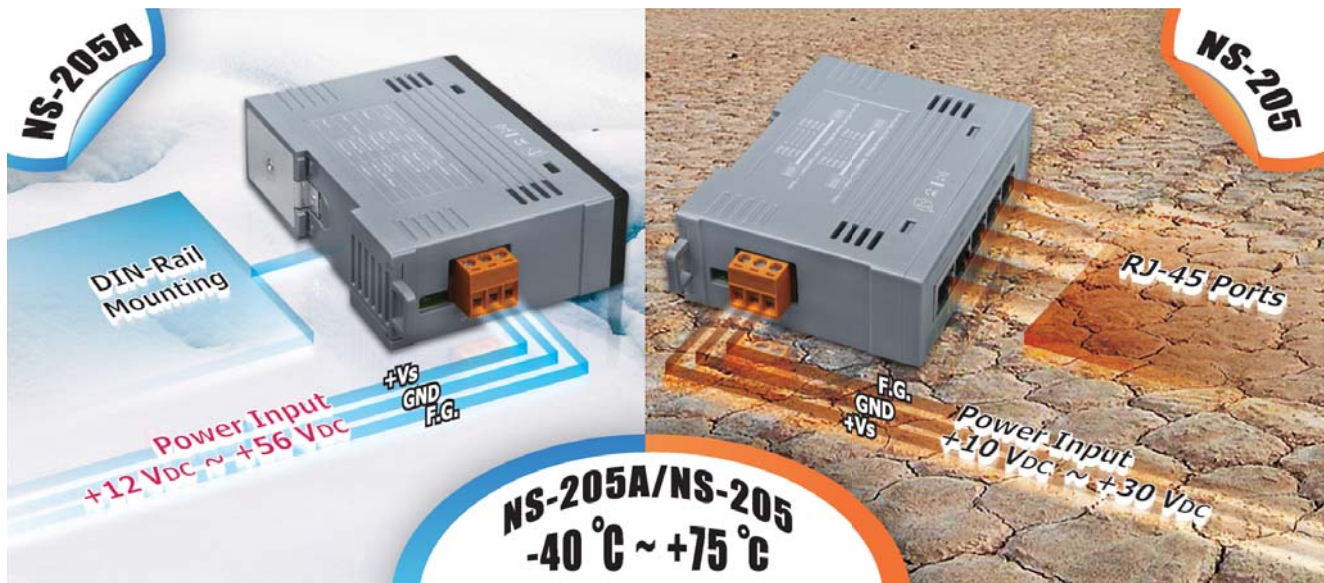
Introduction

The NS-205/NS-205A/NS-105A has 5 Ethernet Switching ports that support 10/100 Base-TX, with a 10/100M auto-negotiation feature and auto MDI/MDI-X function. It can connect 5 workstations and automatically switches the transmission speed (10 Mbps or 100 Mbps) for corresponding connections. The flow control mechanism is also negotiated. There is activity/link/data rate LEDs for each port to aid trouble-shooting. Port connectors are shielded RJ-45. It contains "soft start" function with overload protection, high-low voltage protection. The width of the NS-205/NS-205A is just 33 mm, so it can be used where space is limited.

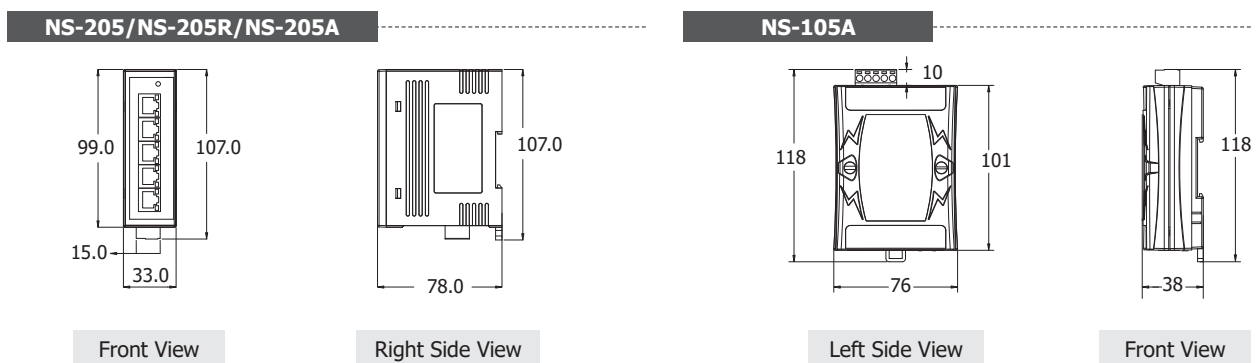
The NS-205A/NS-105A provides +12 VDC ~ +56/53 VDC power input to fit various power source.

Specifications

Model	NS-205	NS-205R	NS-205A	NS-105A
LED Indicators				
Status	Power, Link/Act, 10/100M			
Ethernet				
Ports	5 x RJ-45, 10/100Base-TX			
Standards	IEEE 802.3, 802.3u, 802.3x			
Processing Type	Store & forward; wire speed switching			
MAC Table	1024		2048	
Frame Buffer Memory	256 Kbit		768 Kbit	
Flow Control	IEEE 802.3x flow control		IEEE 802.3x flow control, back pressure flow control	
Isolation	1500 Vrms 1 minute			
Power				
Reverse Polarity Protection	Yes			
Input Range	+10 ~ +30 VDC (Non-isolated)		+12 ~ +56 VDC (Non-isolated)	+12 ~ +53 VDC (Non-isolated)
Consumption	0.1 A @ 24 VDC			
Mechanical				
Casing	Plastic			
Dimensions (mm)	33 x 107 x 78 (W x L x H)			76 x 118 x 38 (W x L x H)
Installation	DIN-Rail Mounting			
Environment				
Operating Temperature	-40 °C ~ +75 °C			
Storage Temperature	-40 °C ~ +85 °C			
Humidity	10% ~ 90% RH, non-condensing			



Dimensions (Units: mm)



Ordering Information

NS-205 CR	Unmanaged 5-port Industrial Ethernet Switch (RoHS)
NS-205R CR	Unmanaged 5-port Industrial 10/100 Mbps Ethernet Switch with conformal coating (RoHS)
NS-205A CR	Unmanaged 5-port Industrial Ethernet Switch with Power Input +12 VDC ~ +56 VDC (RoHS)
NS-105A CR	Unmanaged 5-port Industrial Ethernet Switch with Power Input +12 VDC ~ +53 VDC (RoHS)

Accessories

GPSU06U-6 CR	Power Supply, 110~240 VAC to 24 VDC/0.25 A, 6 W, two pins USA plug (RoHS)
GPSU06E-6 CR	Power Supply, 110~240 VAC to 24 VDC/0.25 A, 6 W, two pins EURO plug (RoHS)
MDR-20-24 CR	Power Supply, 85~264 VAC to 24 VDC/1 A, 24 W, DIN-rail mounting (RoHS)
MDR-60-48 CR	Power Supply, 85~264 VAC to 48 VDC/1.25 A, 60 W, DIN-rail mounting (RoHS)